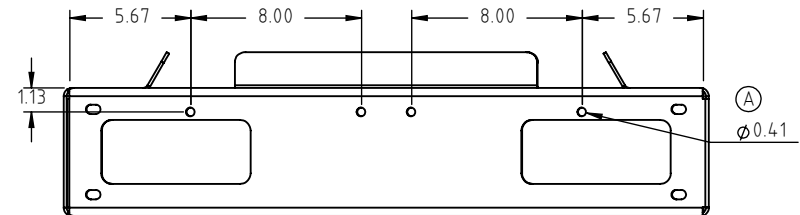
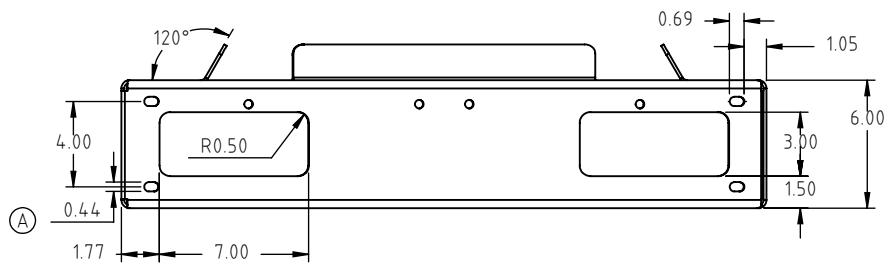
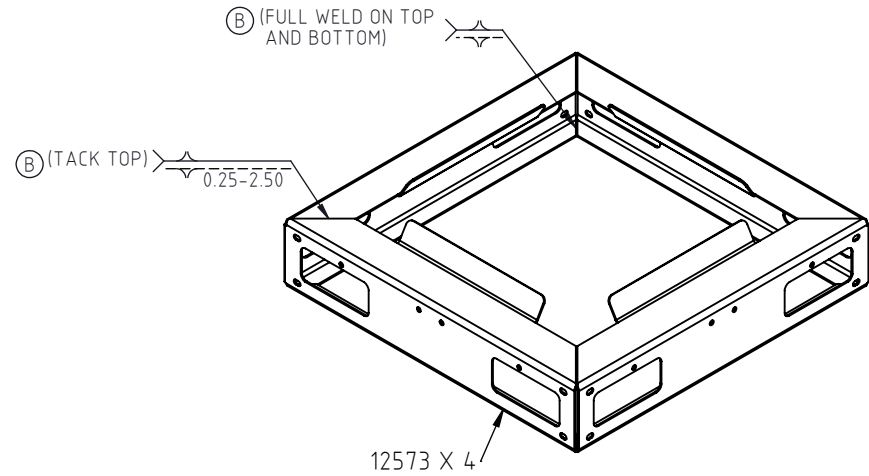
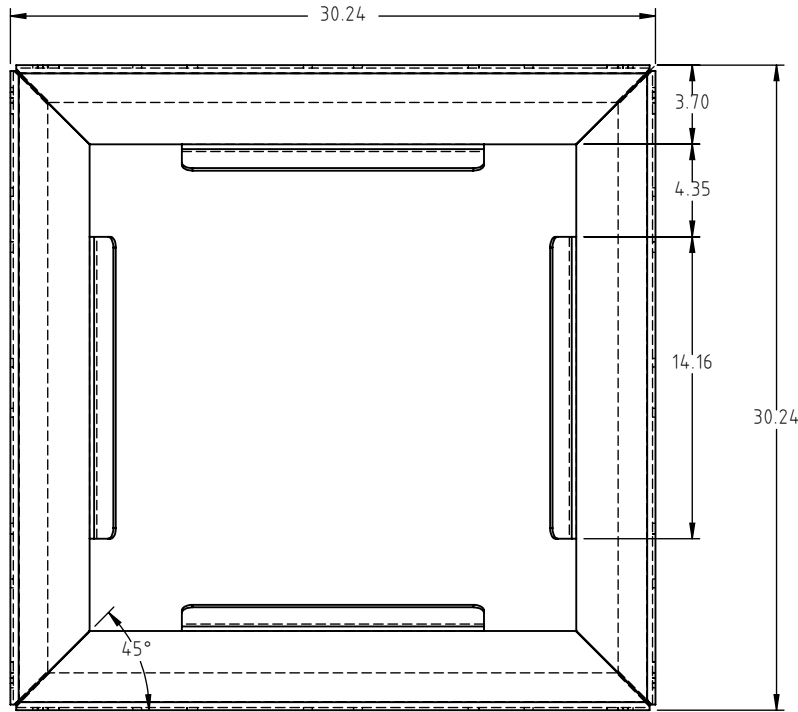


Copyright. All information furnished within this document, electronic file or design correspondence is the property of Den Hartog industries, Inc. and shall not be used, disclosed to others or copied without the expressed written consent of Den Hartog Industries, Inc.



B	WELD SYMBOLS ADDED/CLARIFIED	ADH 9/15/10	2085	DRAWN / DATE ADH 8/20/08	MATERIAL 1.) SHEET, 10 GA MILD STEEL 2.) CUT FROM S-10GA
A	SLOTS/HOLES FOR ACCESSORIES ADDED TO PRINT	ADH 2/25/09	1812	APPRD. / DATE REH 8/25/08	
REV	DESCRIPTION	BY / DATE	CCN		
ALL DIMENSIONS ARE IN DECIMAL INCHES TOLERANCES UNLESS OTHERWISE SPECIFIED		THIRD ANGLE PROJECTION ANSI 14.5M		SHOT WEIGHT:	NOTES:
POLYETHYLENE		METAL DECIMAL ± .125" FRACTION ± 1/4" ANGLE ± 1°		SHIPPING WEIGHT: 50 LBS	
±1% @ 68° F				FINISH: POWDER COATING, BLACK TILE, 4.0012	



Den Hartog
INDUSTRIES, INC.

Ace Roto-Mold Injection Molding Blow Molding Sowjoy

4010 HOSPERS DRIVE S. BOX 425, HOSPERS, IOWA 51238-0421

DESCRIPTION
SKID WELDMENT FOR 70 & 120 GALLON TOTES

SCALE
N.S.

PART NO.
ST70/120-SK