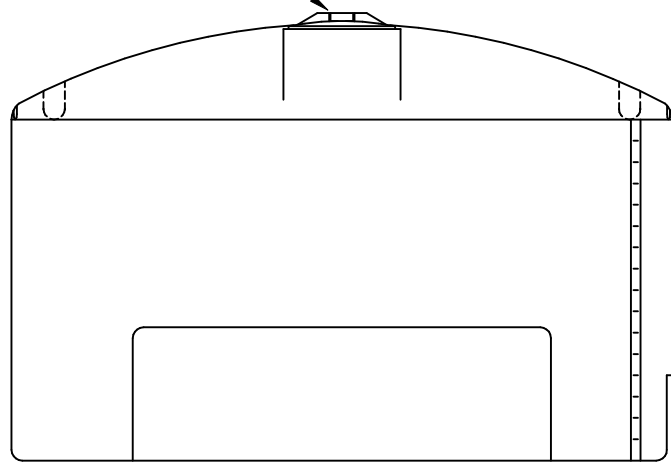


PROPRIETARY DATA

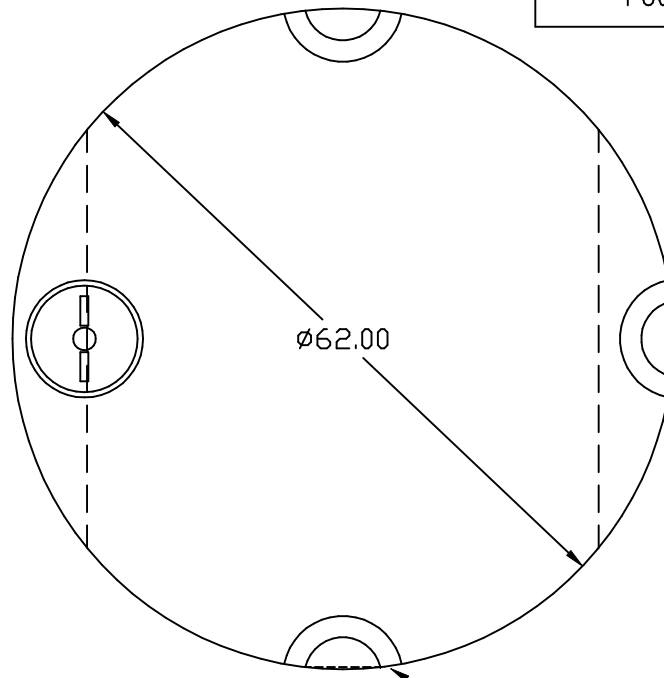
PROPERTY OF ACE ROTO-MOLD MFG., INC. INFORMATION FURNISHED HEREIN IS THE PROPERTY OF ACE ROTO-MOLD MFG., INC. AND SHALL NOT BE USED, DISCLOSED TO OTHERS, OR COPIED WITHOUT THE EXPRESSED WRITTEN CONSENT OF ACE ROTO-MOLD MFG., INC. ALL RIGHTS RESERVED.

PU0450-62

8 INCH LID

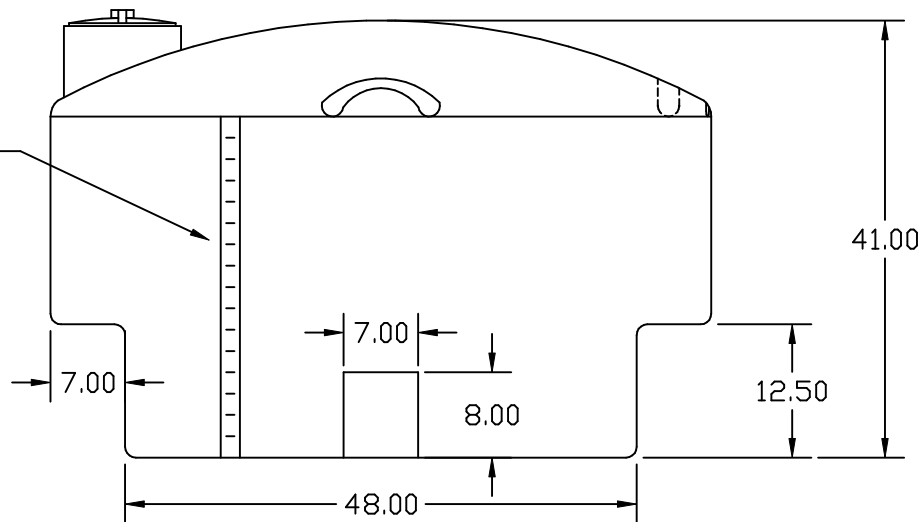


FLAT FOR FITTING 2 INCH STANDARD



3x TIE DOWNS

GALLON MARKERS



41.00

12.50

7.00

8.00

7.00

48.00

DRAWN / DATE

DHJ 4/24/03

MATERIAL

HDPE OR EQUIVALENT
REFERENCE MATERIAL DATA SHEET
FOR SPECIFIC PROPERTIES.

APPRD. / DATE

ADH 11/14/07



ACE ROTO-MOLD

A DIVISION OF DEN HARTOG INDUSTRIES, INC.
4018 HWY. 60 BLVD., BOX 421, HOSPERS, IOWA 51238

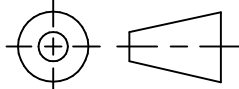
CLIENT / DESCRIPTION

450 GALLON PICKUP TANK

ALL DIMENSIONS ARE IN DECIMAL INCHES
TOLERANCES UNLESS OTHERWISE SPECIFIED

\pm 1% @ 68° F

THIRD ANGLE PROJECTION
ANSI 14.5M



NOTES:

1. SHOT WEIGHT 102 LBS.

SCALE

N.S.

PART NO.

PU0450-62