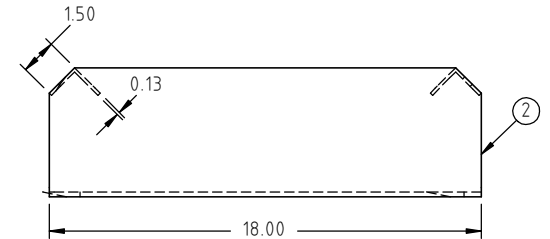
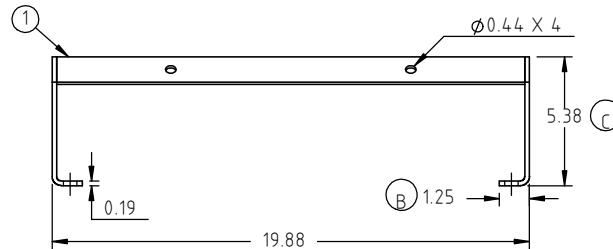
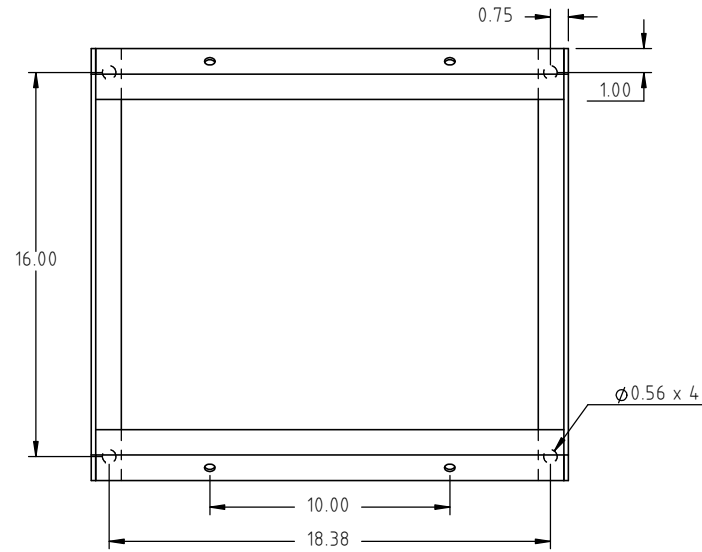


Copyright. All information furnished within this document, electronic file or design correspondence is the property of Den Hartog industries, Inc. and shall not be used, disclosed to others or copied without the expressed written consent of Den Hartog Industries, Inc.

KEY	PART NUMBER	DESCRIPTION	QTY.
1	SJHZ0025C-1	ANGLE STEEL	2
2	SJHZ25-55C-8	SIDE PANEL	2



E	HZ0025-CSBS AND BB5/16X3BAG-4 DETAILS REMOVED FROM PRINT.	ADH 8/26/15	3115
D	WEIGHT, FINISH, TEMPLATE UPDATED AND ADDED TO PRINT, 18.00 LBS WAS 20.00 LBS, 0.75" WAS 0.50".	ADH 1/18/12	2354
C	5.38 WAS 5.00, BOLT BAG AND BANDS ADDED TO TABLE	ADH 5/13/09	1862
B	DRAWING DIMENSION 19.88 WAS 19.75	ADH 2/4/08	1584
A	TOLERANCE WAS 1% @ 68°F	GWC 3/14/07	
REV	DESCRIPTION	BY / DATE	CCN

DRAWN / DATE	MATERIAL
ADH 7/30/07	
APPRD. / DATE	
REH 11/26/07	



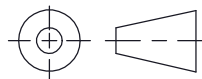
**Den Hartog**  
INDUSTRIES, INC.

Ace Roto-Mold Injection Molding Blow Molding Sowjoy

4010 HOSPERS DRIVE S. BOX 425, HOSPERS, IOWA 51238-0425

ALL DIMENSIONS ARE IN DECIMAL INCHES TOLERANCES UNLESS OTHERWISE SPECIFIED	
POLYETHYLENE	METAL
±1% @ 68°F	DECIMAL ± .125" FRACTION ± 1/4" ANGLE ± 1°

THIRD ANGLE PROJECTION  
ANSI 14.5M



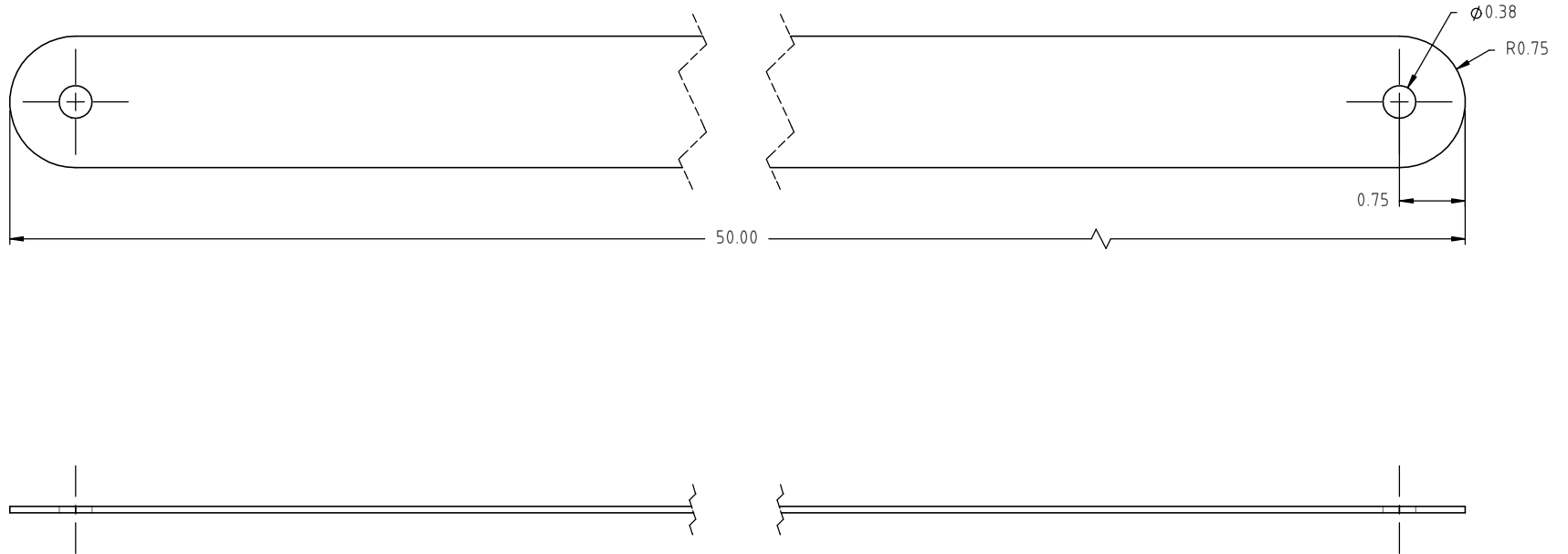
SHOT WEIGHT:	NOTES: E
	1.) 2 BANDS REQUIRED
SHIPPING WEIGHT: 18.00 LBS	
FINISH: POWDER COATING, BLACK TILE, 40012	

DESCRIPTION CRADLE FOR 25 GALLON HORIZONTAL

SCALE N.S.

PART NO. HZ0025-C

Copyright. All information furnished within this document, electronic file or design correspondence is the property of Den Hartog industries, Inc. and shall not be used, disclosed to others or copied without the expressed written consent of Den Hartog Industries, Inc.



				DRAWN / DATE NVE 7/7/06	MATERIAL 18GA STAINLESS STEEL, 1.5 X 50
				APPROD. / DATE ADH 8/30/12	
REV	DESCRIPTION	BY / DATE	CCN	SHOT WEIGHT:	NOTES:
				SHIPPING WEIGHT: 1.0 LBS.	
				FINISH:	
ALL DIMENSIONS ARE IN DECIMAL INCHES TOLERANCES UNLESS OTHERWISE SPECIFIED POLYETHYLENE ±1% @ 68°F		THIRD ANGLE PROJECTION ANSI 14.5M 			
METAL DECIMAL ± .125" FRACTION ± 1/4" ANGLE ± 1°					



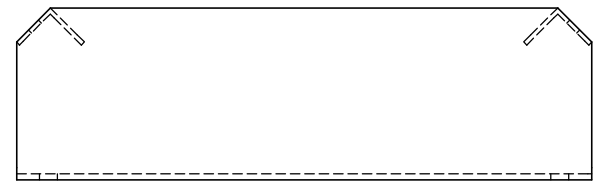
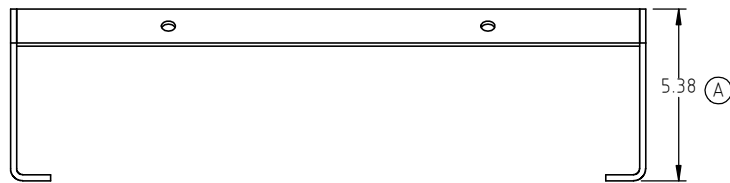
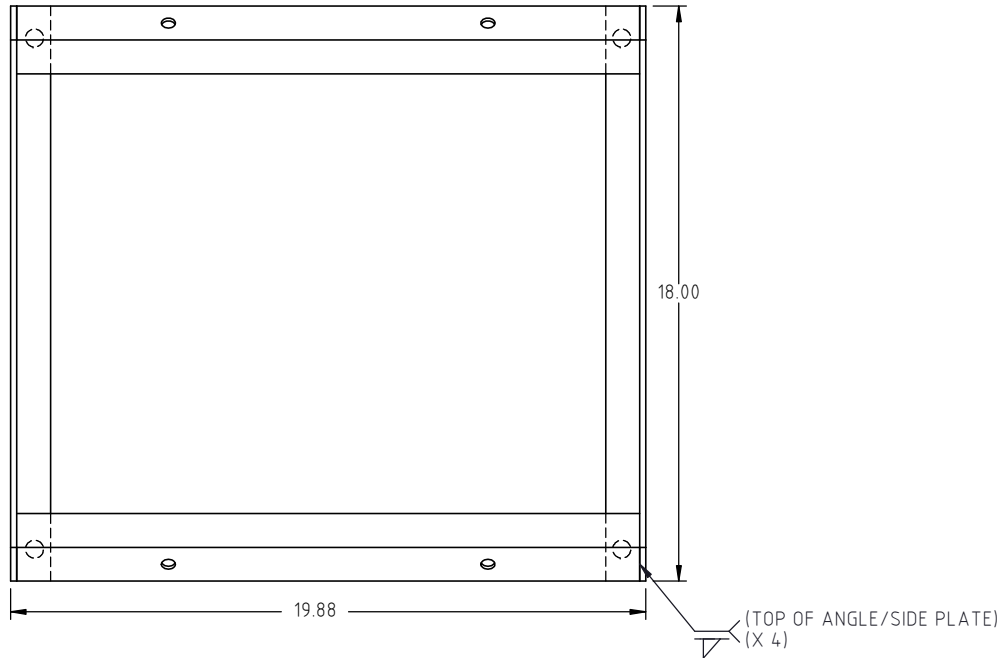
**Den Hartog**  
INDUSTRIES, INC.

Ace Roto-Mold Injection Molding Blow Molding Sowjoy

4010 HOSPERS DRIVE S. BOX 425, HOSPERS, IOWA 51238-0425

DESCRIPTION STEEL BAND FOR 25 GALLON HORIZONTAL TANK	
SCALE N.S.	PART NO. HZ0025-CSBS

Copyright. All information furnished within this document, electronic file or design correspondence is the property of Den Hartog industries, Inc. and shall not be used, disclosed to others or copied without the expressed written consent of Den Hartog Industries, Inc.



				DRAWN / DATE ADH 7/30/07	MATERIAL
B	WEIGHT/FINISH REMOVED FROM PRINT, DRAWING TEMPLATE/DESCRIPTION UPDATED	ADH 1/18/12	2354	APPRD. / DATE REH 11/26/07	
A	5.38 WAS 5.00	ADH 5/13/09	1862		
REV	DESCRIPTION	BY / DATE	CCN		
ALL DIMENSIONS ARE IN DECIMAL INCHES TOLERANCES UNLESS OTHERWISE SPECIFIED		THIRD ANGLE PROJECTION ANSI 14.5M		SHOT WEIGHT:	NOTES:
POLYETHYLENE		METAL		SHIPPING WEIGHT:	(B)
±1% @ 68°F		DECIMAL ± .125" FRACTION ± 1/4" ANGLE ± 1°		FINISH:	



**Den Hartog**  
INDUSTRIES, INC.

Acro Roto-Mold Injection Molding Blow Molding Sowjoy

4010 HOSPERS DRIVE S. BOX 425, HOSPERS, IOWA 51238-0425

DESCRIPTION  
(B) CRADLE FOR 25 GALLON HORIZONTAL-WELDMENT

SCALE  
N.S.

PART NO.  
HZ0025-C- WELDMENT