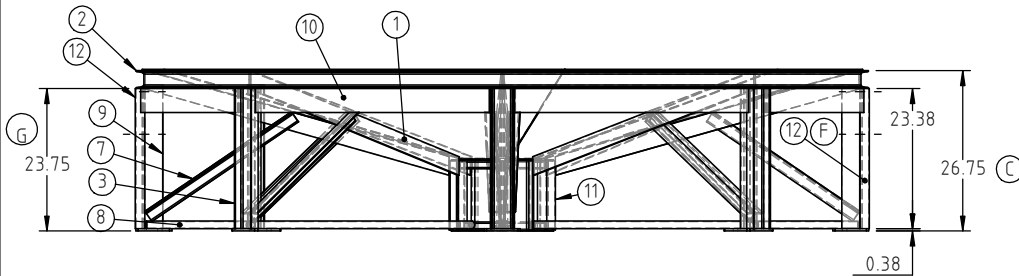
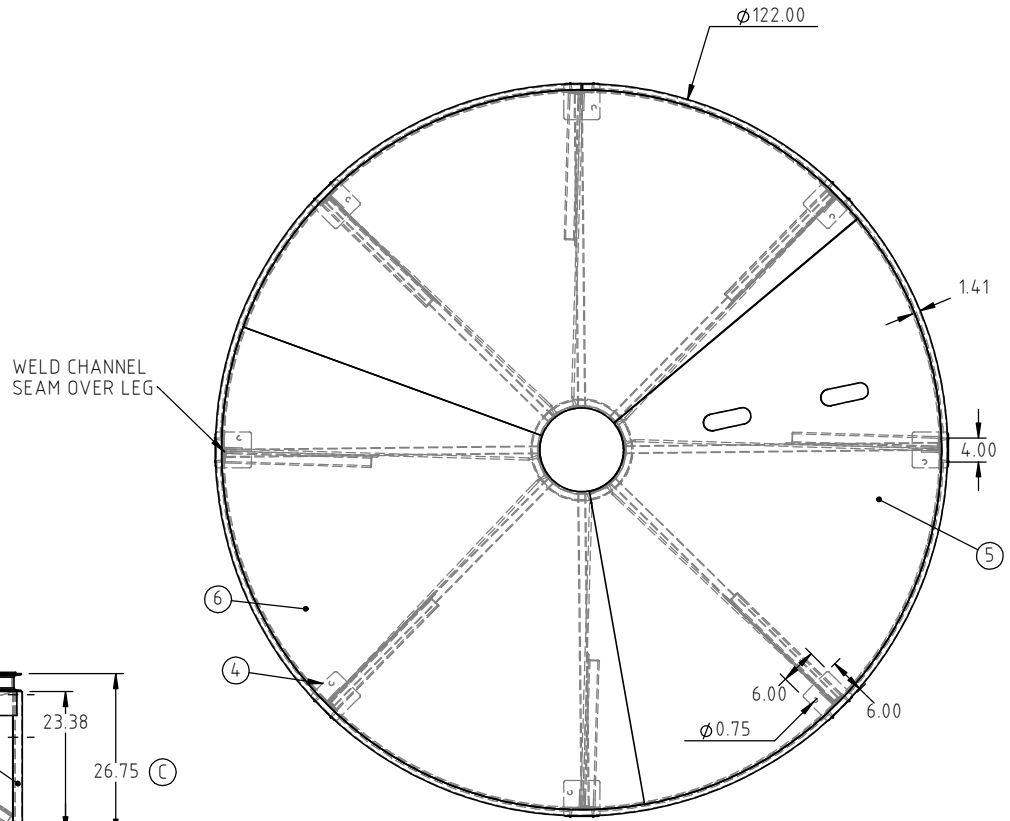
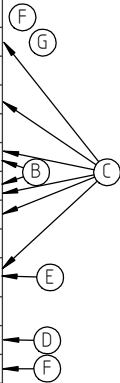


Copyright. All information furnished within this document, electronic file or design correspondence is the property of Den Hartog Industries, Inc. and shall not be used, disclosed to others or copied without the expressed written consent of Den Hartog Industries, Inc.

KEY	PART NUMBER	DESCRIPTION	QTY.
1	CB122-15ST-1	PAN SUPPORT STRAP	8
2	CB122-15ST-2	CHANNEL RING	1
3	CB122-15ST-3	STAND LEG	6
4	12467	LEG PAD	8
5	12474	PAN WITH HOLES	1
6	12475	PAN	2
7	CB122-15ST-9	ANGLE SUPPORT	8
8	CB122-15ST-10	BASE PIPE	8
9	CB122-15ST-11	LEG BRACE	8
10	CB122-15ST-12	TOP BRACE	8
11	12518	Ø14" CENTER STAND	1
12	CB122-15ST-13	STAND LEG-POWDER COAT	2



G	CLOCKING OF CB122-15-1 SHOWN ON PRINT & DIMENSION CORRECTED.	ADH 10/26/16	3312
F	HOLES FOR POWDER COATING ADDED TO TWO LEGS COMPONENT TABLE UPDATED, WEIGHT, FINISH ADDED	ADH 7/22/11	2254
E	24" WAS 25"	ADH 1/22/09	1789
D	12518 WAS RAR-14 & CB122-15ST-6	ADH 12/7/07	1542
C	ADD ONE INCH TO OUTSIDE HEIGHT	DHJ 9/26/07	1466
B	PAN BOM INFORMATION UPDATED	ADH 8/30/07	1444
A	INCREASED DIAMETER	DHJ 5/31/07	
REV	DESCRIPTION	BY / DATE	CCN

DRAWN / DATE	MATERIAL
ADH 7/6/07	
APPRD. / DATE	
REH 7/18/07	



**Den Hartog**  
INDUSTRIES, INC.

Ace Roto-Mold Injection Molding Blow Molding Sowjoy

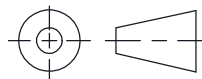
4010 HOSPERS DRIVE S. BOX 425, HOSPERS, IOWA 51238-0421

ALL DIMENSIONS ARE IN DECIMAL INCHES TOLERANCES UNLESS OTHERWISE SPECIFIED

POLYETHYLENE  
±1% @ 68°F

METAL  
DECIMAL ± .125"  
FRACTION ± 1/4"  
ANGLE ± 1°

THIRD ANGLE PROJECTION  
ANSI 14.5M



SHOT WEIGHT:  
SHIPPING WEIGHT: 1020.00 LBS

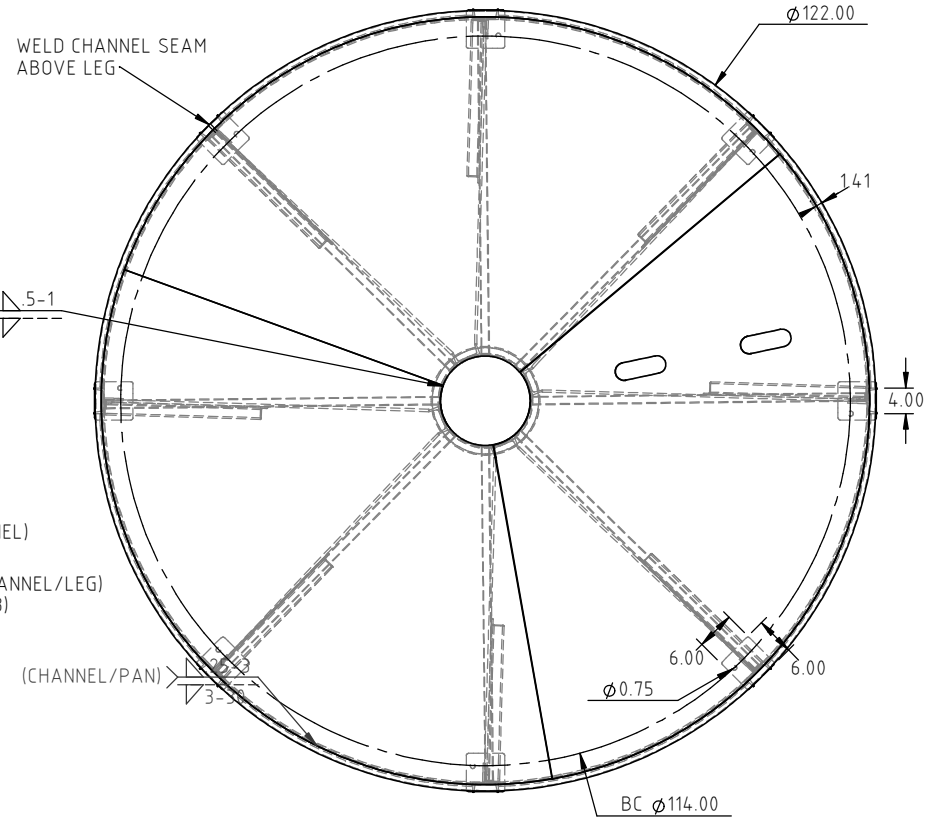
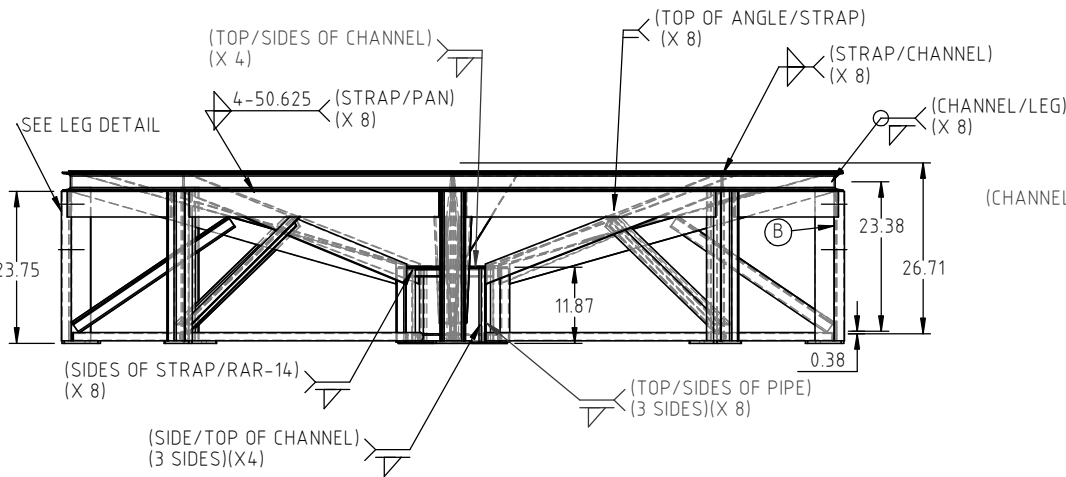
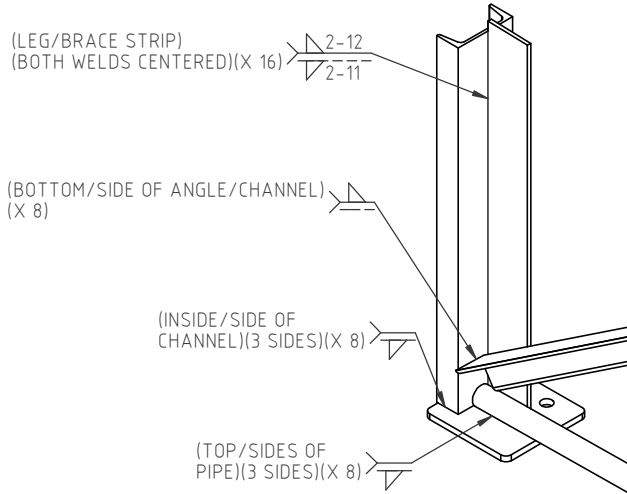
FINISH: POWDER COATING, BLACK TILE, 40012

NOTES:

DESCRIPTION	CONE BOTTOM STAND FOR Ø122" 15° TANKS	
SCALE	N.S.	PART NO. CB122-15ST

Copyright. All information furnished within this document, electronic file or design correspondence is the property of Den Hartog Industries, Inc. and shall not be used, disclosed to others or copied without the expressed written consent of Den Hartog Industries, Inc.

LEG DETAIL



Ⓒ	CLOCKING OF CB122-15-1 SHOWN ON PRINT & DIMENSION CORRECTED.	ADH 10/26/16	3312	DRAWN / DATE	MATERIAL
Ⓑ	POWDER COATING STAND LEGS ADDED, PART NUMBER/ DESCRIPTION UPDATED	ADH 7/22/11	2254	ADH 7/6/07	
Ⓐ	ADD ONE INCH TO OUTSIDE HEIGHT	ADH 10/3/07	1466	APPRD. / DATE	
REV	DESCRIPTION	BY / DATE	CCN	REH 7/18/07	
ALL DIMENSIONS ARE IN DECIMAL INCHES TOLERANCES UNLESS OTHERWISE SPECIFIED		THIRD ANGLE PROJECTION ANSI 14.5M		SHOT WEIGHT:	NOTES:
POLYETHYLENE	METAL DECIMAL ± .125" FRACTION ± 1/4" ANGLE ± 1°			SHIPPING WEIGHT:	
±1% @ 68°F				FINISH:	



**Den Hartog**  
INDUSTRIES, INC.

Ace Roto-Mold Injection Molding Blow Molding Sowjoy

4010 HOSPERS DRIVE S. BOX 425, HOSPERS, IOWA 51238-0421

DESCRIPTION	CONE BOTTOM STAND FOR ⌀122" 15° TANKS-WELDMENT	
SCALE	N.S.	PART NO. CB122-15ST-WELDMENT