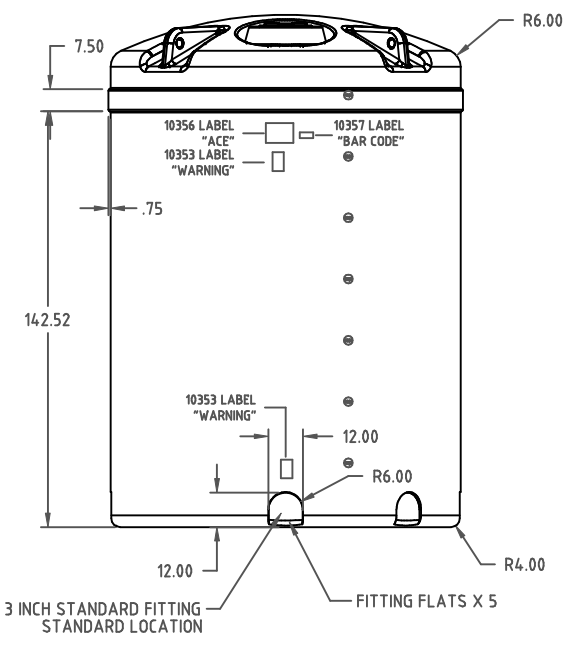
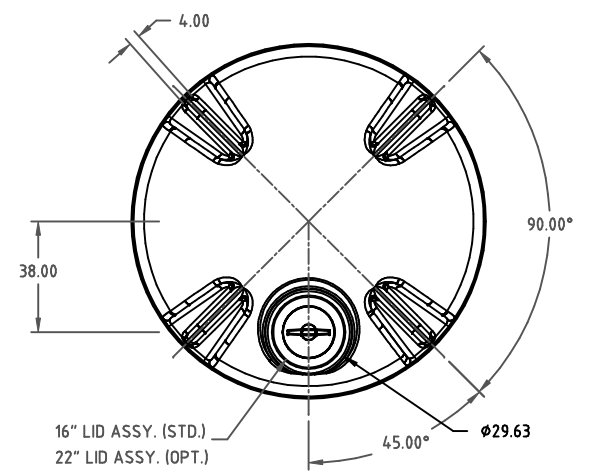
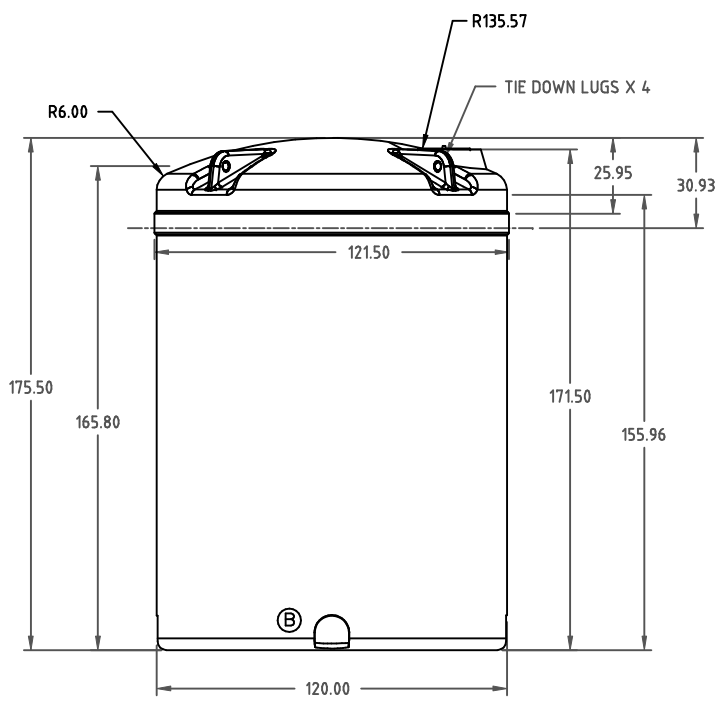
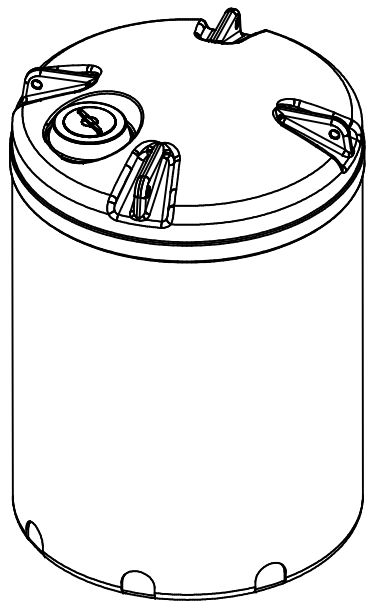



Copyright. All information furnished within this document, electronic file or design correspondence is the property of Den Hartog Industries, Inc. and shall not be used, disclosed to others or copied without the expressed written consent of Den Hartog Industries, Inc.



C	CHANGED STANDARD FITTING FROM 2" TO 3"	DHJ 3/31/10	2013	DRAWN / DATE	MATERIAL
B	CORRECT VIEW PERSPECTIVE. DRAWING TEMPLATE UPDATED, ADD THICKNESS	DHJ 6/25/09	1895	REH/11/3/00	
A	NEW FORMAT	DHJ 2/11/09		APPRD. / DATE	
REV	DESCRIPTION	BY / DATE	CCN	DHJ/11/3/00	
ALL DIMENSIONS ARE IN DECIMAL INCHES TOLERANCES UNLESS OTHERWISE SPECIFIED		THIRD ANGLE PROJECTION ANSI 14.5M		SHOT WEIGHT:	NOTES: ⓑ 1. .96 WALL @ FLAT
POLYETHYLENE		METAL		SHIPPING WEIGHT:	
±1% @ 68° F		DECIMAL ± .125" FRACTION ± 1/4" ANGLE ± 1°		FINISH:	



# Den Hartog

INDUSTRIES, INC.

Ace Roto-Mold Injection Molding Blow Molding Sowjoy

4010 HOSPERS DRIVE S. BOX 425, HOSPERS, IOWA 51238-0425

DESCRIPTION		7800 GALLON VERTICAL TANK	
SCALE	N.S.	PART NO.	VT7800-120