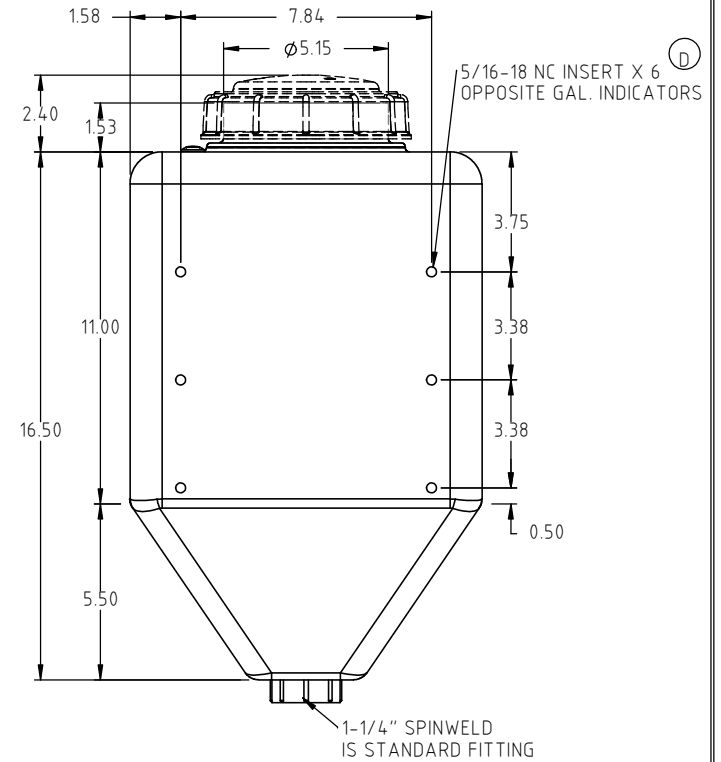
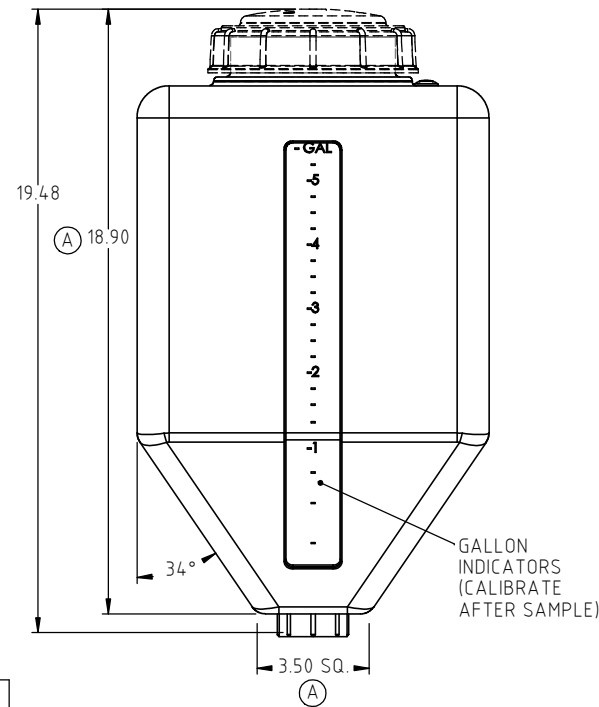
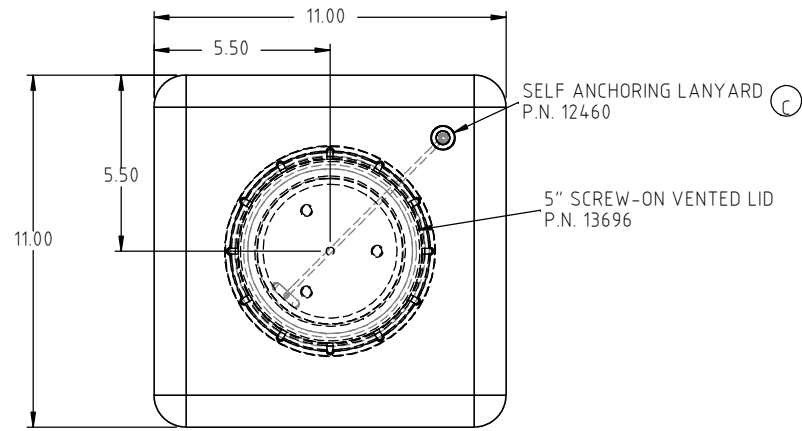


Copyright. All information furnished within this document, electronic file or design correspondence is the property of Den Hartog industries, Inc. and shall not be used, disclosed to others or copied without the expressed written consent of Den Hartog Industries, Inc.



D	5/16 INSERT TYPO CORRECTED.	ADH 9/28/16	3291
C	LANYARD LOCATION CORRECTED	ADH 5/13/15	3065
B	REVISION LEVEL CORRECTED.	ADH 4/10/15	3058
A	DIMENSIONS/DRAWING TEMPLATE UPDATED TO BE BLOW MOLDED	ADH 10/17/13	2720
REV	DESCRIPTION	BY / DATE	CCN

DRAWN / DATE	MATERIAL
REH 1/16/97	WHITE=80001
APPRD. / DATE	YELLOW=80001 80003
REH 1/16/97	
SHOT WEIGHT:	5 LBS
SHIPPING WEIGHT:	5.50 LBS
FINISH:	
NOTES:	1.) SHIP PART W/CAP INSTALLED



Den Hartog
INDUSTRIES, INC.

Ace Roto-Mold Injection Molding Blow Molding Sowjoy

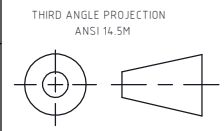
4010 HOSPERS DRIVE S. BOX 425, HOSPERS, IOWA 51238-0425

ALL DIMENSIONS ARE IN DECIMAL INCHES TOLERANCES UNLESS OTHERWISE SPECIFIED

POLYETHYLENE

±1% @ 68°F

METAL
DECIMAL ± .125"
FRACTION ± 1/4"
ANGLE ± 1°



DESCRIPTION	ACE 5 GAL. MINI-INDUCTOR TANK-5" LID
SCALE	N.S.
PART NO.	SPBM05-SQ5