

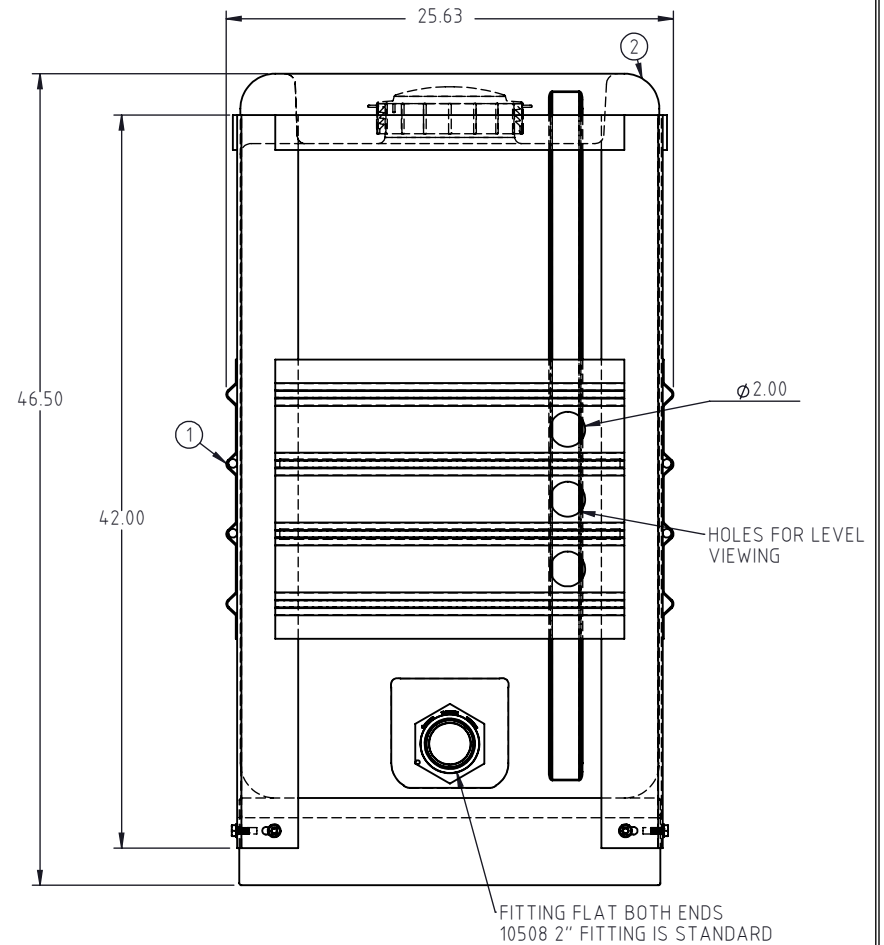
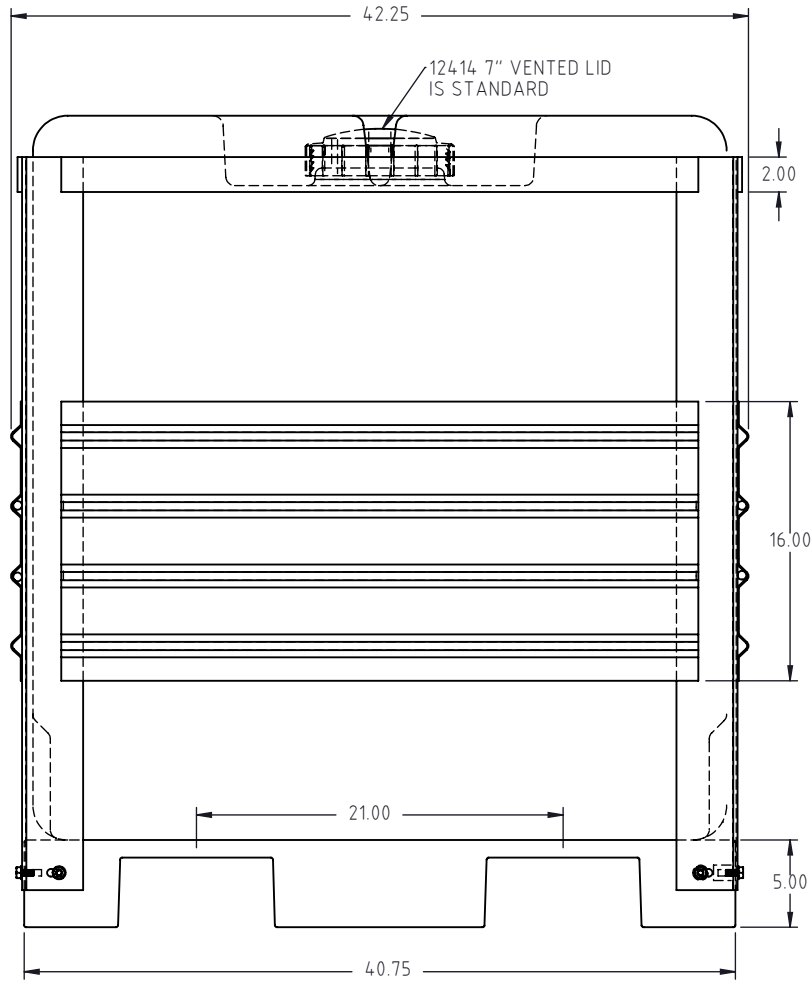
© DEN HARTOG INDUSTRIES, INC.

Copyright. All information furnished within this document, electronic file or design correspondence is the property of Den Hartog Industries, Inc. and shall not be used, disclosed to others or copied without the expressed written consent of Den Hartog Industries, Inc.

KEY	PART NUMBER	DESCRIPTION	QTY.
1	SP150-PPFR	SP, PALLET PACK FRAME AND PALLET	1
2	SP0150-PPTK	SP, PALLET PACK 150 GALLON	1

SP0150-PP

B



B	DRAWING TEMPLATE/PARTS TABLE ADDED	ADH 12/1/10	2123	DRAWN / DATE DHJ 3/13/06	MATERIAL
A	CHANGE TO 7" LID	GWC 6/29/07	1308	APPRD. / DATE GWC 6/29/07	
REV	DESCRIPTION	BY / DATE	CCN		
ALL DIMENSIONS ARE IN DECIMAL INCHES TOLERANCES UNLESS OTHERWISE SPECIFIED		THIRD ANGLE PROJECTION ANSI 14.5M		SHOT WEIGHT:	NOTES: 1.) NOM. WALL OF TANK= 0.320
POLYETHYLENE		METAL DECIMAL ± .125" FRACTION ± 1/4" ANGLE ± 1°		SHIPPING WEIGHT: 201.00 LBS	
±1% @ 68°F				FINISH:	



Den Hartog
INDUSTRIES, INC.

Ace Roto-Mold Injection Molding Blow Molding Sowjoy

4010 HOSPERS DRIVE S. BOX 425, HOSPERS, IOWA 51238-0425

DESCRIPTION 150 GALLON PALLET PACK ASSEMBLY	
SCALE N.S.	PART NO. SP0150-PP