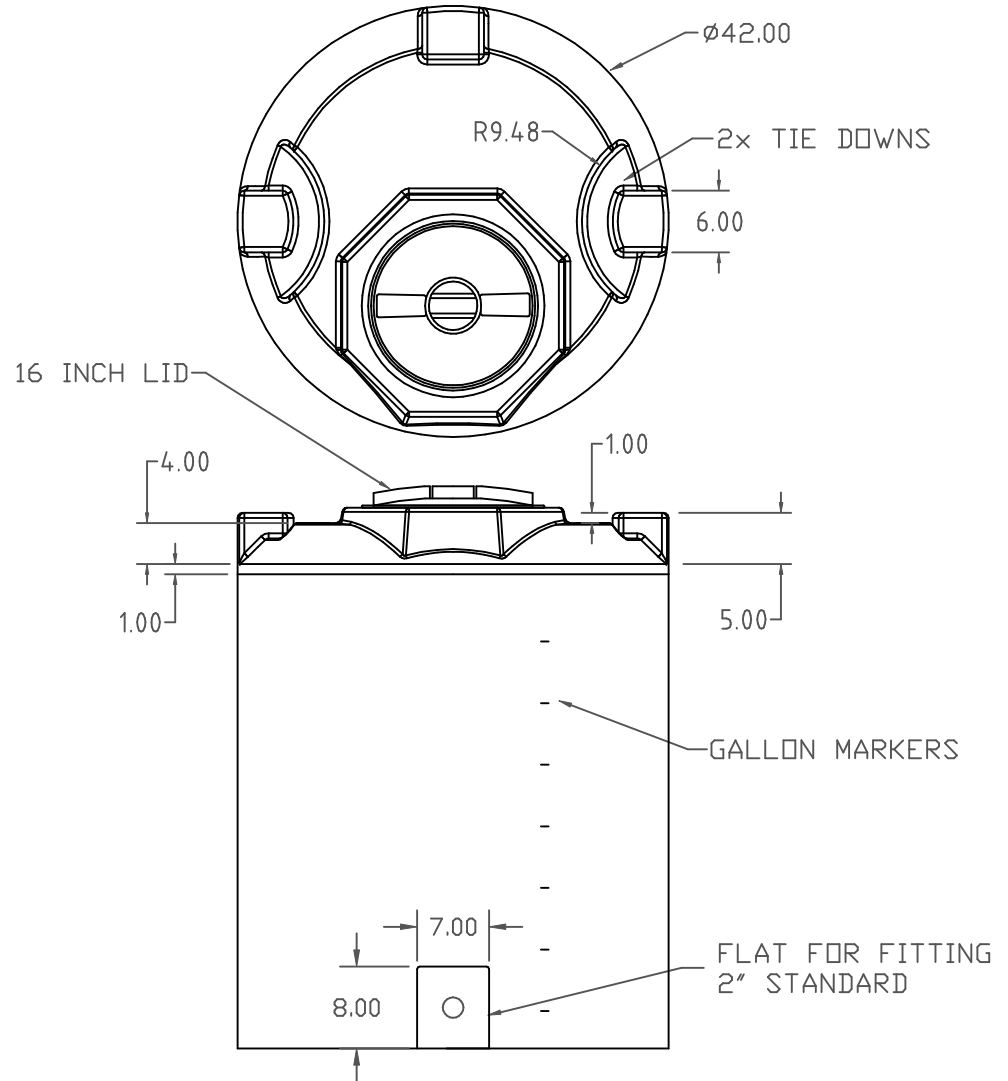
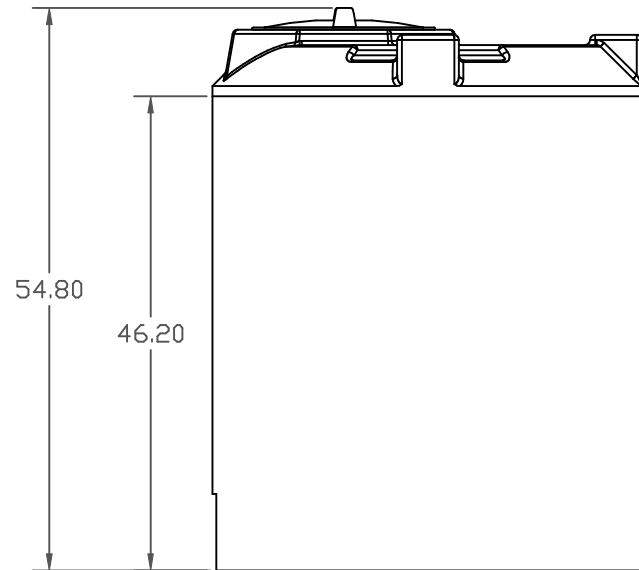



PROPRIETARY DATA

VT0295-42

PROPERTY OF ACE ROTO-MOLD MFG., INC. INFORMATION FURNISHED HEREIN IS THE PROPERTY OF ACE ROTO-MOLD MFG., INC. AND SHALL NOT BE USED, DISCLOSED TO OTHERS, OR COPIED WITHOUT THE EXPRESSED WRITTEN CONSENT OF ACE ROTO-MOLD MFG., INC. ALL RIGHTS RESERVED.



		DRAWN / DATE		MATERIAL	
		DHJ 7/13/07		HDPE OR EQUIVALENT REFERENCE MATERIAL DATA SHEET FOR SPECIFIC PROPERTIES.	
		APPRD. / DATE			
		REH/8/7/07			
REV	DESCRIPTION	DATE	APPRD	THIRD ANGLE PROJECTION ANSI 14.5M	
ALL DIMENSIONS ARE IN DECIMAL INCHES TOLERANCES UNLESS OTHERWISE SPECIFIED ± 1% @ 68° F				NOTES: 1. WHITE, BLACK, BLUE, GREEN, GREY, AND YELLOW COLOR 2. SHOT WEIGHT 72 LBS. 3. NOM. WALL @ .17	



**ACE ROTO-MOLD**  
 A DIVISION OF DEN HARTOG INDUSTRIES, INC.  
 4018 HWY. 60 BLVD., BOX 421, HOSPERS, IOWA 51238

CLIENT / DESCRIPTION	
295 GALLON VERTICAL TANK WITH 16 INCH LID	
SCALE	PART NO.
N.S.	VT0295-42