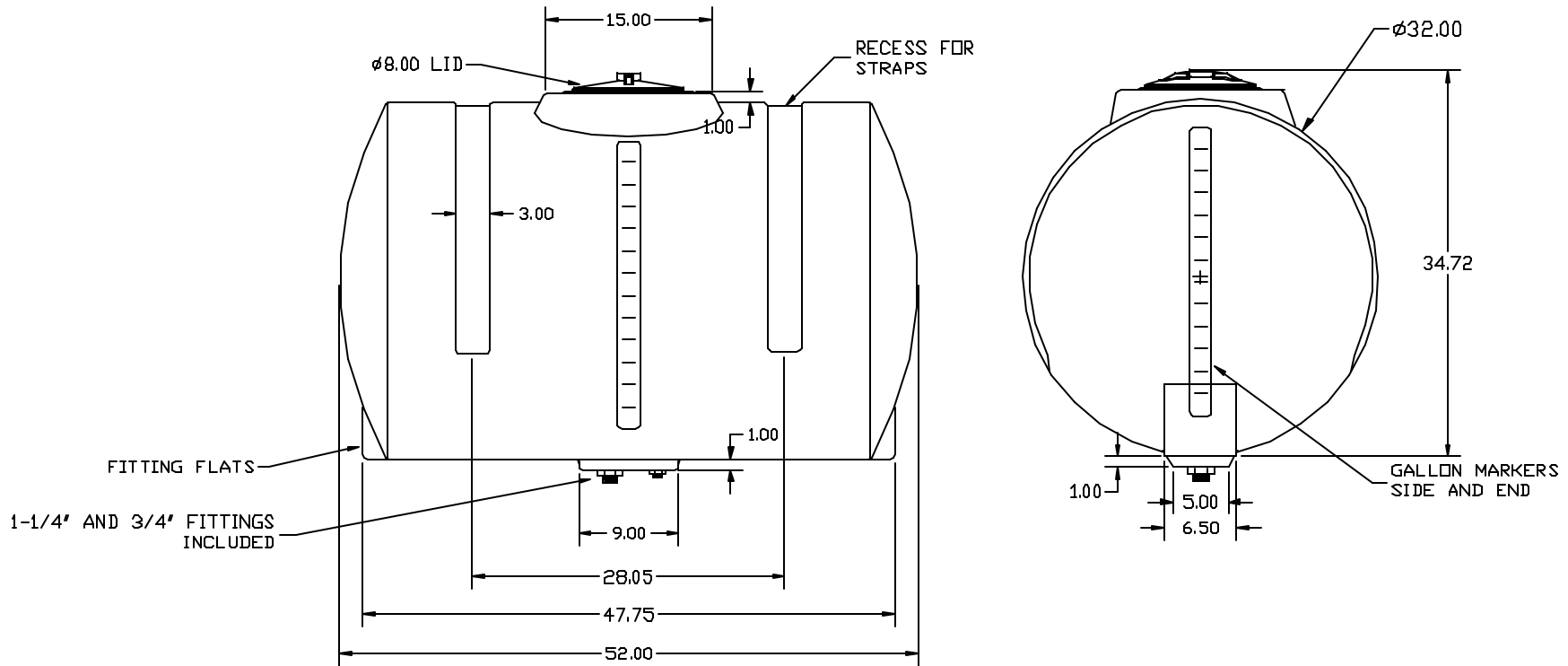

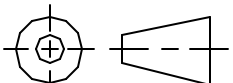


PROPRIETARY DATA

HZ0150-32

PROPERTY OF ACE ROTO-MOLD MFG, INC. INFORMATION FURNISHED HEREIN IS THE PROPERTY OF ACE ROTO-MOLD MFG, INC. AND SHALL NOT BE USED, DISCLOSED TO OTHERS, OR COPIED WITHOUT THE EXPRESSED WRITTEN CONSENT OF ACE ROTO-MOLD MFG, INC. ALL RIGHTS RESERVED.



		DRAWN / DATE NVE 6/8/15		MATERIAL		 A DIVISION OF DEN HARTOG INDUSTRIES, INC. 4018 HWY. 61 BLVD., BOX 421, HOSPERS, IOWA 51238	
		APPRD. / DATE DHJ 6/21/15		HDPE OR EQUIVALENT REFERENCE MATERIAL DATA SHEET FOR SPECIFIC PROPERTIES.			
REV	DESCRIPTION	DATE	APPRD	THIRD ANGLE PROJECTION ANSI 14.5M		CLIENT / DESCRIPTION 150 GALLON HORIZONTAL TANK 132" DIAI	
ALL DIMENSIONS ARE IN DECIMAL INCHES TOLERANCES UNLESS OTHERWISE SPECIFIED $\pm 1\%$ @ 68° F						NOTES: 1. NOM. WALL @ .211 2. WHITE OR COLDR 3. SHOT WEIGHT 48 LBS.	
				SCALE N.S.		PART NO. HZ0150-32	