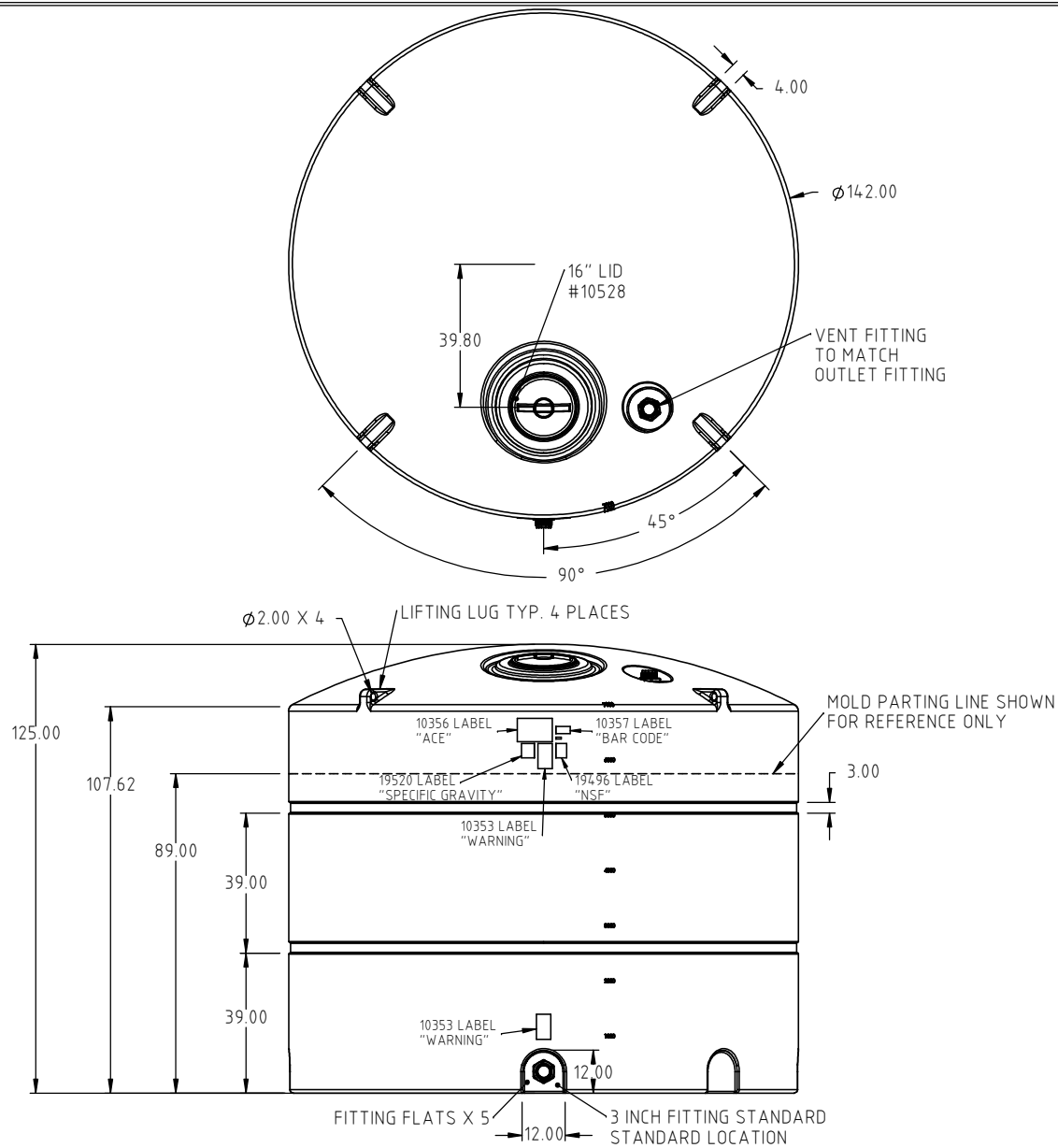



Copyright. All information furnished within this document, electronic file or design correspondence is the property of Den Hartog Industries, Inc. and shall not be used, disclosed to others or copied without the expressed written consent of Den Hartog Industries, Inc.



| | | | | | |
|---|-------------|---|-----|---------------------------------|---|
| | | | | DRAWN / DATE ADH 7/10/13 | MATERIAL 10538 2 MELT |
| | | | | APPROD. / DATE REH 8/7/13 | |
| REV | DESCRIPTION | BY / DATE | CCN | SHOT WEIGHT: 1750.00 LBS | NOTES: 1.) WHITE, BLACK, OR YELLOW COLOR 2.) 0.77 WALL @ FLAT |
| | | | | SHIPPING WEIGHT: 1752.00 LBS | |
| ALL DIMENSIONS ARE IN DECIMAL INCHES TOLERANCES UNLESS OTHERWISE SPECIFIED | | THIRD ANGLE PROJECTION ANSI 14.5M | | FINISH: | |
| POLYETHYLENE ±1% @ 68°F | | METAL DECIMAL ± .125" FRACTION ± 1/4" ANGLE ± 1° | | | |



Den Hartog

INDUSTRIES, INC.

Acra Roto-Mold Injection Molding Blow Molding Sowjoy

4010 HOSPERS DRIVE S. BOX 425, HOSPERS, IOWA 51238-0425

| | |
|--|------------------------|
| DESCRIPTION 7000 GALLON VERTICAL TANK WITH DOME TOP | |
| SCALE N.S. | PART NO. VT7000-142 |