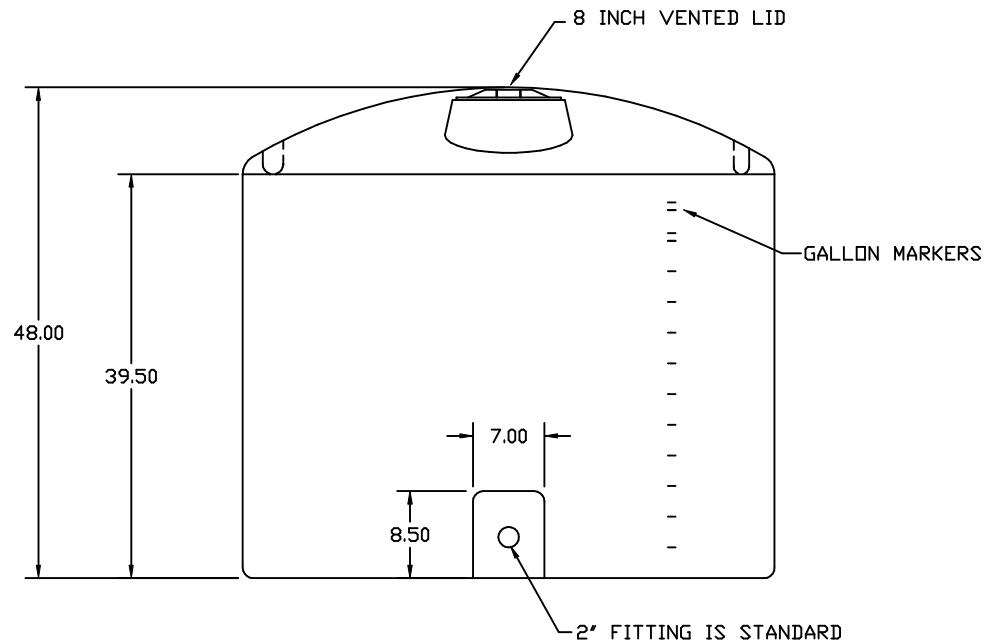
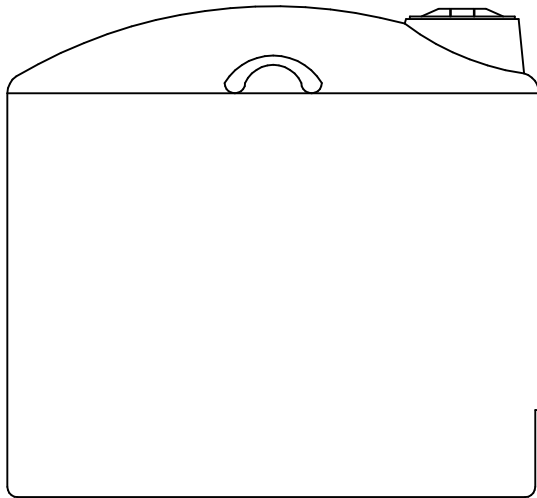
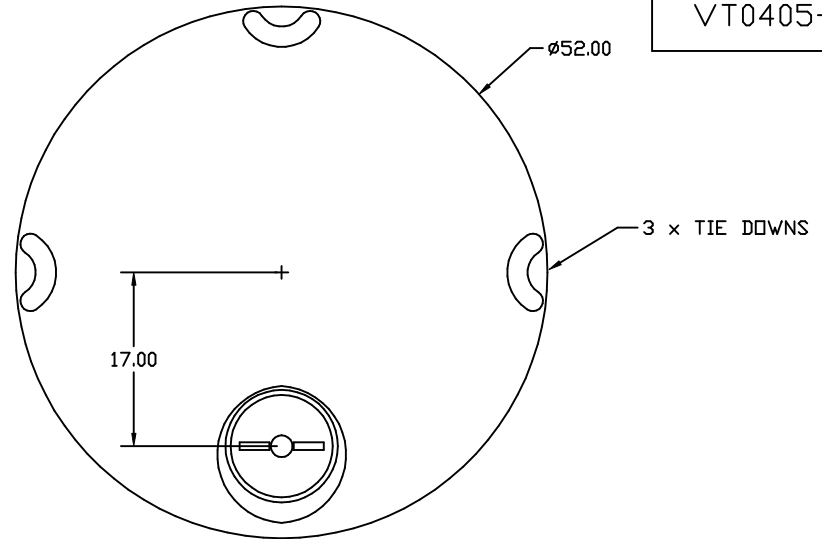


PROPRIETARY DATA

PROPERTY OF ACE ROTO-MOLD MFG., INC. INFORMATION FURNISHED HEREIN IS THE PROPERTY OF ACE ROTO-MOLD MFG., INC. AND SHALL NOT BE USED, DISCLOSED TO OTHERS, OR COPIED WITHOUT THE EXPRESSED WRITTEN CONSENT OF ACE ROTO-MOLD MFG., INC. ALL RIGHTS RESERVED.

VT0405-52



REV	DESCRIPTION	DATE APPRD.

ALL DIMENSIONS ARE IN DECIMAL INCHES
TOLERANCES UNLESS OTHERWISE SPECIFIED
 $\pm 1\% \text{ @ } 68^\circ \text{ F}$

DRAWN /DATE REH 1/17/07	THIRD ANGLE PROJECTION ANSI 14.5M
APPRD. /DATE ADH 11/19/07	

MATERIAL / SHOT WEIGHT POLYETHYLENE 90 LBS.	NOTES: .235 NOM. WALL

<p>Ace Roto-Mold A DIVISION OF DEN HARTOG INDUSTRIES, INC.</p>	
CLIENT / DESCRIPTION 405 GALLON VERTICAL TANK	
SCALE NONE	PART NO. VT0405-52