

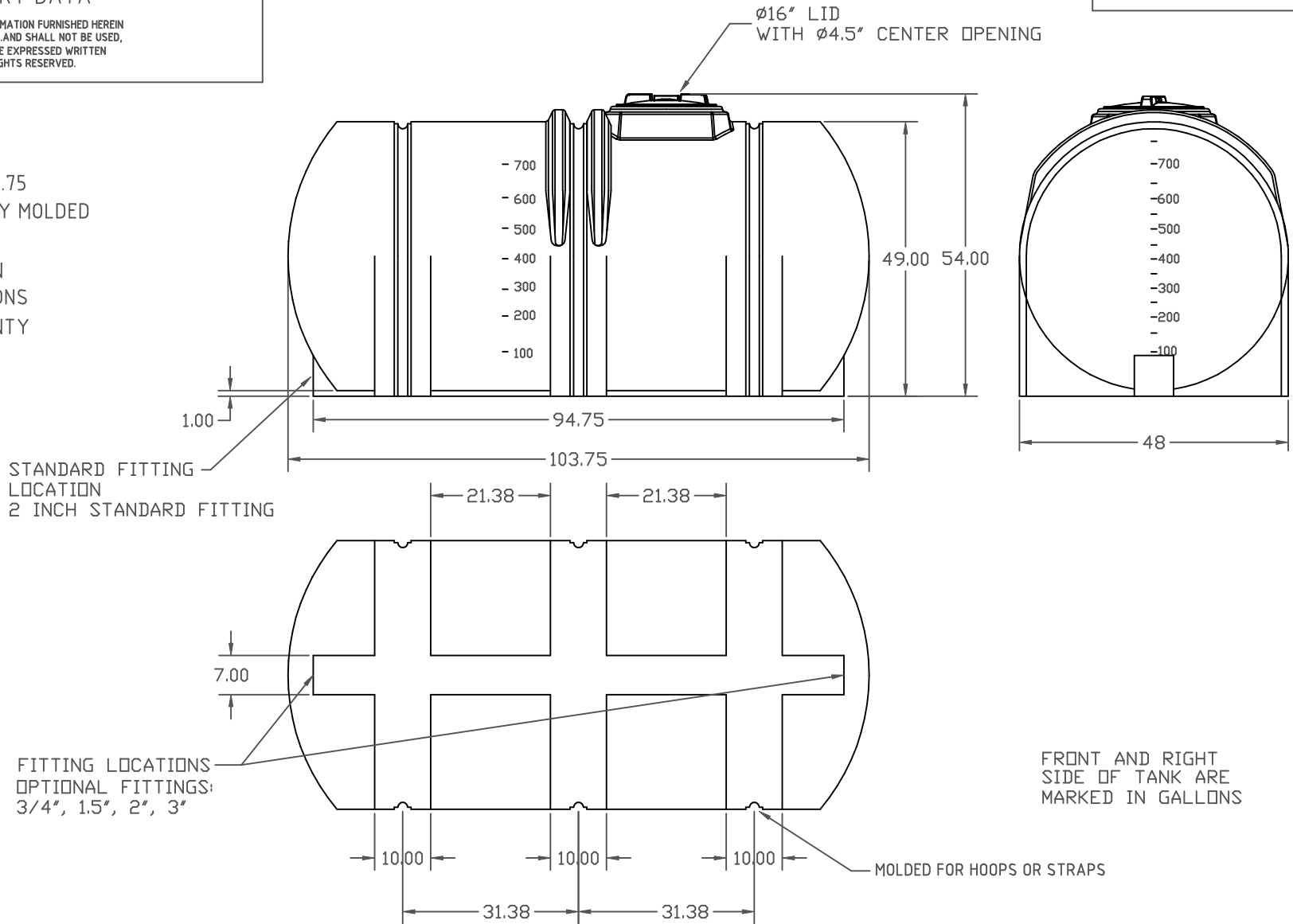
PROPRIETARY DATA

PROPERTY OF ACE ROTO-MOLD MFG., INC. INFORMATION FURNISHED HEREIN IS THE PROPERTY OF ACE ROTO-MOLD MFG., INC. AND SHALL NOT BE USED, DISCLOSED TO OTHERS, OR COPIED WITHOUT THE EXPRESSED WRITTEN CONSENT OF ACE ROTO-MOLD MFG., INC. ALL RIGHTS RESERVED.

FS0735-48

B

1. SPECIFIC GRAVITY IS 1.75
2. 1 PIECE ROTATIONALLY MOLDED
3. TRANSLUCENT
4. FDA APPROVED RESIN
5. CALIBRATED IN GALLONS
6. THREE YEAR WARRANTY
7. UV STABILIZED
8. FREE STANDING



			DRAWN / DATE DHJ 12/3/97	MATERIAL
B	CLEARIFY FITTING LOCATION	7/26/05 - DHJ	APPRD. / DATE ADH 11/9/07	HDPE OR EQUIVALENT REFERENCE MATERIAL DATA SHEET FOR SPECIFIC PROPERTIES.
A	ADDED SUPPORTING RIBS AT CENTER	7/26/05 - NVE		
REV	DESCRIPTION	DATE APPRD		
ALL DIMENSIONS ARE IN DECIMAL INCHES TOLERANCES UNLESS OTHERWISE SPECIFIED $\pm$ 1% @ 68° F			THIRD ANGLE PROJECTION ANSI 14.5M 	NOTES: 1. BLACK, WHITE, YELLOW OR DESERT TAN COLOR 2. SHOT WEIGHT 250 LBS. 3. NOM. WALL @ .350

**ACE ROTO-MOLD**  
 A DIVISION OF DEN HARTOG INDUSTRIES, INC.  
 4018 HWY. 60 BLVD., BOX 421, HOSPERS, IOWA 51238

CLIENT / DESCRIPTION	
735 GALLON LEG TANK	
SCALE	PART NO.
N.S.	FS0735-48