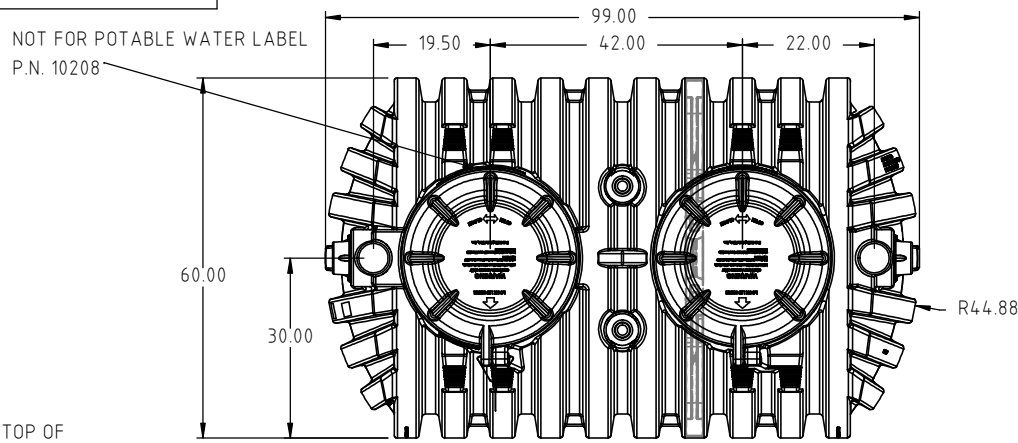


Copyright. All information furnished within this document, electronic file or design correspondence is the property of Den Hartog industries, Inc. and shall not be used, disclosed to others or copied without the expressed written consent of Den Hartog Industries, Inc.

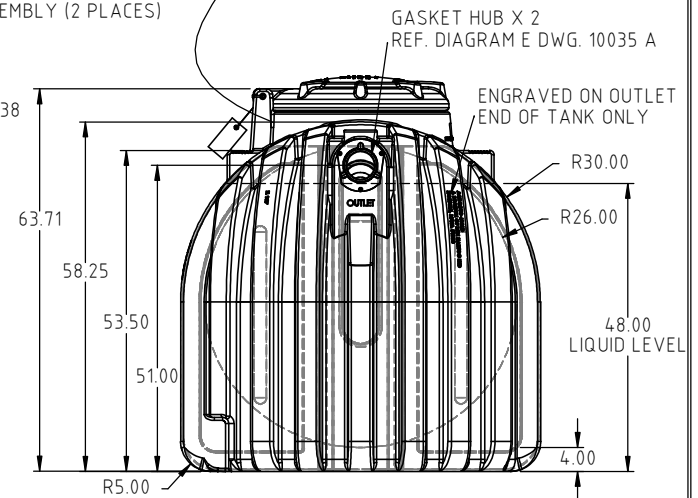
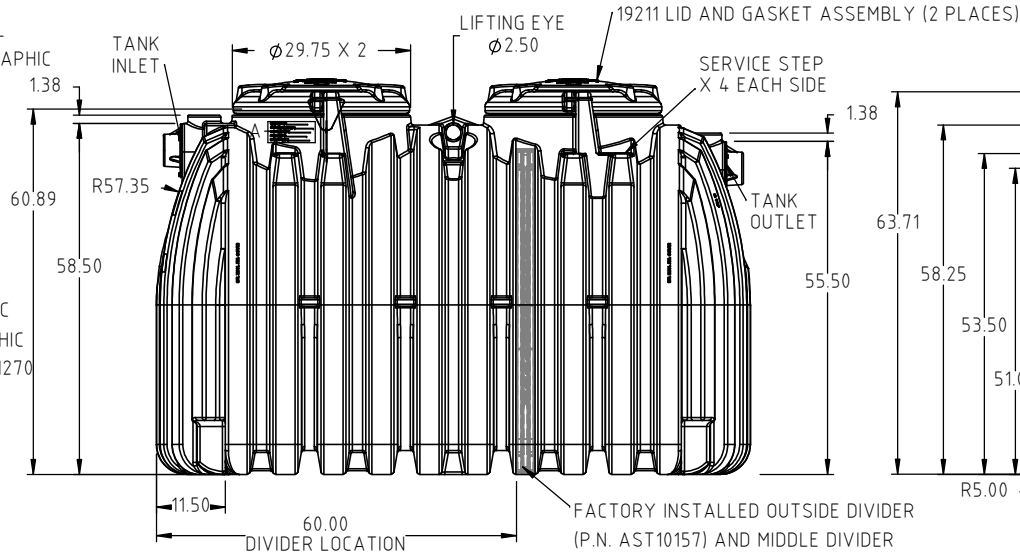
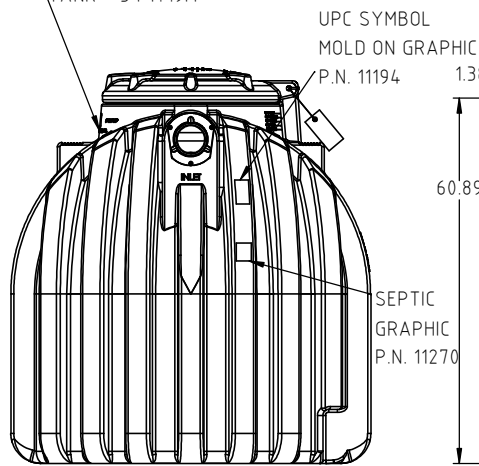
© REFERENCE PUBLICATION 10039 FOR SEPTIC TANKS OR PUBLICATION 10149 FOR CISTERN TANKS FOR SPECIFIC INSTALLATION GUIDELINES. DETAIL A SCALE 1:4



TANK CAPACITY _____
 DATE OF MANUFACTURE _____
 DATE OF ASSEMBLY _____
 SERIAL NUMBER _____
 STATE / LOCATION _____

ENGRAVED ON OUTLET END OF TANK ONLY

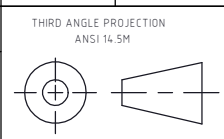
ENGRAVED
 MAX BURIAL DEPTH TO TOP OF
 TANK - 3 FT. .9M



E	PRINT DIMENSIONS/LAYOUT UPDATED.NSF GRAPHIC REMOVED.	ADH 2/28/17	3354
D	ADDED UPC & NSF GRAPHIC	5/29/07	
C	ADD PUBLICATION REF.	9/30/05	
B	DIVIDER FTG. REVISION	4/26/99	
A	GENERAL REVISION	1/11/99	
REV	DESCRIPTION	BY / DATE	CCN

DRAWN / DATE	MATERIAL
REH 11/1/97	SEE COMPONENTS
APPRD. / DATE	
REH 11/1/97	

ALL DIMENSIONS ARE IN DECIMAL INCHES TOLERANCES UNLESS OTHERWISE SPECIFIED
 POLYETHYLENE
 ±1% @ 68°F



SHOT WEIGHT:
 SHIPPING WEIGHT: 438.00 LBS
 FINISH:

NOTES:
 1.) TANK NOM. WALL @ .280
 2.) YELLOW COLOR



Den Hartog
 INDUSTRIES, INC.

Ace Roto-Mold Injection Molding Blow Molding Sowjoy

4010 HOSPERS DRIVE S. BOX 425, HOSPERS, IOWA 51238-0425

DESCRIPTION	1000 GAL. TWO COMPARTMENT SEPTIC TANK ASSEMBLY	
SCALE	N.S.	PART NO. AST-1000-2