

PROPRIETARY DATA

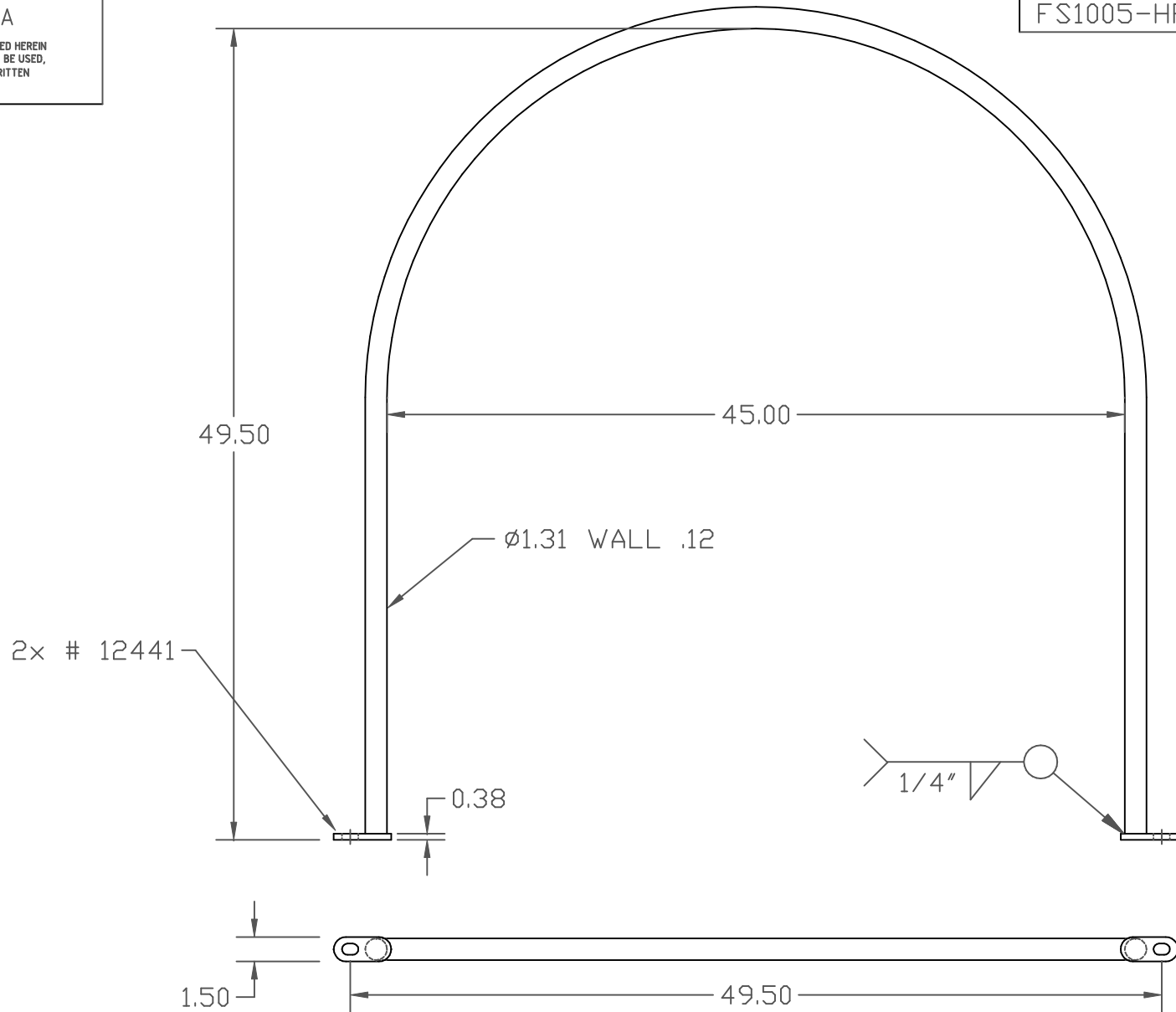
PROPERTY OF ACE ROTO-MOLD MFG., INC. INFORMATION FURNISHED HEREIN IS THE PROPERTY OF ACE ROTO-MOLD MFG., INC. AND SHALL NOT BE USED, DISCLOSED TO OTHERS, OR COPIED WITHOUT THE EXPRESSED WRITTEN CONSENT OF ACE ROTO-MOLD MFG., INC. ALL RIGHTS RESERVED.

FS1005-HPS

C

FS1005-HP | 4 PER SET

©



C	ADD TEXT BOX	4/2/07	GWC	DRAWN / DATE	MATERIAL
B	TOLERANCE WAS 1% @ 68° F	3/16/07	GWC	DHJ/1/29/03	
A	REVISE FOOT	3/16/07		APPRD. / DATE	17.5 LBS. 12 GA. MILD STEEL BLANK LENGTH 126"
REV	DESCRIPTION	DATE	APPRD	ADH/11/9/07	
ALL DIMENSIONS ARE IN DECIMAL INCHES TOLERANCES UNLESS OTHERWISE SPECIFIED DECIMAL +/- .125" FRACTION +/- 1/4" ANGLE +/- 2°				THIRD ANGLE PROJECTION ANSI 14.5M 	NOTES: 1. 4 REQ. 2. BLACK COLOR POWDER COATED

ACE ROTO-MOLD
 A DIVISION OF DEN HARTOG INDUSTRIES, INC.
 4018 HWY. 60 BLVD., BOX 421, HOSPERS, IOWA 51238

CLIENT / DESCRIPTION	
HOOP FOR 1005 GALLON LEG TANK	
SCALE	PART NO.
NONE	FS1005-HPS