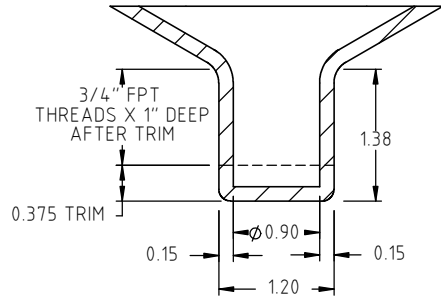


© DEN HARTOG INDUSTRIES, INC.

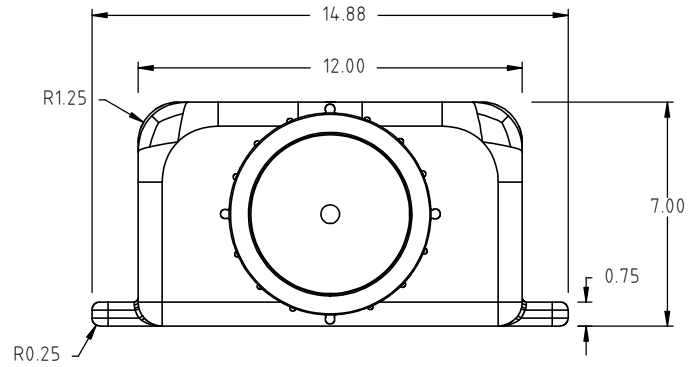
Copyright. All information furnished within this document, electronic file or design correspondence is the property of Den Hartog Industries, Inc. and shall not be used, disclosed to others or copied without the expressed written consent of Den Hartog Industries, Inc.

SPBM2.5-RT

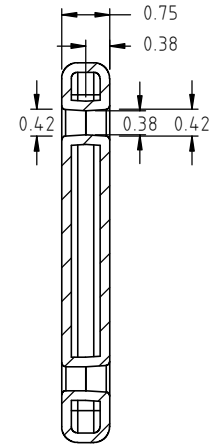
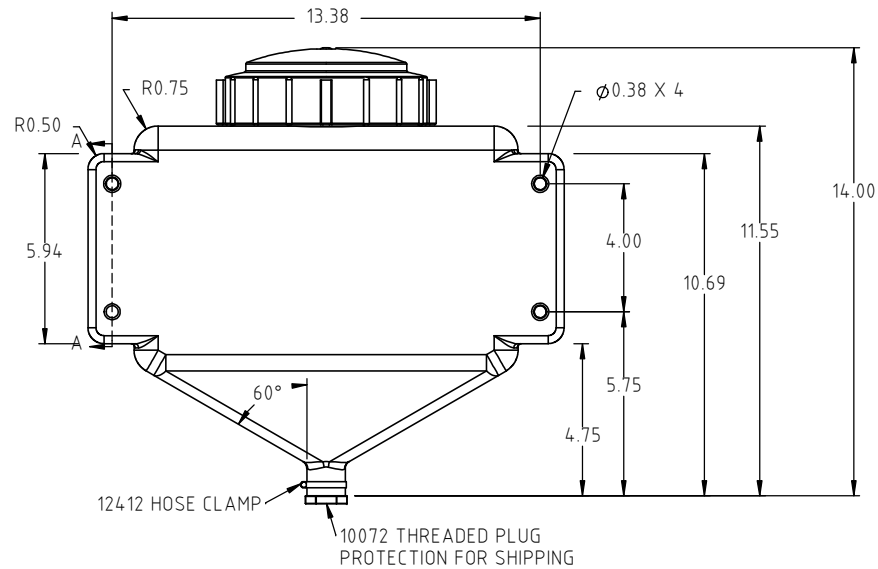
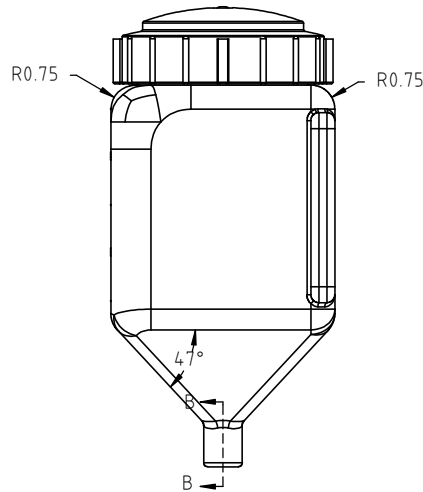
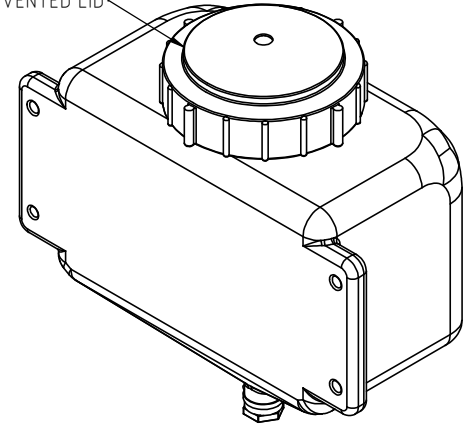
A



SECTION B-B  
SCALE 1 : 2



10522  
5" VENTED LID



SECTION A-A  
SCALE 1 : 3

				DRAWN / DATE ADH 6/25/13	MATERIAL EQUISTAR 5704
A	BLOW MOLDED P.N. CREATED FOR 2.50 GALLON WHITE/YELLOW TANKS ONLY	ADH 6/25/13	2641	APPRD. / DATE REH 6/25/13	
REV	DESCRIPTION	BY / DATE	CCN		
ALL DIMENSIONS ARE IN DECIMAL INCHES TOLERANCES UNLESS OTHERWISE SPECIFIED		THIRD ANGLE PROJECTION ANSI 14.5M		SHOT WEIGHT: 3.0 LBS	NOTES: 1.) WHITE OR YELLOW COLOR 2.) NOM. WALL = .150
POLYETHYLENE		METAL DECIMAL $\pm .125$ " FRACTION $\pm 1/4$ " ANGLE $\pm 1^\circ$		SHIPPING WEIGHT: 3.0 LBS	
$\pm 1\%$ @ 68°F				FINISH:	



**Den Hartog**  
INDUSTRIES, INC.

Ace Roto-Mold Injection Molding Blow Molding Sowjoy

4010 HOSPERS DRIVE S. BOX 425, HOSPERS, IOWA 51238-0425

DESCRIPTION 2-1/2 GALLON SPECIALTY TANK-BLOW MOLDED	
SCALE N.S.	PART NO. SPBM2.5-RT