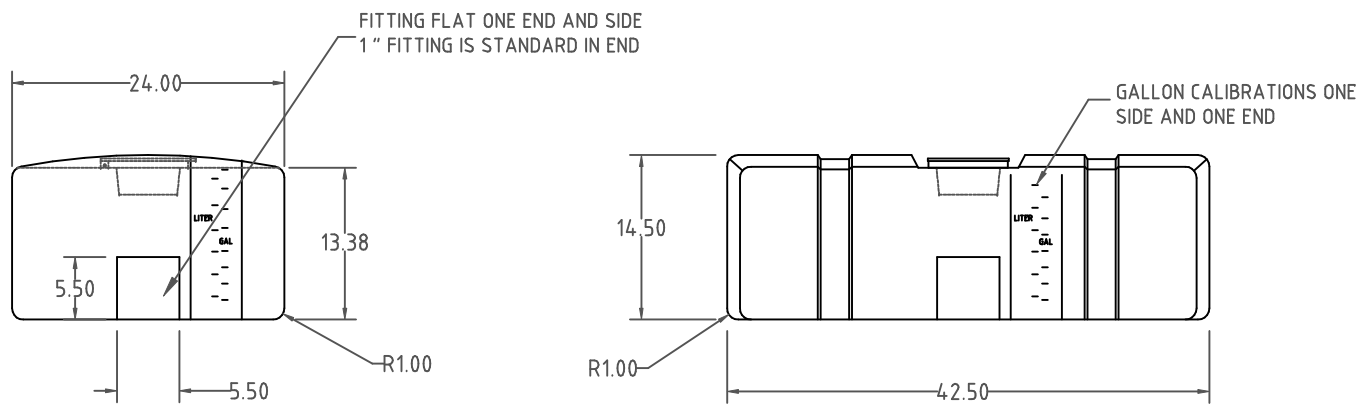
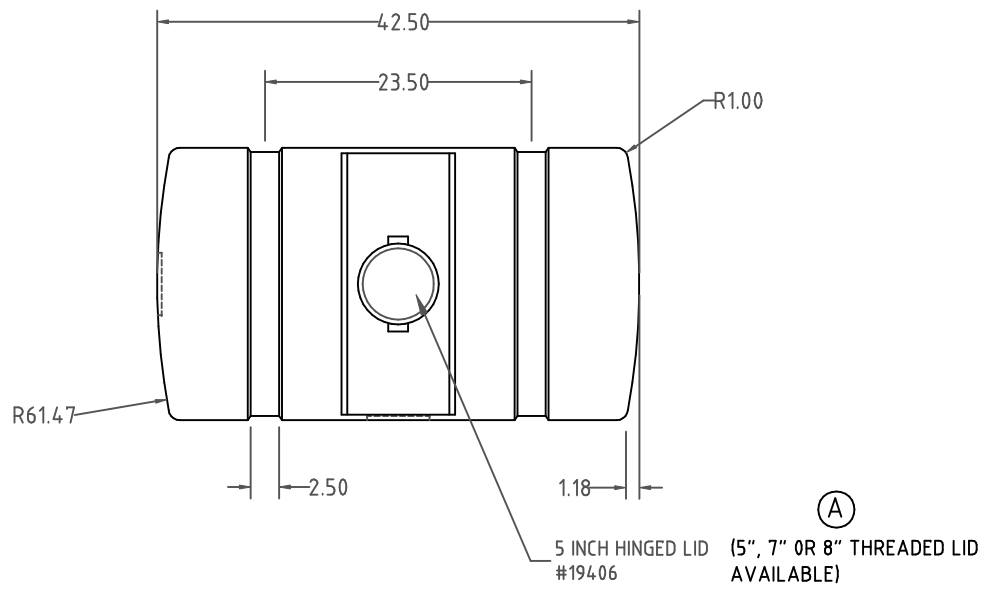


Copyright. All information furnished within this document, electronic file or design correspondence is the property of Den Hartog Industries, Inc. and shall not be used, disclosed to others or copied without the expressed written consent of Den Hartog Industries, Inc.



				DRAWN / DATE DHJ 6/14/06	MATERIAL 10420 3 MELT
A	5", 7" AND 8" LID ADDED	REH 10/14/10	2100	APPRD. / DATE REH 6/16/08	
REV	DESCRIPTION	BY / DATE	CCN		
ALL DIMENSIONS ARE IN DECIMAL INCHES TOLERANCES UNLESS OTHERWISE SPECIFIED		THIRD ANGLE PROJECTION ANSI 14.5M		SHOT WEIGHT: 35LB.	NOTES: 1. .260 NOM. WALL
POLYETHYLENE		METAL		SHIPPING WEIGHT: 37 LB.	
±1% @ 68° F		DECIMAL ± .125" FRACTION ± 1/4" ANGLE ± 1°		FINISH:	



**Den Hartog**  
INDUSTRIES, INC.

Ace Roto-Mold Injection Molding Blow Molding Sowjoy  
4010 HOSPERS DRIVE S. BOX 425, HOSPERS, IOWA 51238-0425

DESCRIPTION 50 GALLON RECTANGULAR TANK	
SCALE N.S.	PART NO. LP0050-RT