

© DEN HARTOG INDUSTRIES, INC.

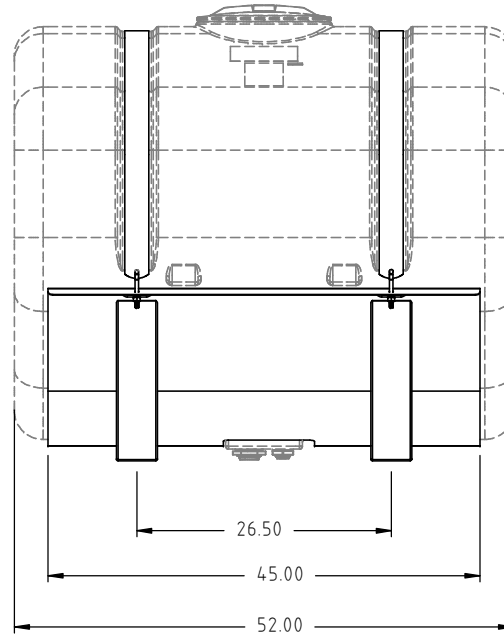
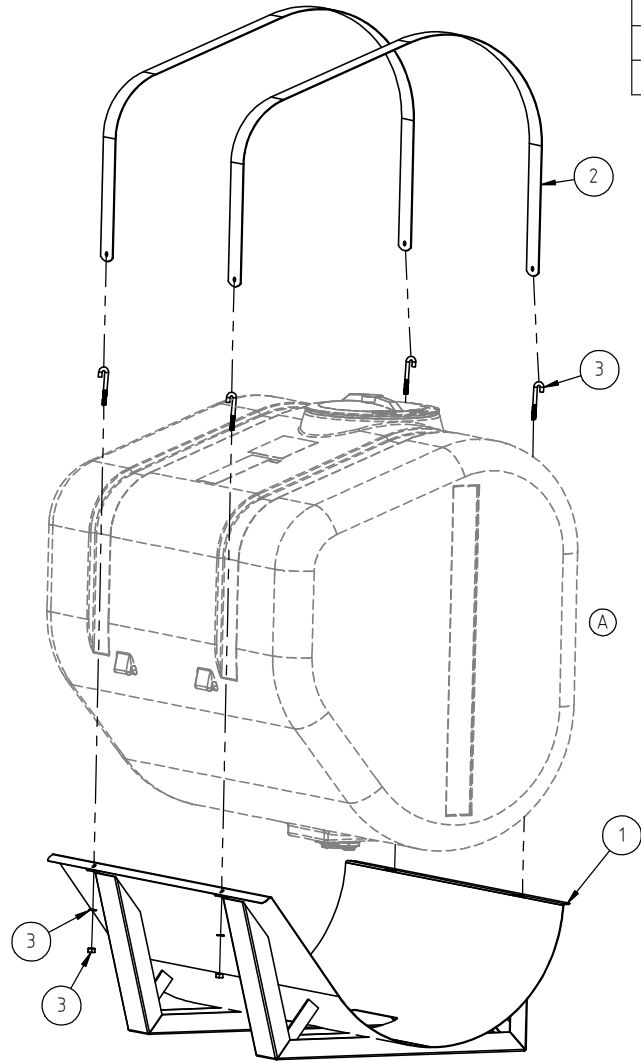
Copyright. All information furnished within this document, electronic file or design correspondence is the property of Den Hartog industries, Inc. and shall not be used, disclosed to others or copied without the expressed written consent of Den Hartog Industries, Inc.

TD0250-C

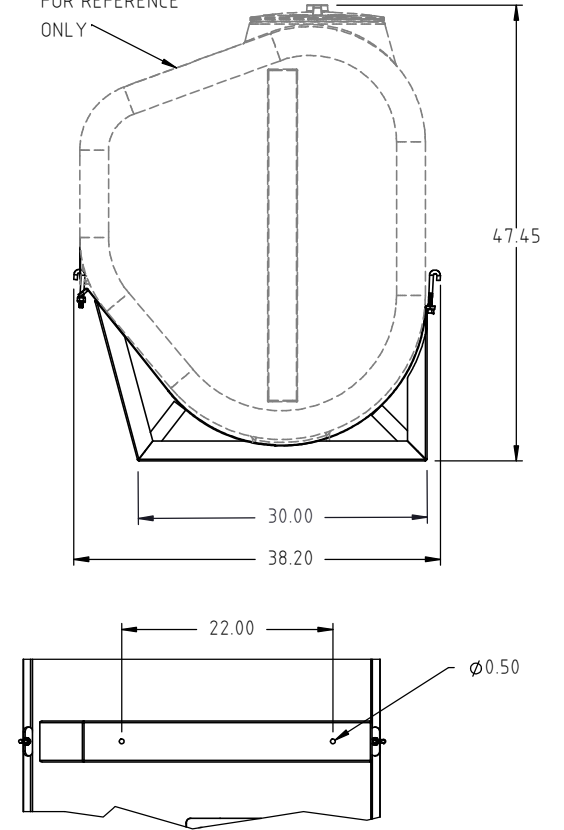
B

KEY	PART NUMBER	DESCRIPTION	QTY.
1	TD0250-CO	TD, CRADLE ONLY 250 GAL BLACK	1
2	TD250-300-SBPS	STEEL BAND 250/300, SINGLE	2
3	BB3-8X3.75BAG-4	BOLT BAG, 3/8" X 3-3/4" J-BOLT	1
	J.375X3.75	J-BOLT, 3/8" X 3-3/4"	4
	11093	NUT, 3/8"HEX GRADE 2 ZINC	4
	SJ10937	WASHER, 3/8" FLAT ZINC	4

(A) (B)



TANK SHOWN FOR REFERENCE ONLY



B	TD0250-CO AND TD0250-C SPLIT INTO SEPARATE PRINTS	ADH 8/27/15	3120	DRAWN / DATE REH 4/6/06	MATERIAL SEE COMPONENTS
A	11093 WAS SJ11093, 19448 WAS 19429, 300 ADDED TO TD0250 /300-SBPS P.N., P.N. UPDATED, LEG BRACE P.N. REMOVED.	ADH 5/29/09	1868	APPRO. / DATE REH 4/6/06	
REV	DESCRIPTION	BY / DATE	CCN		
ALL DIMENSIONS ARE IN DECIMAL INCHES TOLERANCES UNLESS OTHERWISE SPECIFIED		THIRD ANGLE PROJECTION ANSI 14.5M		SHOT WEIGHT:	NOTES:
POLYETHYLENE		METAL DECIMAL ± .125" FRACTION ± 1/4" ANGLE ± 1°		SHIPPING WEIGHT:	
±1% @ 68°F				FINISH:	



Den Hartog
INDUSTRIES, INC.

Ace Roto-Mold Injection Molding Blow Molding Sowjoy

4010 HOSPERS DRIVE S. BOX 425, HOSPERS, IOWA 51238-0421

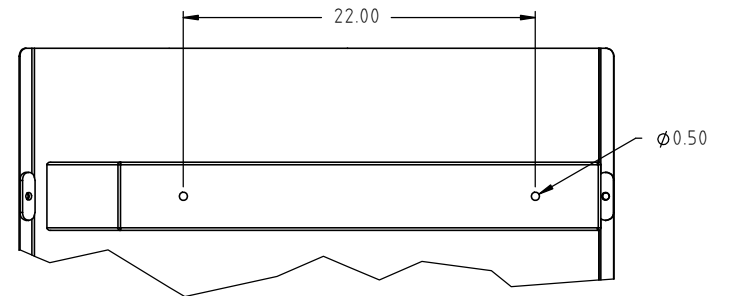
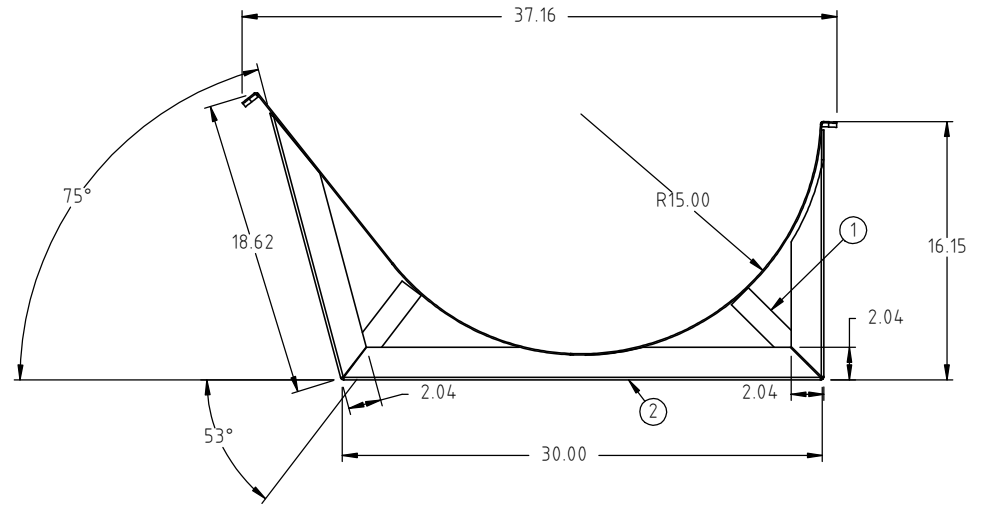
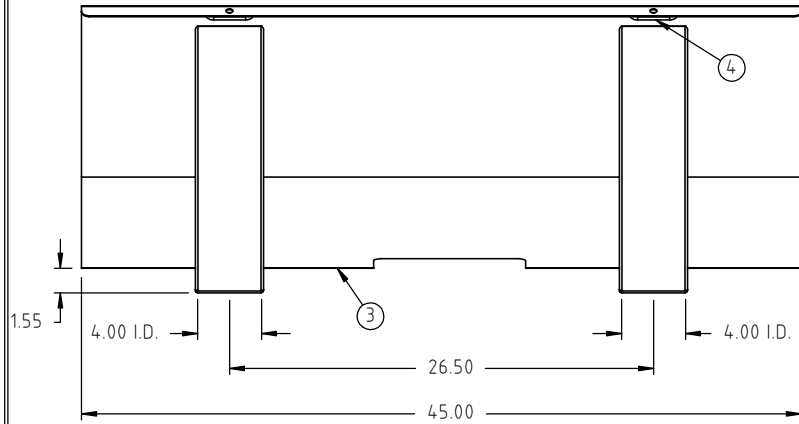
DESCRIPTION	250 GALLON TEAR DROP TANK CRADLE AND BANDS	
SCALE	N.S.	PART NO. TD0250-C

© DEN HARTOG INDUSTRIES, INC.

Copyright. All information furnished within this document, electronic file or design correspondence is the property of Den Hartog industries, Inc. and shall not be used, disclosed to others or copied without the expressed written consent of Den Hartog Industries, Inc.

ITEM NO.	PART NUMBER	DESCRIPTION	QTY.
1	TD0250-CO-1	LEG BRACE	4
2	19430	CRADLE SUPPORT	2
3	19448	PAN	1
4	SJHZ0232C-4	STRAP SUPPORT	4

TD0250-CO



				DRAWN / DATE ADH 8/19/15	MATERIAL SEE COMPONENTS
				APPROD. / DATE REH8/27/15	
REV	DESCRIPTION	BY / DATE	CCN		
ALL DIMENSIONS ARE IN DECIMAL INCHES TOLERANCES UNLESS OTHERWISE SPECIFIED		THIRD ANGLE PROJECTION ANSI 14.5M		SHOT WEIGHT: N.A.	NOTES:
POLYETHYLENE		METAL DECIMAL ± .125" FRACTION ± 1/4" ANGLE ± 1°		SHIPPING WEIGHT: 20.00 LBS	
±1% @ 68°F				FINISH: POWDER COATING, BLACK TILE, 40012	



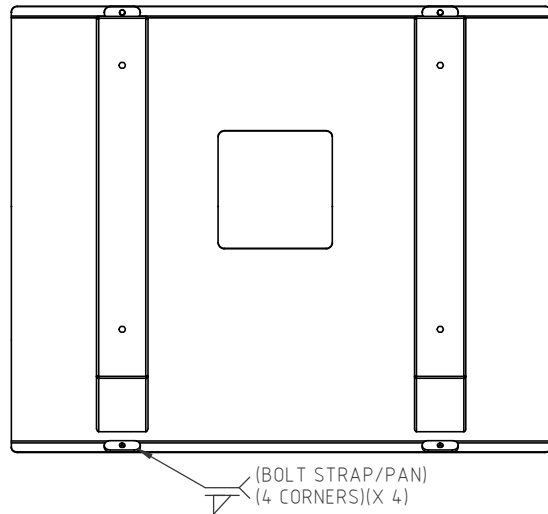
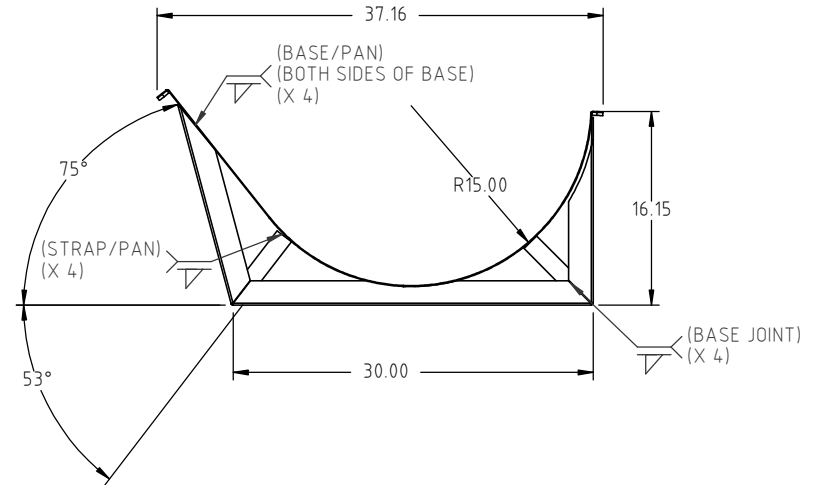
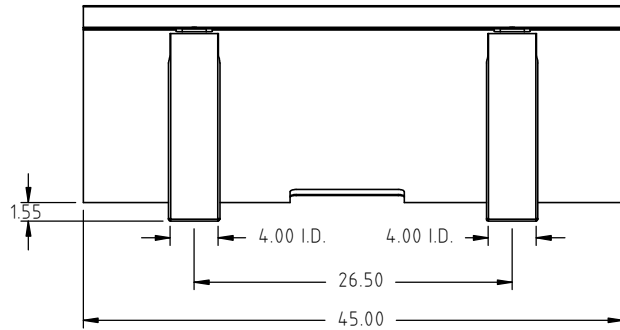
Den Hartog
INDUSTRIES, INC.

Ace Roto-Mold Injection Molding Blow Molding Sowjoy

4010 HOSPERS DRIVE S. BOX 425, HOSPERS, IOWA 51238-0425

DESCRIPTION	250 GALLON TEAR DROP CRADLE	
SCALE	N.S.	PART NO. TD0250-CO

Copyright. All information furnished within this document, electronic file or design correspondence is the property of Den Hartog industries, Inc. and shall not be used, disclosed to others or copied without the expressed written consent of Den Hartog Industries, Inc.



				DRAWN / DATE ADH 1/9/08	MATERIAL
				APPRO. / DATE REH 8/27/15	
REV	DESCRIPTION	BY / DATE	CCN	SHOT WEIGHT:	NOTES:
ALL DIMENSIONS ARE IN DECIMAL INCHES TOLERANCES UNLESS OTHERWISE SPECIFIED		THIRD ANGLE PROJECTION ANSI 14.5M		SHIPPING WEIGHT:	
POLYETHYLENE ±1% @ 68°F				FINISH:	
METAL DECIMAL ± .125" FRACTION ± 1/4" ANGLE ± 1°					



Den Hartog
INDUSTRIES, INC.

Ace Roto-Mold Injection Molding Blow Molding Sowjoy

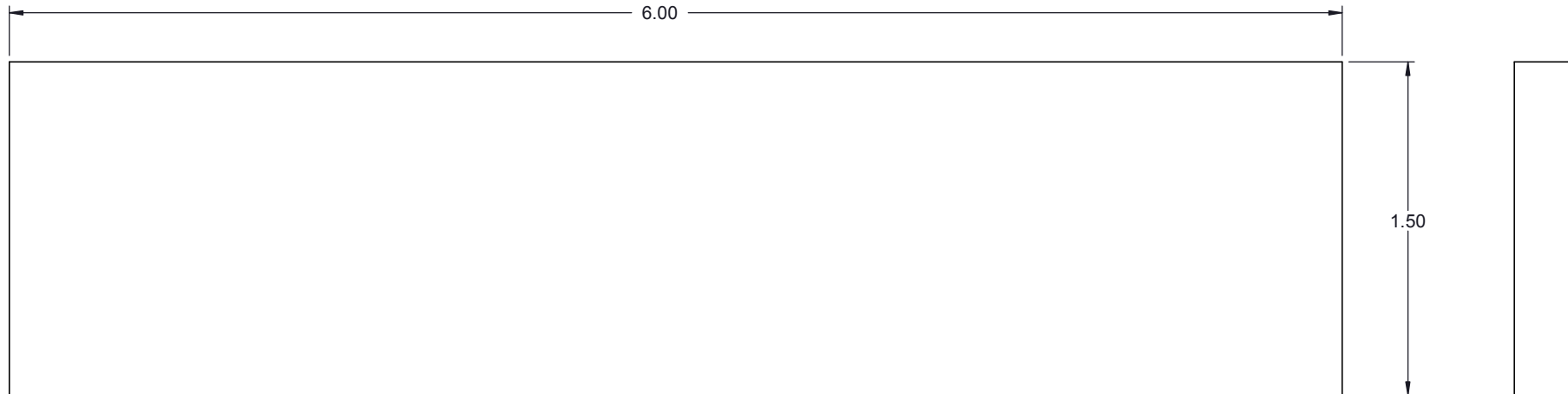
4010 HOSPERS DRIVE S. BOX 425, HOSPERS, IOWA 51238-0421

DESCRIPTION 250 GALLON TEAR DROP TANK CRADLE WELDMENT

SCALE N.S.

PART NO. TD0250-CO-WELDMENT

Copyright. All information furnished within this document, electronic file or design correspondence is the property of Den Hartog industries, Inc. and shall not be used, disclosed to others or copied without the expressed written consent of Den Hartog Industries, Inc.



				DRAWN / DATE ADH 1/10/08	MATERIAL 1.) FLAT, 0.25" X 1.50" MILD STEEL
				APPRD. / DATE REH 8/27/15	
REV	DESCRIPTION	BY / DATE	CCN		
ALL DIMENSIONS ARE IN DECIMAL INCHES TOLERANCES UNLESS OTHERWISE SPECIFIED		THIRD ANGLE PROJECTION ANSI 14.5M		SHOT WEIGHT:	NOTES:
POLYETHYLENE				SHIPPING WEIGHT:	
METAL DECIMAL ± .125" FRACTION ± 1/4" ANGLE ± 1°				FINISH:	



Den Hartog
INDUSTRIES, INC.

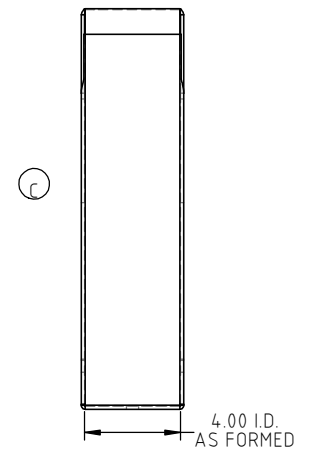
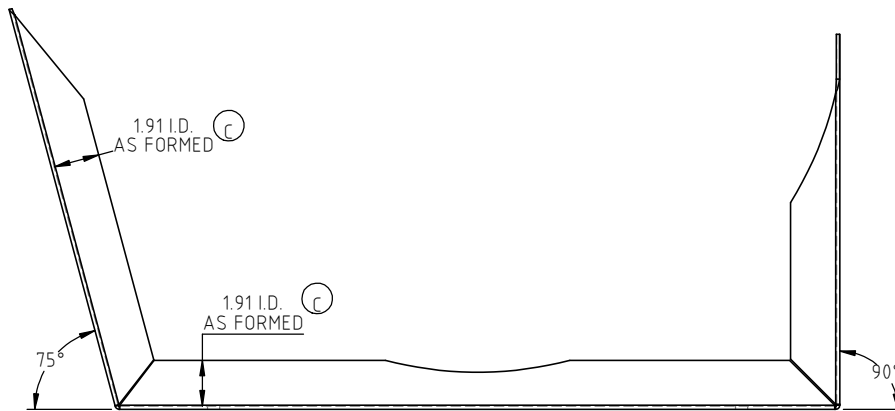
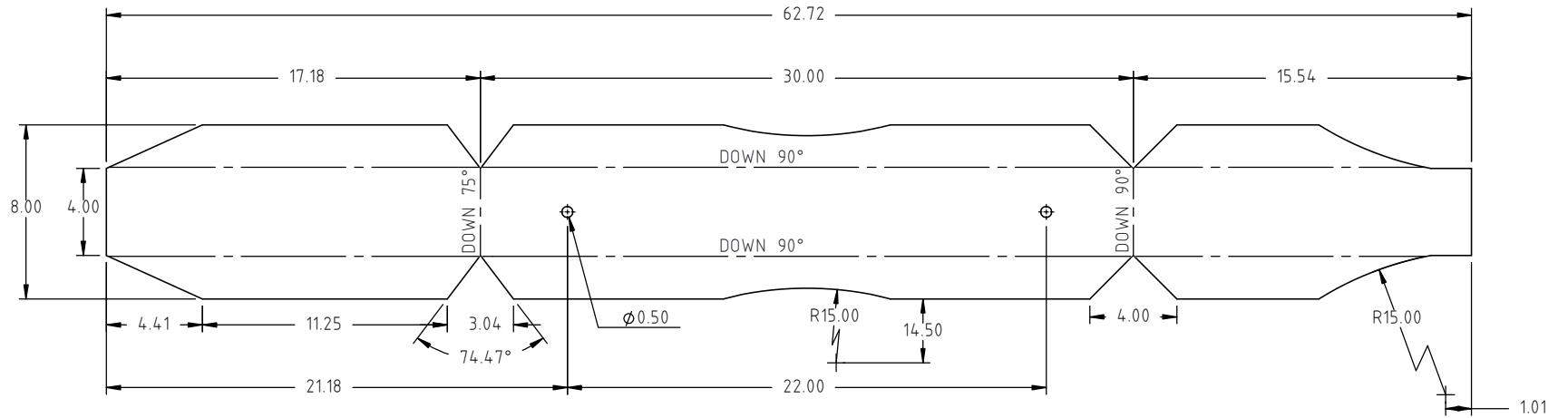
Ace Roto-Mold Injection Molding Blow Molding Sowjoy

4010 HOSPERS DRIVE S. BOX 425, HOSPERS, IOWA 51238-0421

DESCRIPTION TD, 250 GALLON SKID, SKID SUPPORT STRAP	
SCALE N.S.	PART NO. TD0250-C0-1

Copyright. All information furnished within this document, electronic file or design correspondence is the property of Den Hartog Industries, Inc. and shall not be used, disclosed to others or copied without the expressed written consent of Den Hartog Industries, Inc.

BLANK PATTERN



C	FORMED VIEW ADDED. PRINT/LAYOUT UPDATED FORMED I.D. DIMENSIONS CORRECTED.	ADH 8/27/15	3120	DRAWN / DATE DHJ 12/6/05	MATERIAL 1.) SHEET, 10 GA MILD STEEL
B	ADJUST ENDS	3/15/07		APPRD. / DATE ADH 11/5/07	
A	ADJUST CUT	2/15/07			
REV	DESCRIPTION	BY / DATE	CCN		
ALL DIMENSIONS ARE IN DECIMAL INCHES TOLERANCES UNLESS OTHERWISE SPECIFIED		THIRD ANGLE PROJECTION ANSI 14.5M		SHOT WEIGHT:	NOTES:
POLYETHYLENE		METAL DECIMAL ± .125" FRACTION ± 1/4" ANGLE ± 1°		SHIPPING WEIGHT:	
±1% @ 68° F				FINISH:	



Den Hartog
INDUSTRIES, INC.

Ace Roto-Mold Injection Molding Blow Molding Sowjoy

4010 HOSPERS DRIVE S. BOX 425, HOSPERS, IOWA 51238-0421

DESCRIPTION TEAR DROP CRADLE SUPPORT	
SCALE N.S.	PART NO. 19430