

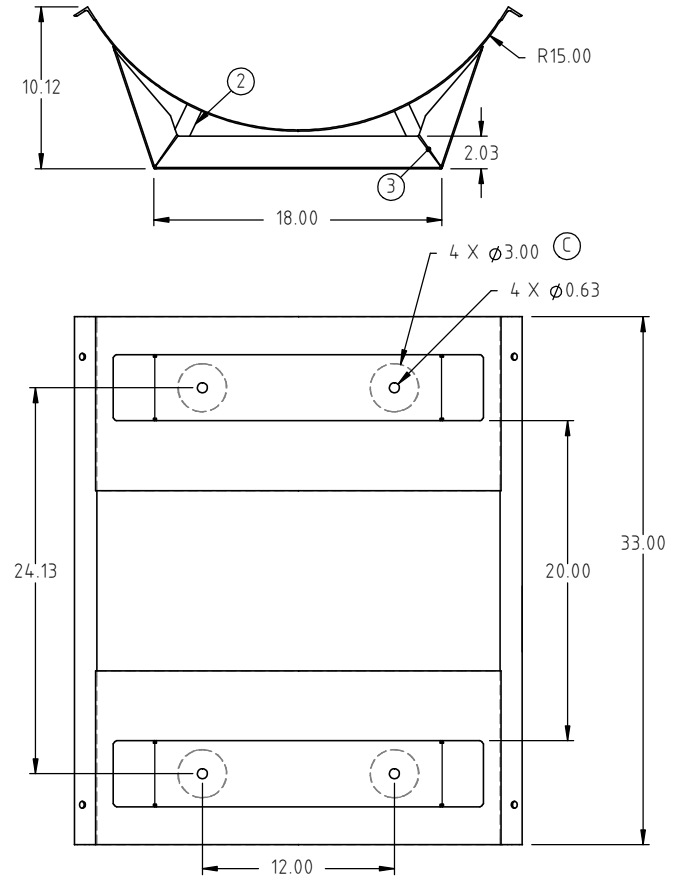
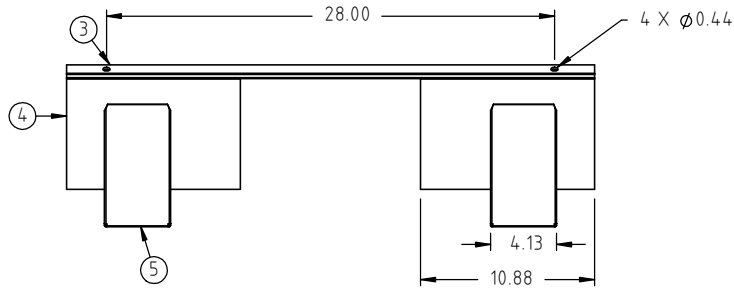
© DEN HARTOG INDUSTRIES, INC.

Copyright. All information furnished within this document, electronic file or design correspondence is the property of Den Hartog Industries, Inc. and shall not be used, disclosed to others or copied without the expressed written consent of Den Hartog Industries, Inc.

KEY	PART NUMBER	DESCRIPTION	QTY.
1	HZ0110-C-1	MOUNT FILLER STRAP	4
2	HZ0110-C-2	PAN SUPPORT/MOUNT FILLER	4
3	SJHZ0110C-1	ANGLE STEEL	2
4	SJHZ01110C-3	PAN	2
5	SJHZ0110C-6	CRADLE MOUNT	2

HZ0110-C

D



D	WEIGHT/FINISH ADDED, DRAWING TEMPLATE UPDATED. BAND DETAIL REMOVED FROM PRINT.	ADH 8/26/15	3115		
C	3" PAN ACCESS HOLES ADDED	ADH 4/22/09	1858	DRAWN / DATE	MATERIAL
B	TOLERANCE WAS 1% @ 68°F	GWC 3/14/07		ADH 8/7/07	
A	BAND LENGTH WAS 59	4/10/06		APPROD. / DATE	
REV	DESCRIPTION	BY / DATE	CCN	REH 11/26/07	
ALL DIMENSIONS ARE IN DECIMAL INCHES TOLERANCES UNLESS OTHERWISE SPECIFIED		THIRD ANGLE PROJECTION ANSI 14.5M		SHOT WEIGHT:	
POLYETHYLENE		METAL		SHIPPING WEIGHT:	
±1% @ 68°F		DECIMAL ± .125" FRACTION ± 1/4" ANGLE ± 1°		D 4.00 LBS	
				D FINISH: POWDER COATING, BLACK	
				D TILE, 40012	



Den Hartog
INDUSTRIES, INC.

Ace Roto-Mold Injection Molding Blow Molding Sowjoy

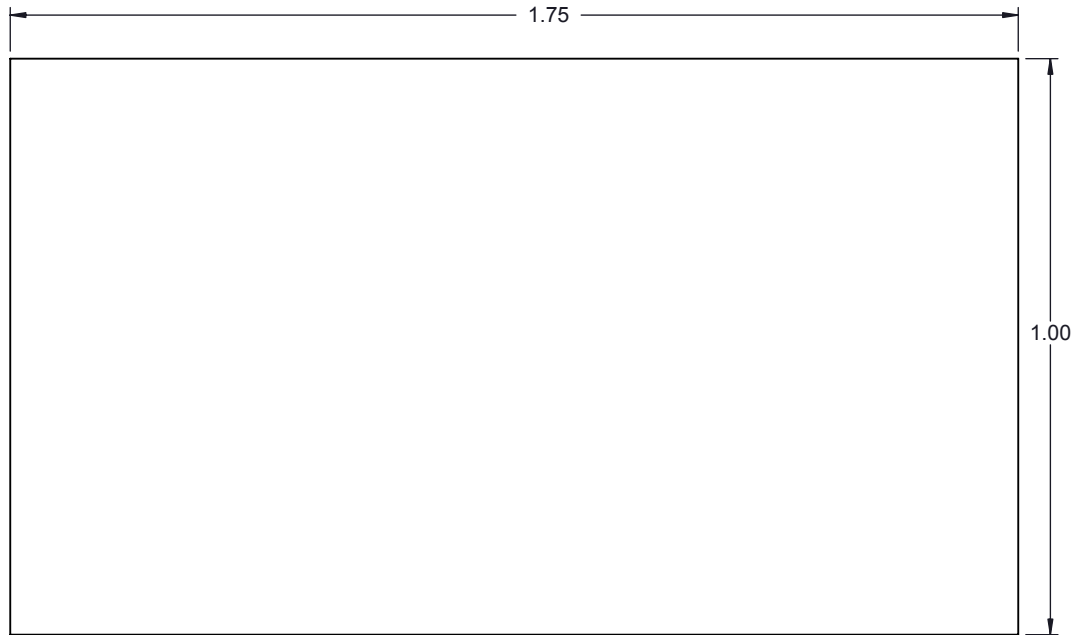
4010 HOSPERS DRIVE S. BOX 425, HOSPERS, IOWA 51238-0425

DESCRIPTION	CRADLE FOR 110 GALLON HORIZONTAL TANK	
SCALE	N.S.	PART NO. HZ0110-C

PROPRIETARY DATA

PROPERTY OF DEN HARTOG MFG., INC. INFORMATION FURNISHED HEREIN IS THE PROPERTY OF ACE ROTO-MOLD MFG., INC. AND SHALL NOT BE USED, DISCLOSED TO OTHERS, OR COPIED WITHOUT THE EXPRESSED WRITTEN CONSENT OF ACE ROTO-MOLD MFG., INC. ALL RIGHTS RESERVED.

HZ0110-C-1



				DRAWN / DATE ADH 8/8/07	MATERIAL 1.) SHEET, 14GA MILD STEEL
				APPRD. / DATE REH 11/26/07	2.) SHEAR FROM S-14GA
REV	DESCRIPTION	BY / DATE	CCN		
ALL DIMENSIONS ARE IN DECIMAL INCHES TOLERANCES UNLESS OTHERWISE SPECIFIED DECIMAL ± .125" FRACTION ± 1/4" ANGLE ± 1°				THIRD ANGLE PROJECTION ANSI 14.5M 	NOTES:



Den Hartog
INDUSTRIES, INC.

Ace Roto-Mold Injection Molding Blow Molding Sowjoy

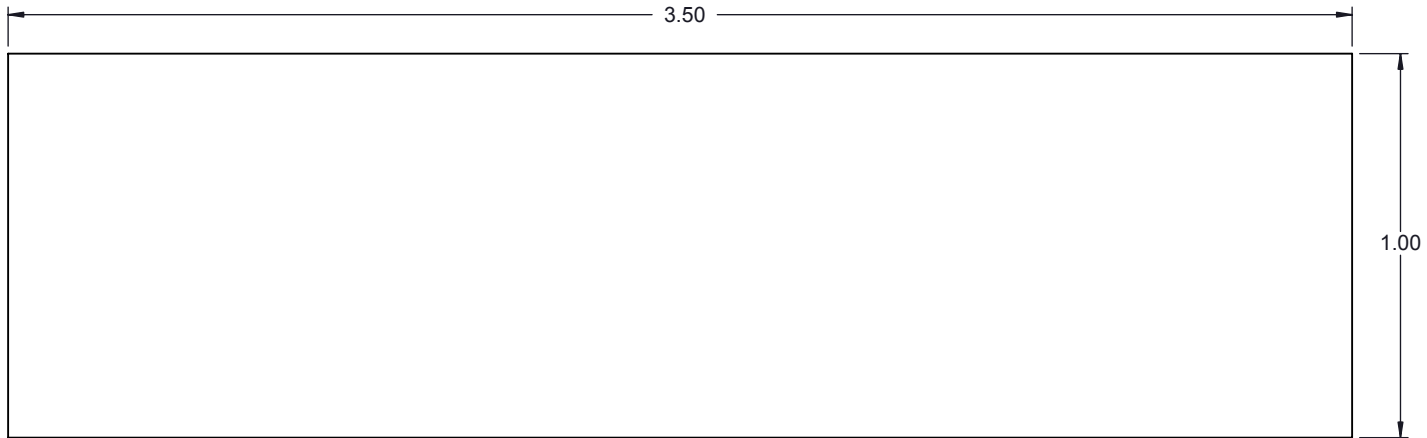
4010 HOSPERS DRIVE S. BOX 425, HOSPERS, IOWA 51238-0421

DESCRIPTION	HZ,110 GALLON CRADLE, MOUNT FILLER STRAP	
SCALE	N.S.	PART NO. HZ0110-C-1

PROPRIETARY DATA

PROPERTY OF DEN HARTOG MFG., INC. INFORMATION FURNISHED HEREIN IS THE PROPERTY OF ACE ROTO-MOLD MFG., INC. AND SHALL NOT BE USED, DISCLOSED TO OTHERS, OR COPIED WITHOUT THE EXPRESSED WRITTEN CONSENT OF ACE ROTO-MOLD MFG., INC. ALL RIGHTS RESERVED.

HZ0110-C-2



				DRAWN / DATE ADH 8/8/07	MATERIAL 1.) SHEET, 14GA MILD STEEL
				APPRD. / DATE REH 11/26/07	2.) SHEAR FROM S-14GA
REV	DESCRIPTION	BY / DATE	CCN		
ALL DIMENSIONS ARE IN DECIMAL INCHES TOLERANCES UNLESS OTHERWISE SPECIFIED DECIMAL ± .125" FRACTION ± 1/4" ANGLE ± 1°				THIRD ANGLE PROJECTION ANSI 14.5M 	NOTES:

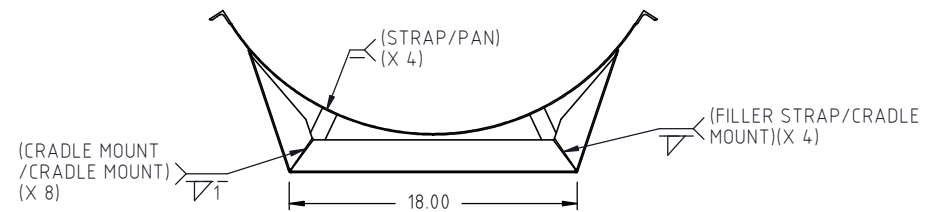
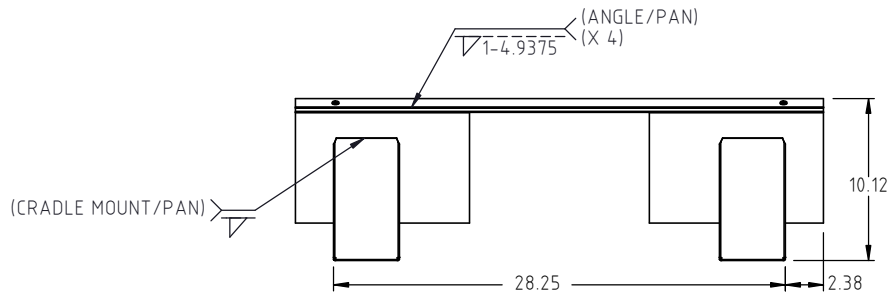
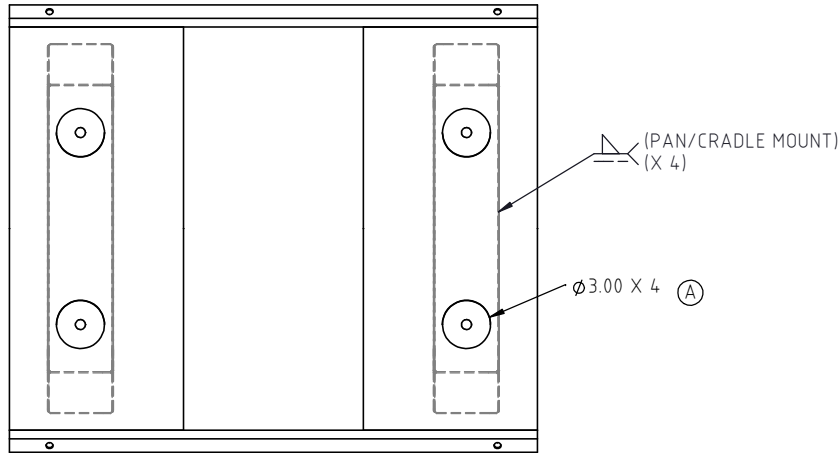


Den Hartog
INDUSTRIES, INC.

Ace Roto-Mold Injection Molding Blow Molding Sowjoy
4010 HOSPERS DRIVE S. BOX 425, HOSPERS, IOWA 51238-0421

DESCRIPTION	HZ, 110 GALLON CRADLE, PAN SUPPORT/MOUNT FILLER	
SCALE	N.S.	PART NO. HZ0110-C-2

Copyright. All information furnished within this document, electronic file or design correspondence is the property of Den Hartog Industries, Inc. and shall not be used, disclosed to others or copied without the expressed written consent of Den Hartog Industries, Inc.



				DRAWN / DATE ADH 8/7/07	MATERIAL
B	DRAWING TEMPLATE UPDATED. WEIGHT/FINISH REMOVED FROM PRINT.	ADH 8/26/15	3115	APPRD. / DATE REH 11/26/07	
A	3" PAN ACCESS HOLES ADDED	ADH 4/22/09	1858		
REV	DESCRIPTION	BY / DATE	CCN		
ALL DIMENSIONS ARE IN DECIMAL INCHES TOLERANCES UNLESS OTHERWISE SPECIFIED		THIRD ANGLE PROJECTION ANSI 14.5M		SHOT WEIGHT:	NOTES:
POLYETHYLENE		METAL DECIMAL ± .125" FRACTION ± 1/4" ANGLE ± 1°		SHIPPING WEIGHT:	
±1% @ 68°F				FINISH: (B) (B)	



Den Hartog
INDUSTRIES, INC.

Ace Roto-Mold Injection Molding Blow Molding Sowjoy

4010 HOSPERS DRIVE S. BOX 425, HOSPERS, IOWA 51238-0425

DESCRIPTION CRADLE FOR 110 GALLON HORIZONTAL	
SCALE N.S.	PART NO. HZ0110-C- WELDMENT