

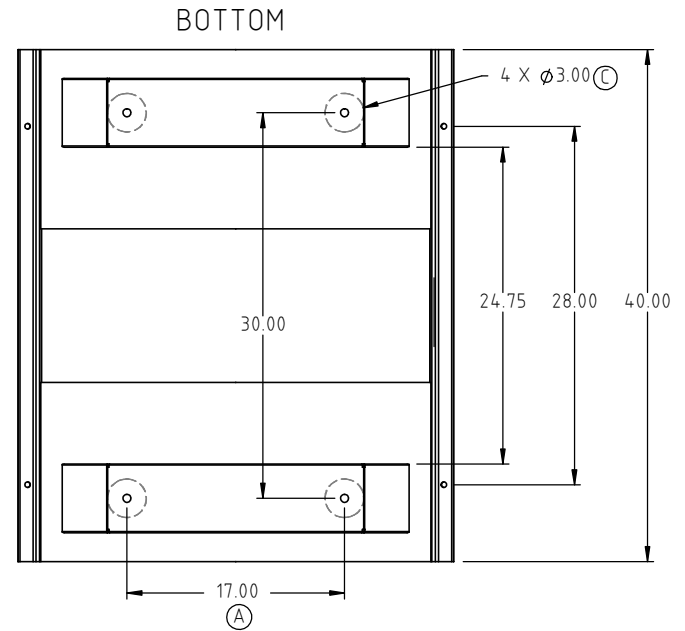
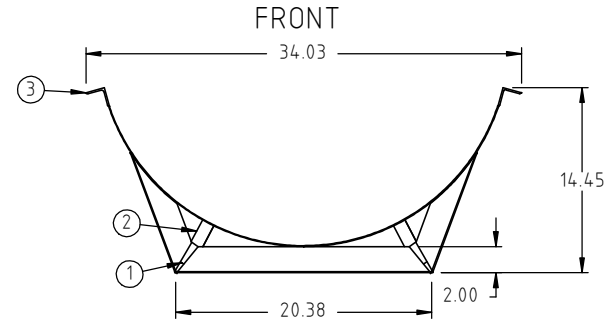
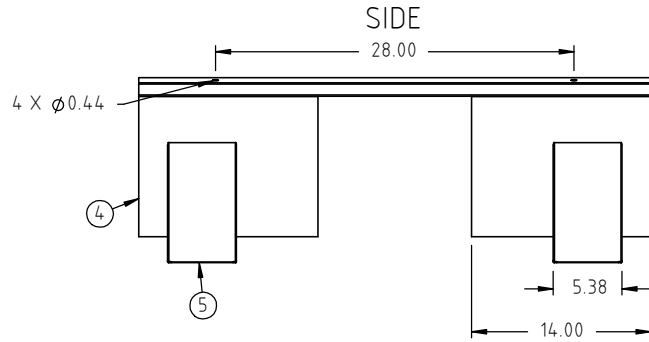
© DEN HARTOG INDUSTRIES, INC.

Copyright. All information furnished within this document, electronic file or design correspondence is the property of Den Hartog Industries, Inc. and shall not be used, disclosed to others or copied without the expressed written consent of Den Hartog Industries, Inc.

KEY	PART NUMBER	DESCRIPTION	QTY.
1	HZ0150-C-1	MOUNT FILLER STRAP	4
2	HZ0150-C-2	PAN SUPPORT/MOUNT FILLER	4
3	SJHZ0150C-1	ANGLE STEEL	2
4	SJHZ0150C-3	PAN	2
5	SJHZ0150C-6	MOUNT	2

HZ0150-C

D



D	BAND/FITTING DETAIL REMOVED FROM PRINT. DRAWING TEMPLATE UPDATED. WEIGHT/FINISH ADDED	ADH 8/26/15	3115		
C	3" PAN ACCESS HOLES ADDED	ADH 4/22/09	1858	DRAWN / DATE ADH 8/9/07	MATERIAL
B	TOLERANCE WAS 1% @ 68° F	GWC 3/14/07		APPROD. / DATE REH 11/26/07	
A	CHANGE DIM. HOLE PAT	1/3/06			
REV	DESCRIPTION	BY / DATE	CCN		
ALL DIMENSIONS ARE IN DECIMAL INCHES TOLERANCES UNLESS OTHERWISE SPECIFIED		THIRD ANGLE PROJECTION ANSI 14.5M		SHOT WEIGHT:	
POLYETHYLENE		METAL DECIMAL ± .125" FRACTION ± 1/4" ANGLE ± 1°		SHIPPING WEIGHT: 56.00 LBS	
±1% @ 68° F				FINISH: POWDER COATING, BLACK TILE, 40012	



Den Hartog
INDUSTRIES, INC.

Ace Roto-Mold Injection Molding Blow Molding Sowjoy

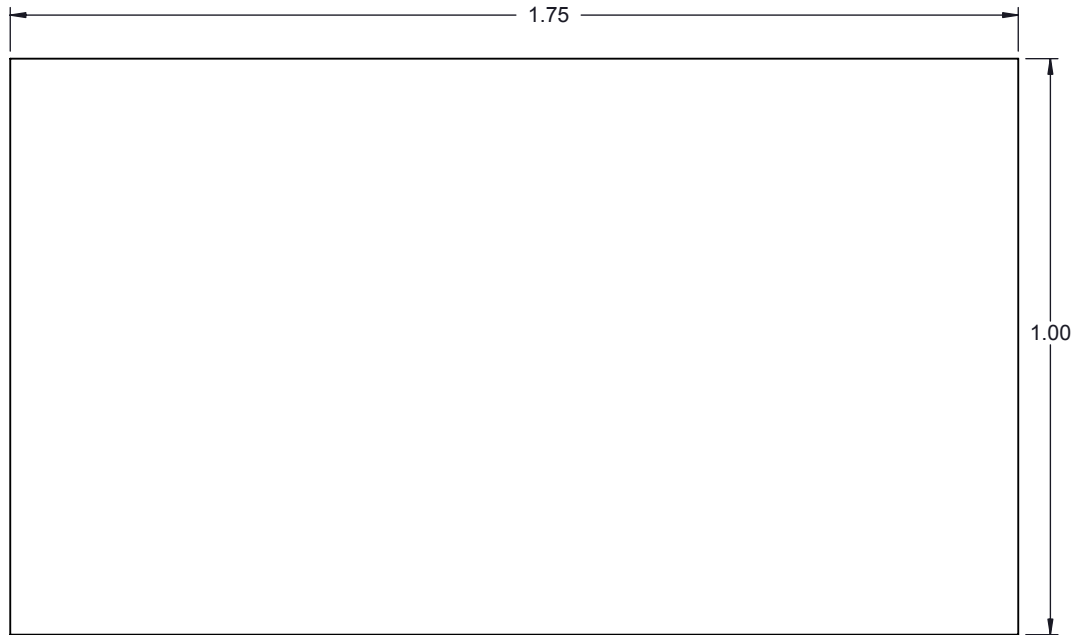
4010 HOSPERS DRIVE S. BOX 425, HOSPERS, IOWA 51238-0425

DESCRIPTION CRADLE FOR 150 GALLON HORIZONTAL TANK	
SCALE N.S.	PART NO. HZ0150-C

PROPRIETARY DATA

HZ0150-C-1

PROPERTY OF DEN HARTOG MFG., INC. INFORMATION FURNISHED HEREIN IS THE PROPERTY OF ACE ROTO-MOLD MFG., INC. AND SHALL NOT BE USED, DISCLOSED TO OTHERS, OR COPIED WITHOUT THE EXPRESSED WRITTEN CONSENT OF ACE ROTO-MOLD MFG., INC. ALL RIGHTS RESERVED.



				DRAWN / DATE ADH 8/8/07	MATERIAL 1.) SHEET, 14GA MILD STEEL
				APPRD. / DATE REH 11/26/07	2.) SHEAR FROM S-14GA
REV	DESCRIPTION	BY / DATE	CCN		
ALL DIMENSIONS ARE IN DECIMAL INCHES TOLERANCES UNLESS OTHERWISE SPECIFIED DECIMAL ± .125" FRACTION ± 1/4" ANGLE ± 1°				THIRD ANGLE PROJECTION ANSI 14.5M 	NOTES:



Den Hartog
INDUSTRIES, INC.

Ace Roto-Mold Injection Molding Blow Molding Sowjoy

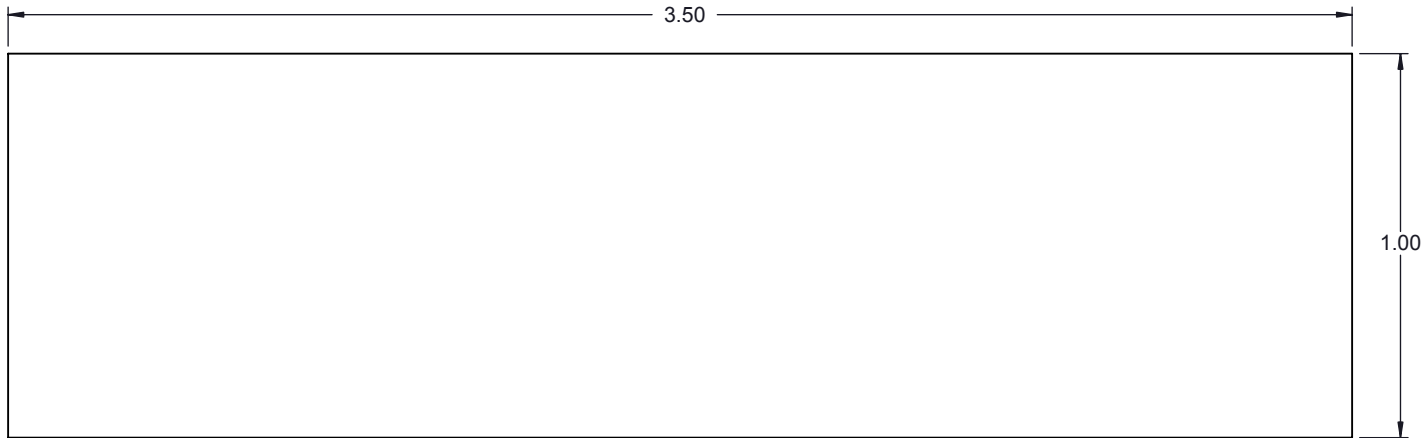
4010 HOSPERS DRIVE S. BOX 425, HOSPERS, IOWA 51238-0421

DESCRIPTION	HZ,150 GALLON CRADLE, MOUNT FILLER STRAP	
SCALE	N.S.	PART NO. HZ0150-C-1

PROPRIETARY DATA

HZ0150-C-2

PROPERTY OF DEN HARTOG MFG., INC. INFORMATION FURNISHED HEREIN IS THE PROPERTY OF ACE ROTO-MOLD MFG., INC. AND SHALL NOT BE USED, DISCLOSED TO OTHERS, OR COPIED WITHOUT THE EXPRESSED WRITTEN CONSENT OF ACE ROTO-MOLD MFG., INC. ALL RIGHTS RESERVED.



				DRAWN / DATE ADH 8/8/07	MATERIAL 1.) SHEET, 14GA MILD STEEL
				APPRD. / DATE REH 11/26/07	2.) SHEAR FROM S-14GA
REV	DESCRIPTION	BY / DATE	CCN		
ALL DIMENSIONS ARE IN DECIMAL INCHES TOLERANCES UNLESS OTHERWISE SPECIFIED DECIMAL ± .125" FRACTION ± 1/4" ANGLE ± 1°				THIRD ANGLE PROJECTION ANSI 14.5M 	NOTES:

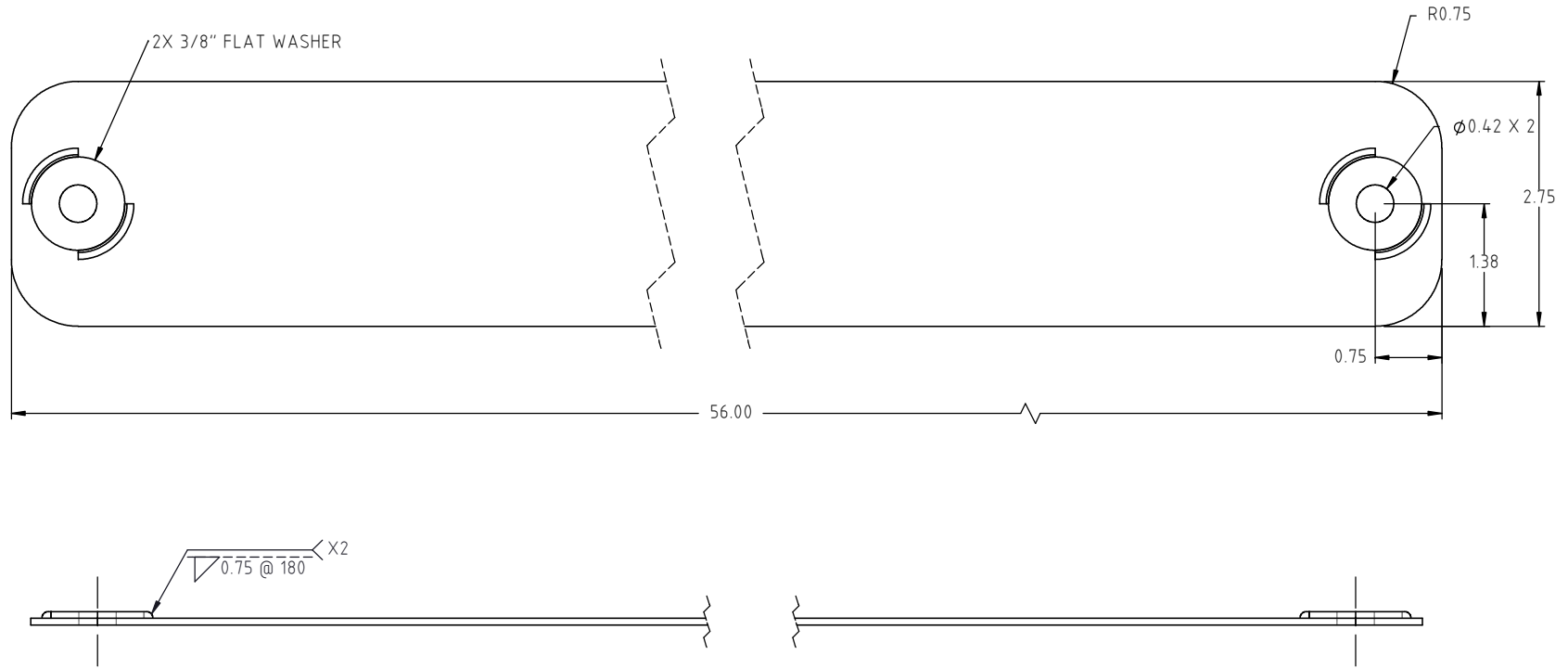


Den Hartog
INDUSTRIES, INC.

Ace Roto-Mold Injection Molding Blow Molding Sowjoy
4010 HOSPERS DRIVE S. BOX 425, HOSPERS, IOWA 51238-0421

DESCRIPTION	HZ, 150 GALLON CRADLE, PAN SUPPORT/MOUNT FILLER	
SCALE	N.S.	PART NO. HZ0150-C-2

Copyright. All information furnished within this document, electronic file or design correspondence is the property of Den Hartog Industries, Inc. and shall not be used, disclosed to others or copied without the expressed written consent of Den Hartog Industries, Inc.



				DRAWN / DATE NVE 7/7/06	MATERIAL 14GA MILD STEEL,
				APPRO. / DATE ADH 12/1/15	
REV	DESCRIPTION	BY / DATE	CCN		
ALL DIMENSIONS ARE IN DECIMAL INCHES TOLERANCES UNLESS OTHERWISE SPECIFIED		THIRD ANGLE PROJECTION ANSI 14.5M		SHOT WEIGHT:	NOTES:
POLYETHYLENE		METAL DECIMAL ± .125" FRACTION ± 1/4" ANGLE ± 1°		SHIPPING WEIGHT: 3.36 LBS.	
±1% @ 68°F				FINISH: BLACK POWDER COATED	



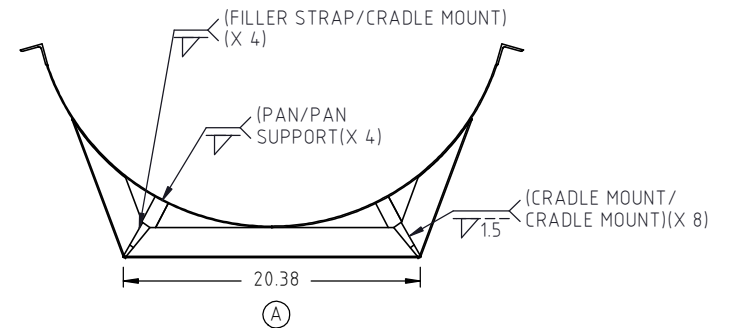
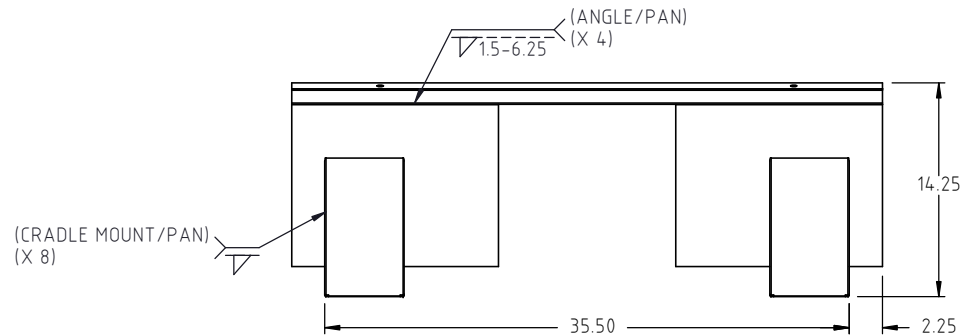
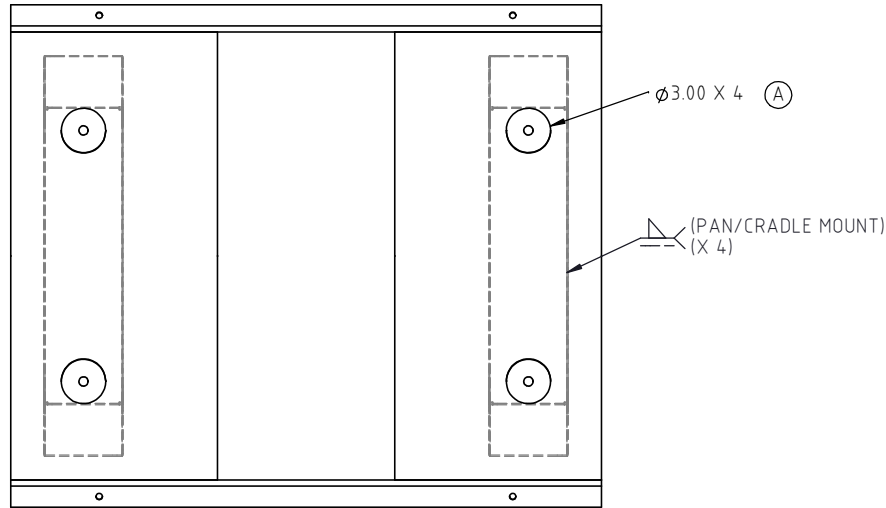
Den Hartog
INDUSTRIES, INC.

Ace Roto-Mold Injection Molding Blow Molding Sowjoy

4010 HOSPERS DRIVE S. BOX 425, HOSPERS, IOWA 51238-0425

DESCRIPTION STEEL BAND FOR 150 GALLON, Ø32" HORIZONTAL TANKS	
SCALE N.S.	PART NO. HZ0150-CSPS

Copyright. All information furnished within this document, electronic file or design correspondence is the property of Den Hartog industries, Inc. and shall not be used, disclosed to others or copied without the expressed written consent of Den Hartog Industries, Inc.



B	DRAWING TEMPLATE UPDATED, WEIGHT AND FINISH REMOVED.	ADH 8/26/15	3115	DRAWN / DATE ADH 8/9/07	MATERIAL
A	3" PAN ACCESS HOLES ADDED, DIMENSION 20.38 WAS 20.00	ADH 4/22/09	1858	APPRD. / DATE REH 11/26/07	
REV	DESCRIPTION	BY / DATE	CCN		
ALL DIMENSIONS ARE IN DECIMAL INCHES TOLERANCES UNLESS OTHERWISE SPECIFIED		THIRD ANGLE PROJECTION ANSI 14.5M		SHOT WEIGHT:	NOTES:
POLYETHYLENE		METAL DECIMAL ± .125" FRACTION ± 1/4" ANGLE ± 1°		SHIPPING WEIGHT:	
±1% @ 68°F				FINISH: (B) (B)	



Den Hartog
INDUSTRIES, INC.

Ace Roto-Mold Injection Molding Blow Molding Sowjoy

4010 HOSPERS DRIVE S. BOX 425, HOSPERS, IOWA 51238-0425

DESCRIPTION CRADLE FOR 150 GALLON HORIZONTAL TANK	
SCALE N.S.	PART NO. HZ0150-C- WELDMENT