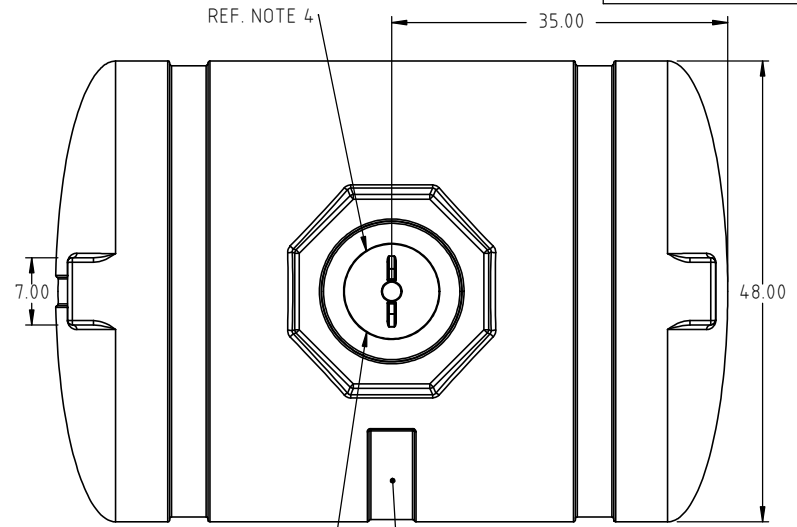
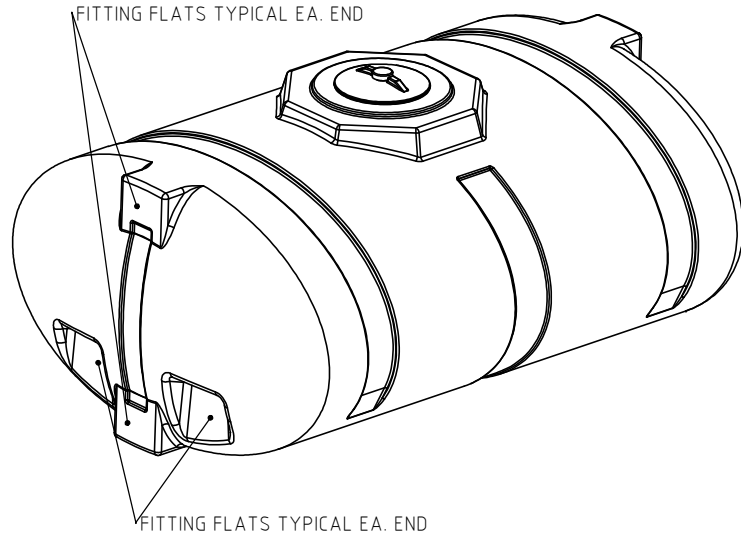
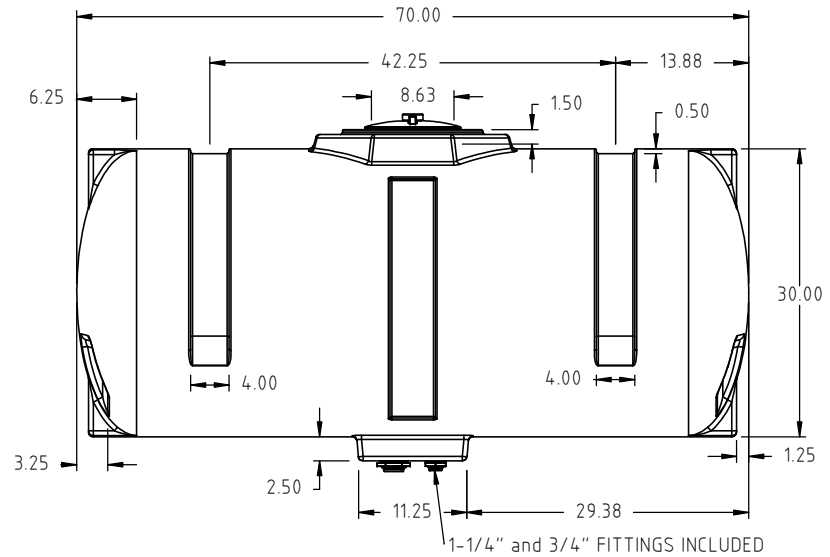
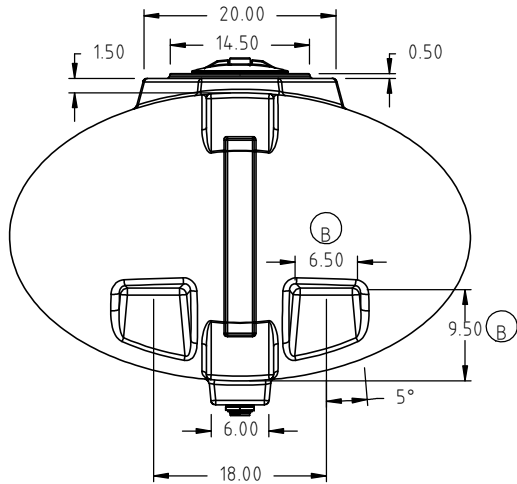


Copyright. All information furnished within this document, electronic file or design correspondence is the property of Den Hartog Industries, Inc. and shall not be used, disclosed to others or copied without the expressed written consent of Den Hartog Industries, Inc.



(A) STANDARD LID IS 8" 5" AND 7" LIDS ARE AVAILABLE.



1-1/4" and 3/4" FITTINGS INCLUDED

B	6.50 WAS 7.50, 9.50 WAS 11.00	ADH 2/12/15	3012	DRAWN / DATE REH/4/9/01	MATERIAL POLYETHYLENE
A	ADDED 7" LID OPTION	REH 1/5/09	1773	APPRD. / DATE DHJ/4/9/01	
REV	DESCRIPTION	BY / DATE	CCN		
ALL DIMENSIONS ARE IN DECIMAL INCHES TOLERANCES UNLESS OTHERWISE SPECIFIED		THIRD ANGLE PROJECTION ANSI 14.5M		SHOT WEIGHT: 112.00 LBS	NOTES: 1. .300 NOMINAL WALL
POLYETHYLENE		METAL DECIMAL ± .125" FRACTION ± 1/4" ANGLE ± 1°		SHIPPING WEIGHT:	
±1% @ 68°F				FINISH:	



Den Hartog
INDUSTRIES, INC.

Ace Roto-Mold Injection Molding Blow Molding Sowjoy

4010 HOSPERS DRIVE S. BOX 425, HOSPERS, IOWA 51238-0425

DESCRIPTION ACE 300 GALLON ELLIPTICAL TANK	
SCALE N.S.	PART NO. HE0300-48