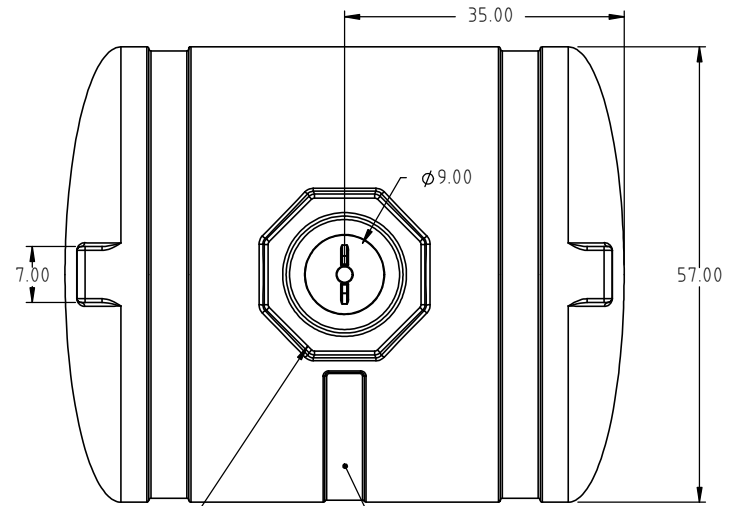
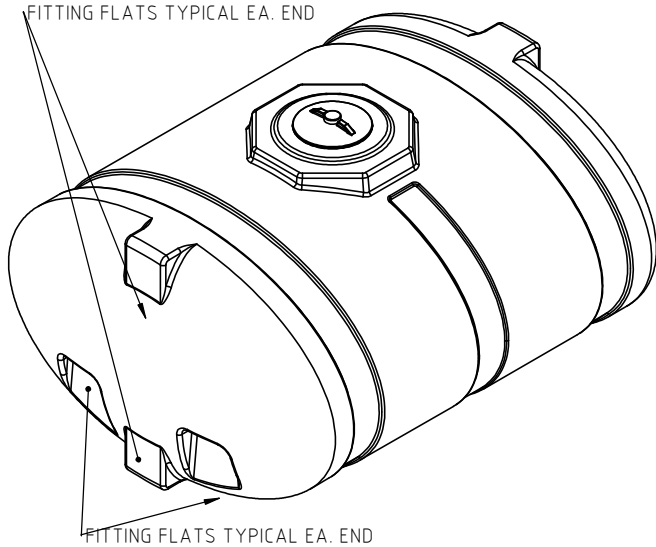
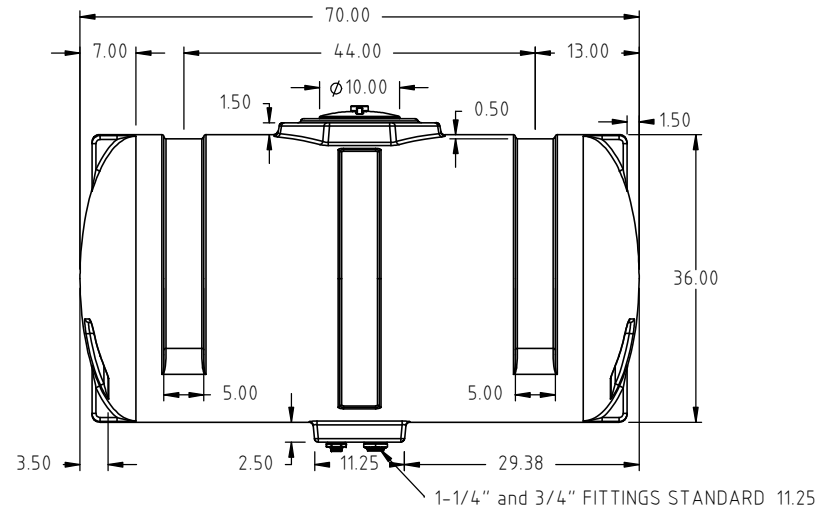
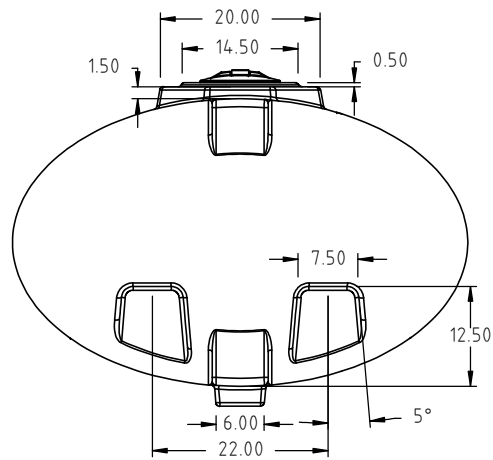


Copyright. All information furnished within this document, electronic file or design correspondence is the property of Den Hartog industries, Inc. and shall not be used, disclosed to others or copied without the expressed written consent of Den Hartog Industries, Inc.




Ⓐ STANDARD LID IS 8"
5", 7", 16" LIDS AVAILABLE

GALLON / LITER INDICATORS ONE SIDE AND ONE END
GALLON CALIBRATIONS ARE IN 25 GAL. INCREMENTS



				DRAWN / DATE REH/4/16/01	MATERIAL 10420
A	5", 7", 16" LID OPTIONS ADDED TO NOTE DRAWING TEMPLATE UPDATED	ADH 5/7/12	2416	APPRD. / DATE DHJ/4/16/01	
REV	DESCRIPTION	BY / DATE	CCN		
ALL DIMENSIONS ARE IN DECIMAL INCHES TOLERANCES UNLESS OTHERWISE SPECIFIED		THIRD ANGLE PROJECTION ANSI 14.5M		SHOT WEIGHT: 127.00 LBS	NOTES: 1.) .300 NOMINAL WALL
POLYETHYLENE		METAL DECIMAL ± .125" FRACTION ± 1/4" ANGLE ± 1°		SHIPPING WEIGHT: 129.00 LBS	
±1% @ 68° F				FINISH:	



Den Hartog

INDUSTRIES, INC.

Acro-Roto-Mold Injection Molding Blow Molding Sowjey

4010 HOSPERS DRIVE S. BOX 425, HOSPERS, IOWA 51238-0425

DESCRIPTION 400 GALLON ELLIPTICAL TANK	
SCALE N.S.	PART NO. HE0400-57