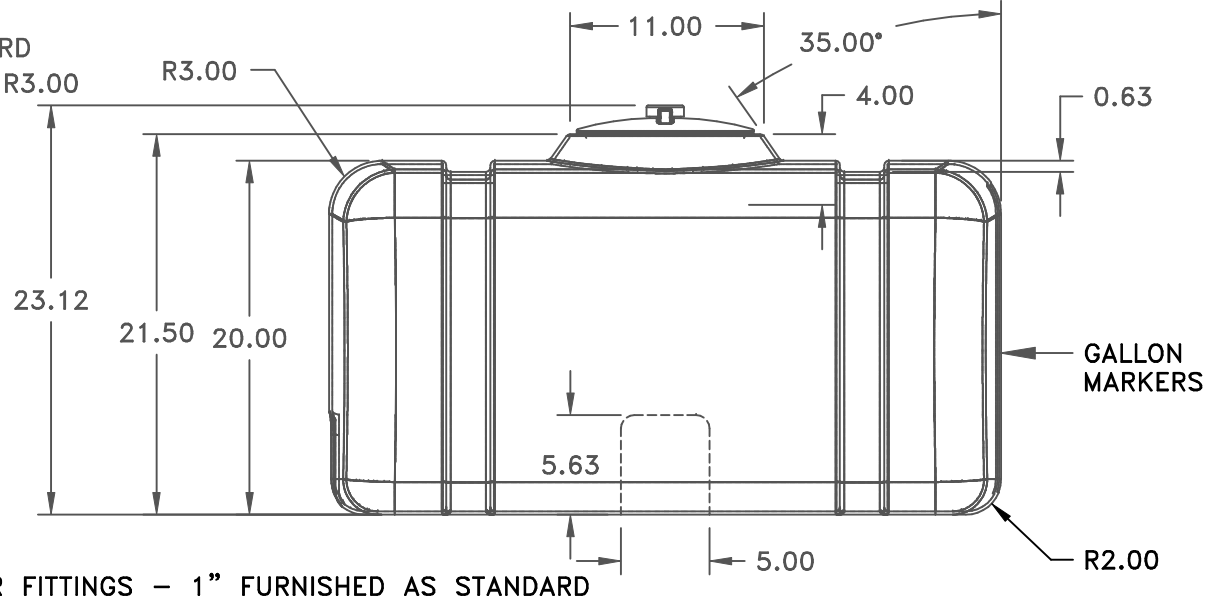
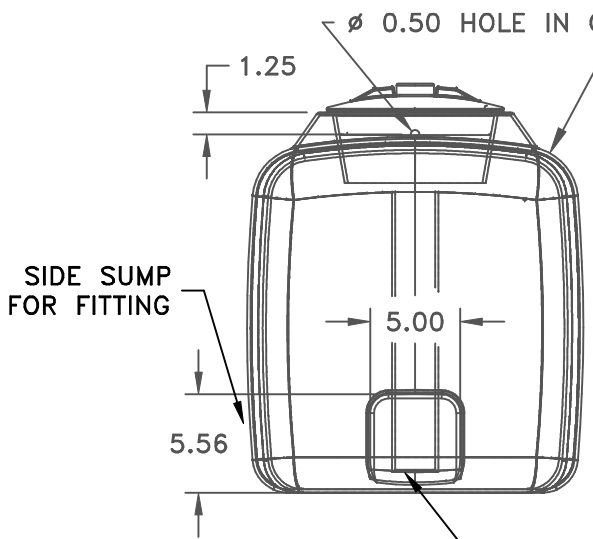
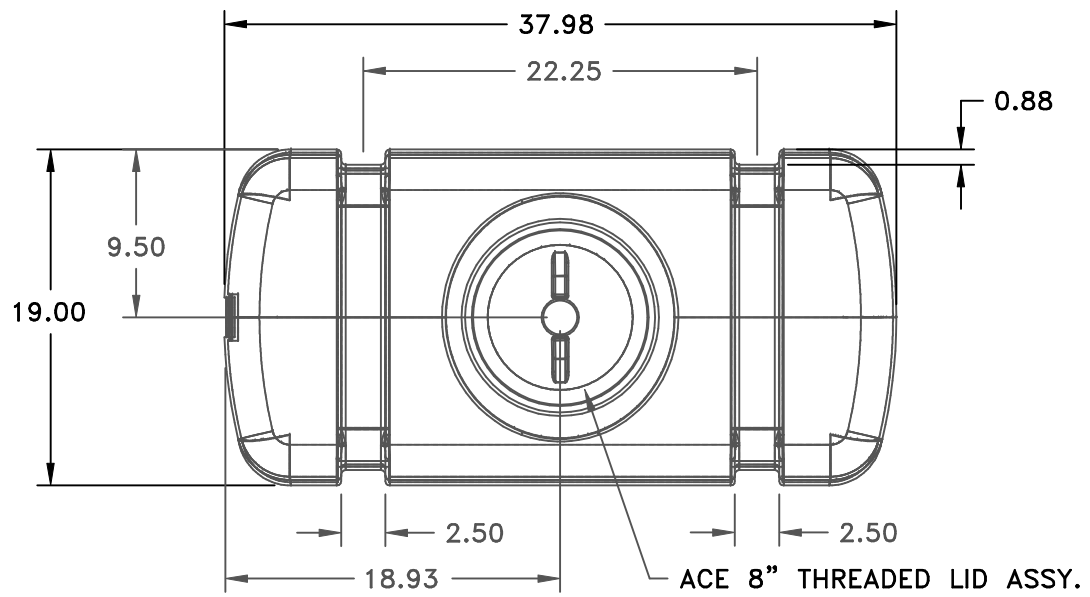
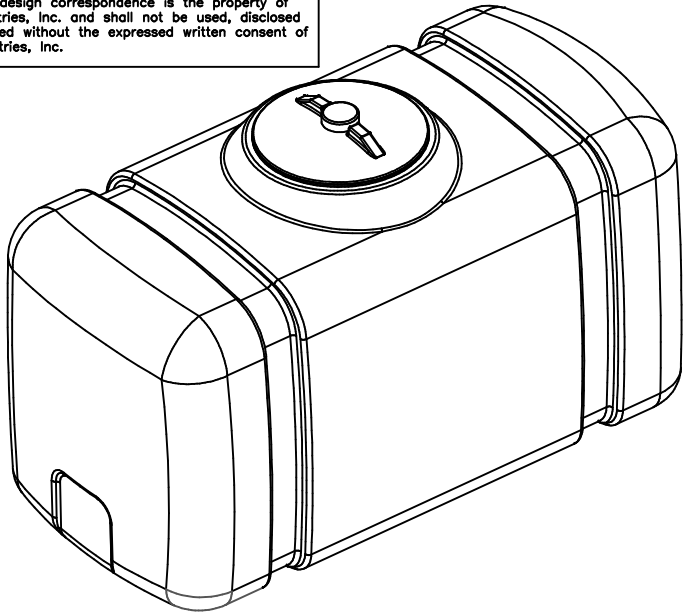


© DEN HARTOG INDUSTRIES, INC.
 Copyright. All information furnished within this document, electronic file or design correspondence is the property of Den Hartog Industries, Inc. and shall not be used, disclosed to others or copied without the expressed written consent of Den Hartog Industries, Inc.

SP0050-RT C



SUMP FOR FITTINGS - 1" FURNISHED AS STANDARD

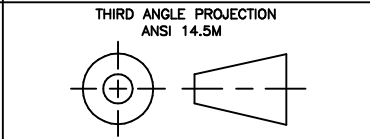
C	ADDRESS AND TOLERANCE UPDATED	ADH 5/4/09
B	SIDE FLAT WAS ADDED	7/24/01
A	FTG WAS ADDED. PORT REMOVED	7/24/01
REV	DESCRIPTION	DATE APPRD

DRAWN / DATE	REH / 10/4/00
APPRD. / DATE	REH / 10/4/00

MATERIAL	25 LB. MOBIL 134
----------	------------------

Ace Roto-Mold
 A DIVISION OF DEN HARTOG INDUSTRIES, INC.
 4010 HOSPERS DRIVE S., BOX 425, HOSPERS, IOWA 51238 ©

ALL DIMENSIONS ARE IN DECIMAL INCHES
 TOLERANCES UNLESS OTHERWISE SPECIFIED
 ± 1% @ 68° F ☉



NOTES:
 1. NATURAL COLOR
 2. NOM. WALL .190

CLIENT / DESCRIPTION		50 GAL. TANK
SCALE	N.S.	PART NO. SP0050-RT