

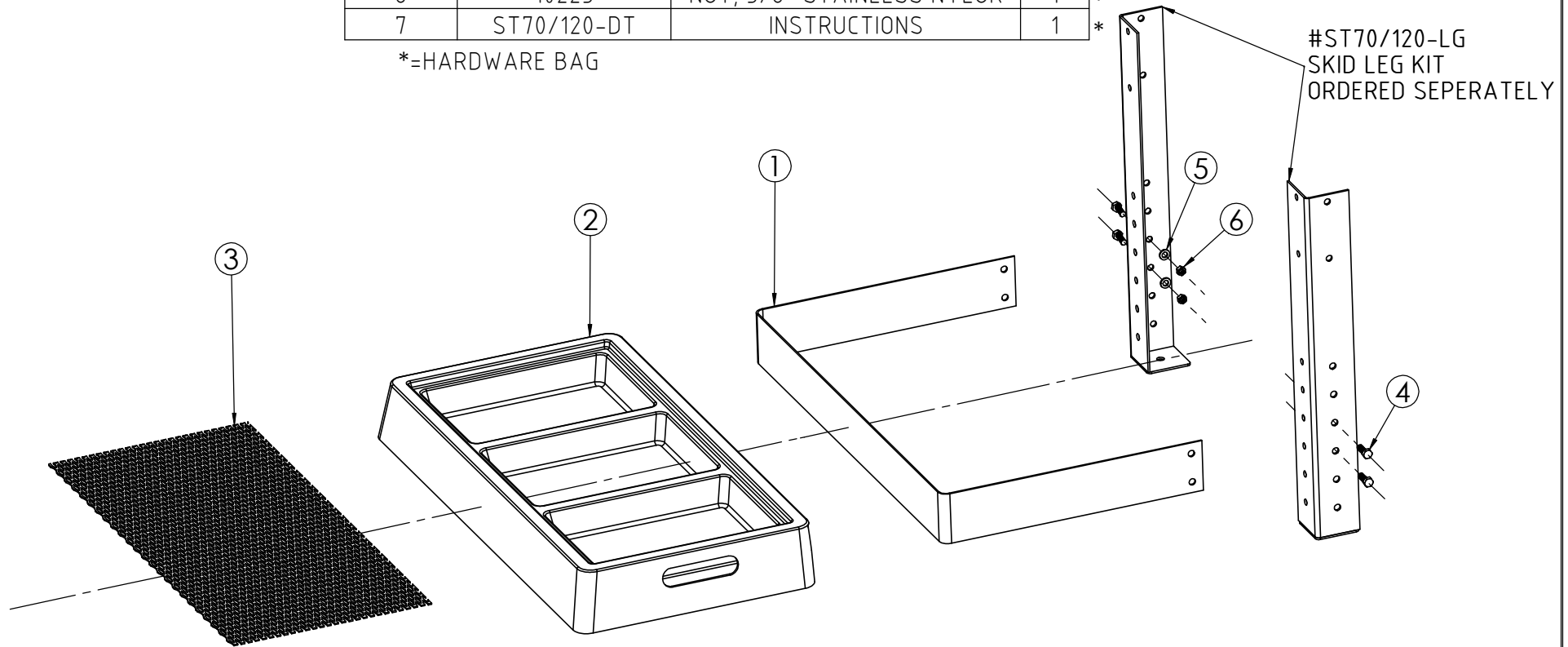
© DEN HARTOG INDUSTRIES, INC.

Copyright. All information furnished within this document, electronic file or design correspondence is the property of Den Hartog industries, Inc. and shall not be used, disclosed to others or copied without the expressed written consent of Den Hartog Industries, Inc.

ST70/120-DT

ITEM NO.	PART NUMBER	DESCRIPTION	QTY.
1	12617	DRIP TRAY BRACE	1
2	12618	DIP TRAY	1
3	12634	SCREEN FOR DRIP TRAY	1
4	12503	BOLT, 3/8" X 1" SS	4 *
5	11094	WASHER, 3/8" X 1" OD FLAT SS	4 *
6	10223	NUT, 3/8" STAINLESS NYLOK	4 *
7	ST70/120-DT	INSTRUCTIONS	1 *

*=HARDWARE BAG



				DRAWN / DATE ADH 11/26/08	MATERIAL
				APPRD. / DATE REH 2/25/09	
REV	DESCRIPTION	BY / DATE	CCN	SHOT WEIGHT:	NOTES:
	ALL DIMENSIONS ARE IN DECIMAL INCHES TOLERANCES UNLESS OTHERWISE SPECIFIED			THIRD ANGLE PROJECTION ANSI 14.5M	
	POLYETHYLENE ±1% @ 68°F			METAL DECIMAL ± .125" FRACTION ± 1/4" ANGLE ± 1°	
				SHIPPING WEIGHT:	
				FINISH:	



Den Hartog
INDUSTRIES, INC.

Ace Roto-Mold Injection Molding Blow Molding Sowjoy
4010 HOSPERS DRIVE S. BOX 425, HOSPERS, IOWA 51238-0421

DESCRIPTION	70 AND 120 GALLON TOTE DRIP TRAY ASSEMBLY	
SCALE	N.S.	PART NO. ST70/120-DT