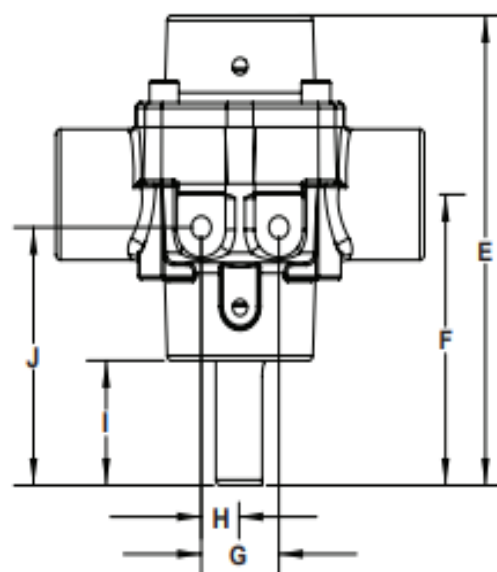
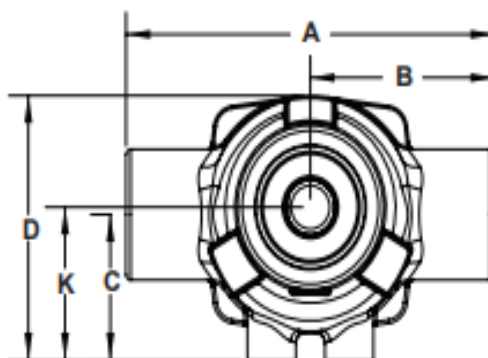


Pump Technical Data

4101 Series Pump Only

Pump Dimensions		
Dim.	Inch	mm
A	4.75	121
B	2.38	61
C	1.67	42
D	3.03	77
E	5.39	137
F	3.34	85
G	1	25
H	0.49	13
I	1.43	36
J	2.96	75
K	1.75	45



4101C, 4101N, 4101XL Pump Specifications

Rollers:	Max. Flow Rate (GPM [LPM]):	Max. Pressure (PSI [BAR]):	Max RPM	Ports:	Shaft:	Continuous Operation (PSI [BAR]):	Intermittent Operation (PSI [BAR]):	Dry Weight (LBS [KG]):	Minimum Horsepower requirement	Mounting bolts
4	7.2 [27.3]	150 [10.3]	2600	3/8" NPT Inlet & Outlet	5/8" Dia. (Solid) or 1/2" Dia. (Hollow)	100 [6.9]	150 [10.3]	5 [2.27]	1.08	2 X 5/16-18 UNC

Performance Data 4101C, 4101N, 4101XL (Imperial)

Pressure	GPM	HP	GPM	HP	GPM	HP
	@1800 RPM		@2200RPM		@2600RPM	
0 PSI	5.0	0.1	6.2	0.1	7.2	0.2
25 PSI	4.8	0.2	5.8	0.3	6.9	0.3
50 PSI	4.5	0.3	5.6	0.4	6.6	0.5
75 PSI	4.2	0.5	5.4	0.6	6.4	0.6
100 PSI	3.9	0.6	5.0	0.7	6.0	0.8
125 PSI	3.7	0.7	4.7	0.8	5.7	0.9
150 PSI	3.4	0.8	4.4	1.0	5.4	1.1

Performance Data 4101C, 4101N, 4101XL (Metric)

Pressure	LPM	HP	LPM	HP	LPM	HP
	@1800 RPM		@2200RPM		@2600RPM	
0 BAR	18.9	0.1	23.5	0.1	27.3	0.2
1.7 BAR	18.2	0.2	22.0	0.3	26.1	0.3
3.4 BAR	17.0	0.3	21.2	0.4	25.0	0.5
5.2 BAR	15.9	0.5	20.4	0.6	24.2	0.6
6.9 BAR	14.8	0.6	18.9	0.7	22.7	0.8
8.6 BAR	14.0	0.7	17.8	0.8	21.6	0.9
10.3 BAR	12.9	0.8	16.7	1.0	20.4	1.1