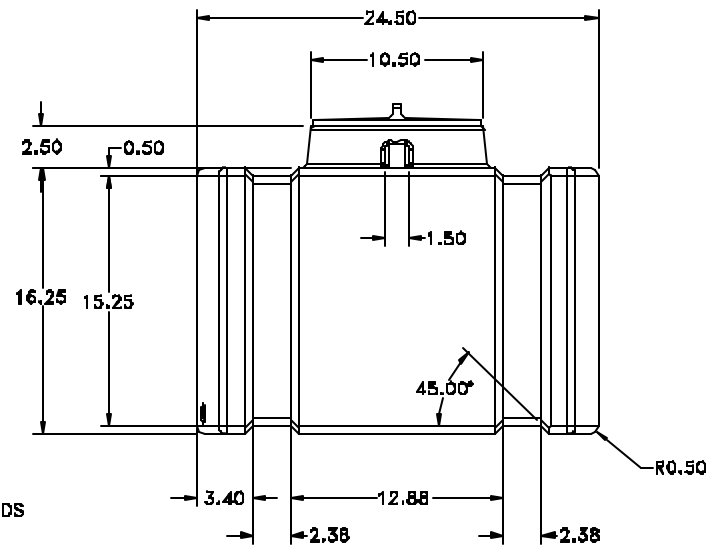
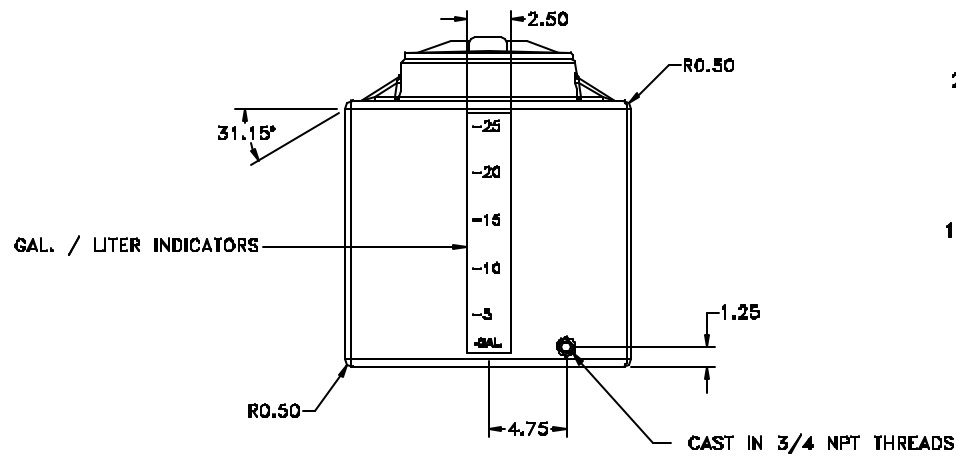
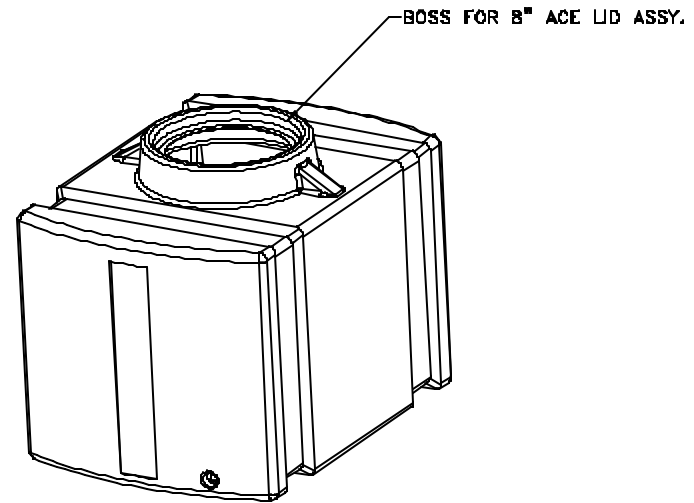
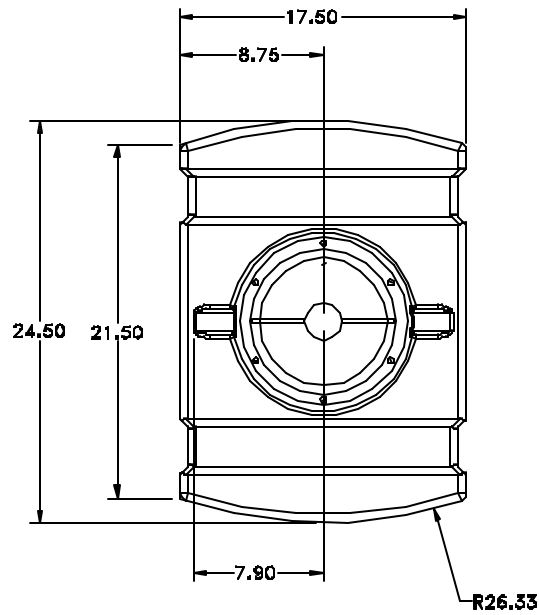


SP0026-RT



				DRAWN / DATE REH / 1/27/99	MATERIAL: MOBIL 134 / NAT. COLOR
				APPRD. / DATE REH / 1/27/99	SHOT WT. = 14.0 LB.
REV	DESCRIPTION	DATE	APPRD		
ALL DIMENSIONS ARE IN DECIMAL INCHES TOLERANCES UNLESS OTHERWISE SPECIFIED $\pm 1\% @ 68^\circ F$				THIRD ANGLE PROJECTION ANSI 14.3M 	

ACE ROTO-MOLD A DIVISION OF DEN HARTOG INDUSTRIES, INC. 4018 HWY. 60 BLVD., BOX 421 HOSPERS, IOWA 51238	
CLIENT / DESCRIPTION	
26 GAL. TANK	
SCALE	PART NO.
N.S.	SP0026-RT