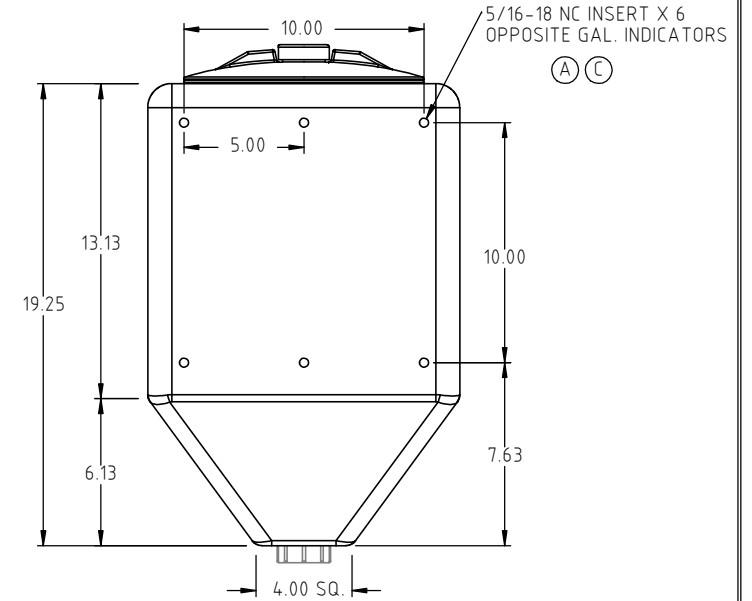
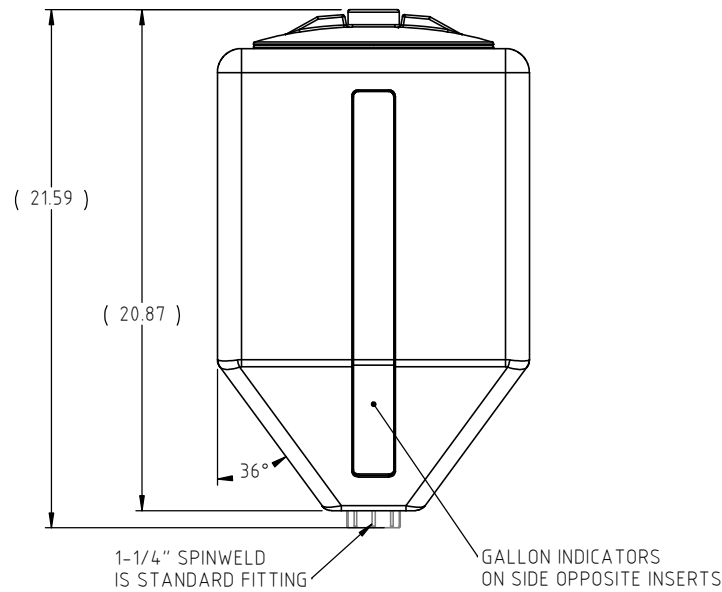
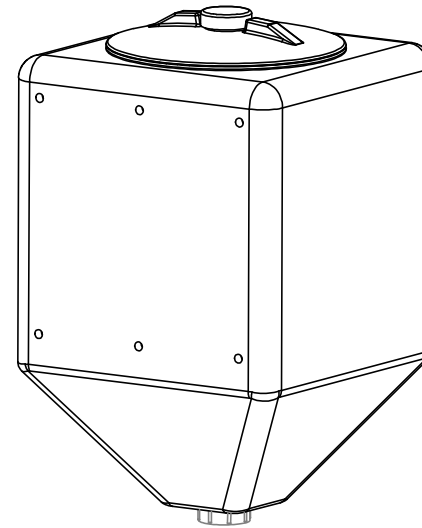
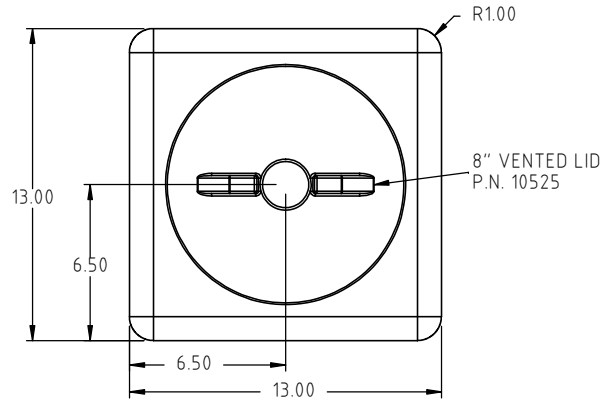


© DEN HARTOG INDUSTRIES, INC.

Copyright. All information furnished within this document, electronic file or design correspondence is the property of Den Hartog Industries, Inc. and shall not be used, disclosed to others or copied without the expressed written consent of Den Hartog Industries, Inc.

SP0010-SQ8

C



C	5/16 INSERT TYPO CORRECTED.	ADH 9/28/16	3291	DRAWN / DATE	MATERIAL  POLYETHYLENE
B	1% TOLERANCE WAS 1/2%	8/6/14	2891	REH 4/24/02	
A	CHANGE INSERTS TO 5/16	2/24/05		APPRD. / DATE	
REV	DESCRIPTION	BY / DATE	CCN	REH 4/24/02	
ALL DIMENSIONS ARE IN DECIMAL INCHES TOLERANCES UNLESS OTHERWISE SPECIFIED		THIRD ANGLE PROJECTION ANSI 14.5M		SHOT WEIGHT: 8.50 LBS	NOTES: 1.) .220 NOMINAL WALL
(B) POLYETHYLENE	METAL DECIMAL ± .125" FRACTION ± 1/4" ANGLE ± 1°			SHIPPING WEIGHT: 9.00 LBS	
±1% @ 68°F				FINISH:	



**Den Hartog**  
INDUSTRIES, INC.

Ace Roto-Mold Injection Molding Blow Molding Sowjoy

4010 HOSPERS DRIVE S. BOX 425, HOSPERS, IOWA 51238-0425

DESCRIPTION	10 GALLON RINSE TANK	
SCALE	N.S.	PART NO. SP0010-SQ8