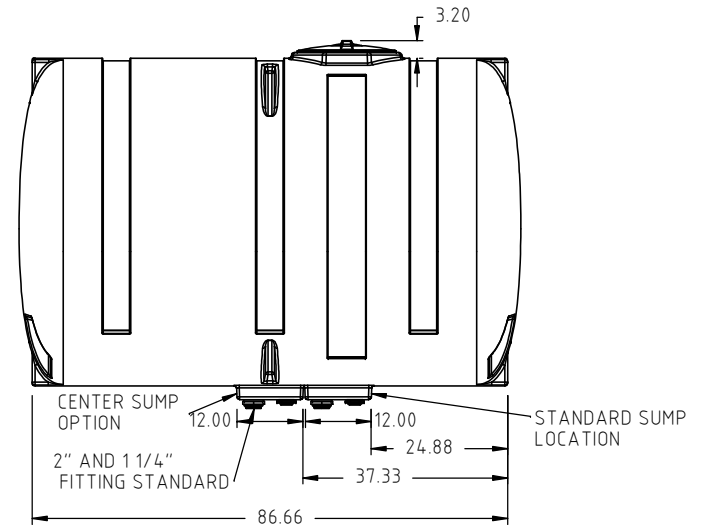
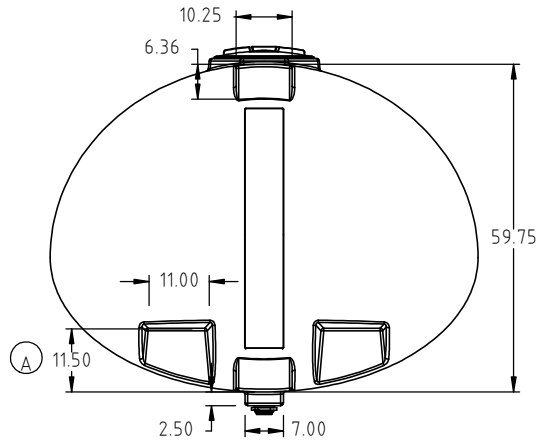
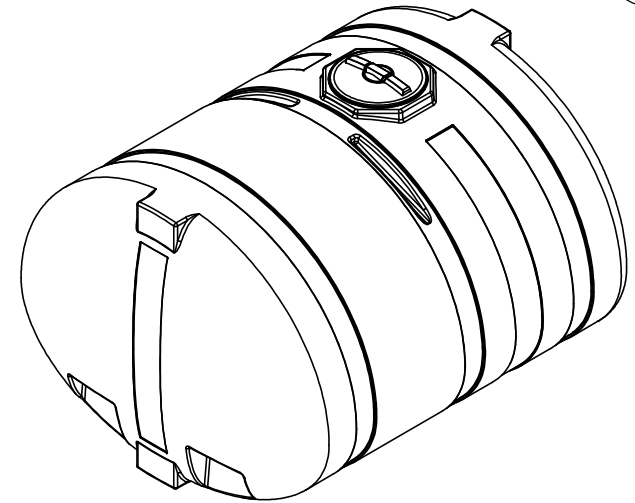
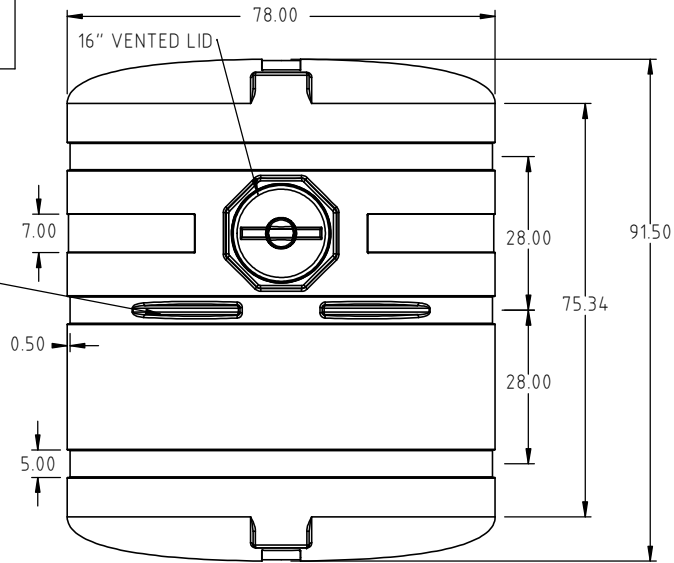


Copyright. All information furnished within this document, electronic file or design correspondence is the property of Den Hartog industries, Inc. and shall not be used, disclosed to others or copied without the expressed written consent of Den Hartog Industries, Inc.

SEE PRINT HE1250-BAF FOR BAFFLE INSTALLATION INSTRUCTIONS



				DRAWN / DATE ADH 8/12/08	MATERIAL 1.) POWDER, 3 MELT (10420)
A	11.50 WAS 15.00. DRAWING TEMPLATE UPDATED.	ADH 2/12/15	3012	APPRD. / DATE REH 8/14/08	
REV	DESCRIPTION	BY / DATE	CCN		
ALL DIMENSIONS ARE IN DECIMAL INCHES TOLERANCES UNLESS OTHERWISE SPECIFIED		THIRD ANGLE PROJECTION ANSI 14.5M		SHOT WEIGHT: 370LBS	NOTES: 1.) 0.400 NOMINAL WALL
POLYETHYLENE ±1% @ 68°F				SHIPPING WEIGHT:	
METAL DECIMAL ± .125" FRACTION ± 1/4" ANGLE ± 1°				FINISH:	



**Den Hartog**  
INDUSTRIES, INC.

Ace Roto-Mold Injection Molding Blow Molding Sowjoy

4010 HOSPERS DRIVE S. BOX 425, HOSPERS, IOWA 51238-0425

DESCRIPTION 1250 GALLON ELLIPTICAL TANK-SHALLOW SUMP	
SCALE N.S.	PART NO. HE1250-78