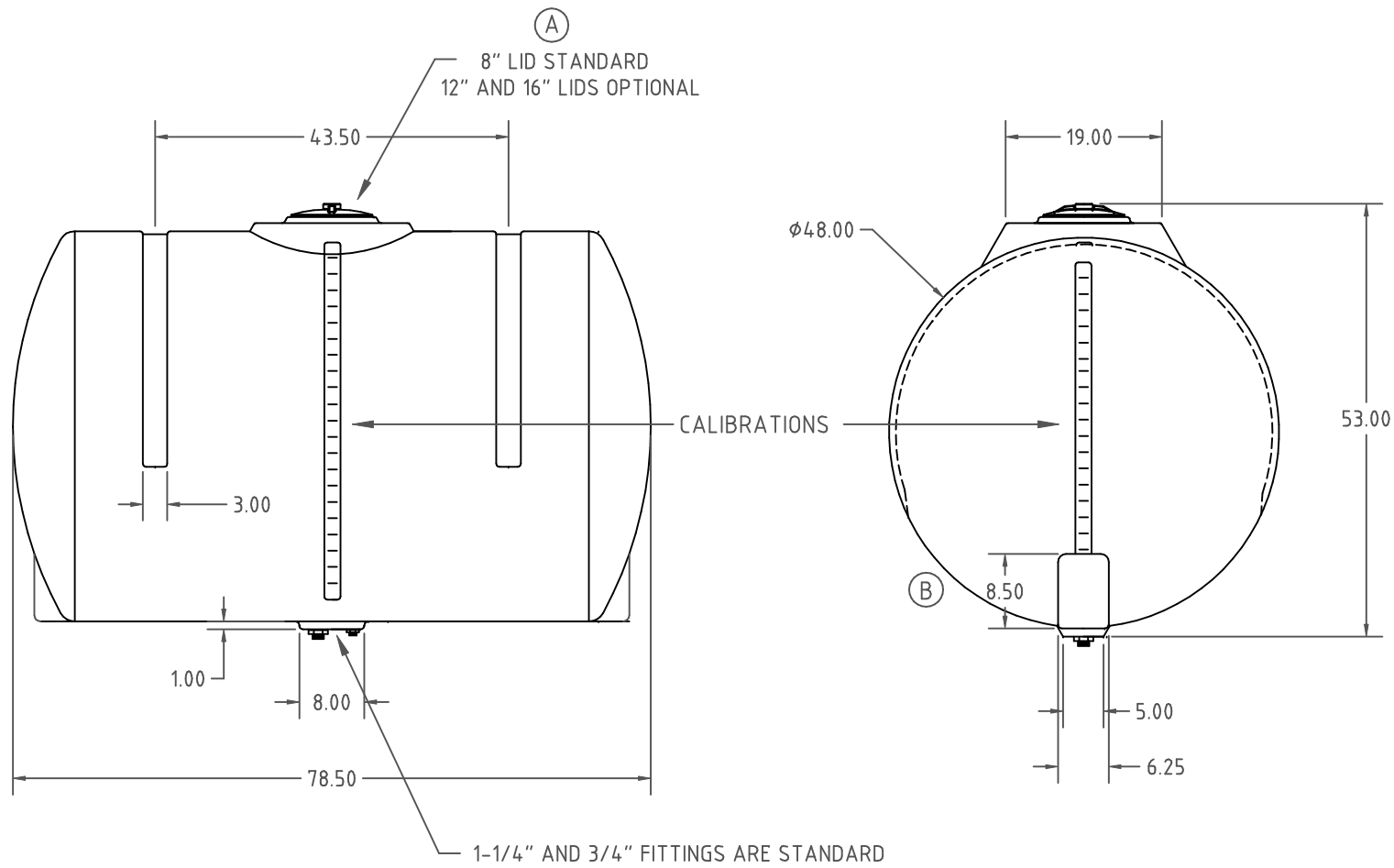



Copyright. All information furnished within this document, electronic file or design correspondence is the property of Den Hartog Industries, Inc. and shall not be used, disclosed to others or copied without the expressed written consent of Den Hartog Industries, Inc.



				DRAWN / DATE NVE 6/9/05	MATERIAL
B	END SUMPS ENLARGED	REH 11/5/10	2127	APPRD. / DATE DHJ 6/21/05	10420
A	12" AND 16" LID OPTIONS ADDED	REH 11/5/10	2127		
REV	DESCRIPTION	BY / DATE	CCN		
ALL DIMENSIONS ARE IN DECIMAL INCHES TOLERANCES UNLESS OTHERWISE SPECIFIED		THIRD ANGLE PROJECTION ANSI 14.5M		SHOT WEIGHT: 122 LB.	NOTES: 1. NOM. WALL @ .210
POLYETHYLENE		METAL		SHIPPING WEIGHT: 124 LB.	
±1% @ 68° F		DECIMAL ± .125" FRACTION ± 1/4" ANGLE ± 1°		FINISH:	



Den Hartog
INDUSTRIES, INC.

Ace Roto-Mold Injection Molding Blow Molding Sowjoy
4010 HOSPERS DRIVE S. BOX 425, HOSPERS, IOWA 51238-0425

DESCRIPTION	500 GALLON HORIZONTAL TANK		
SCALE	N.S.	PART NO.	HZ0500-48