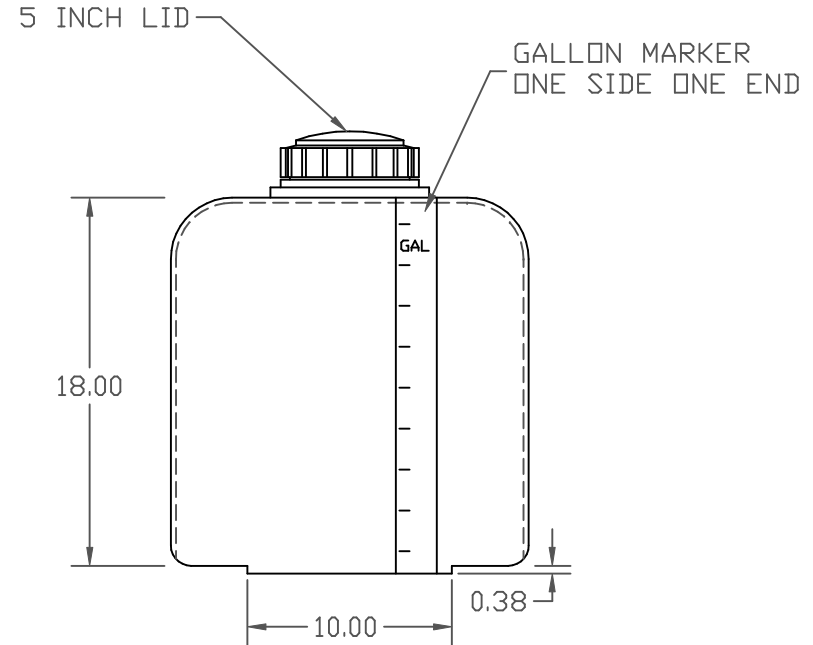
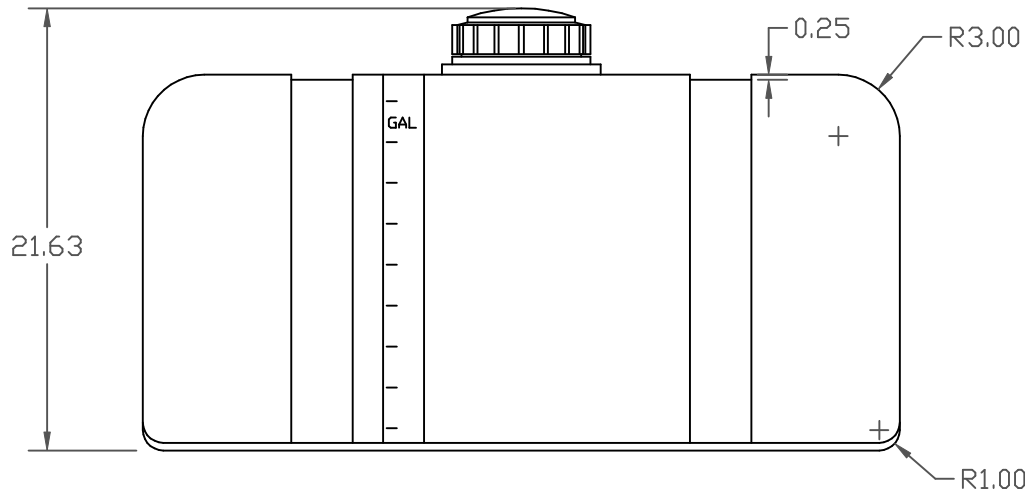
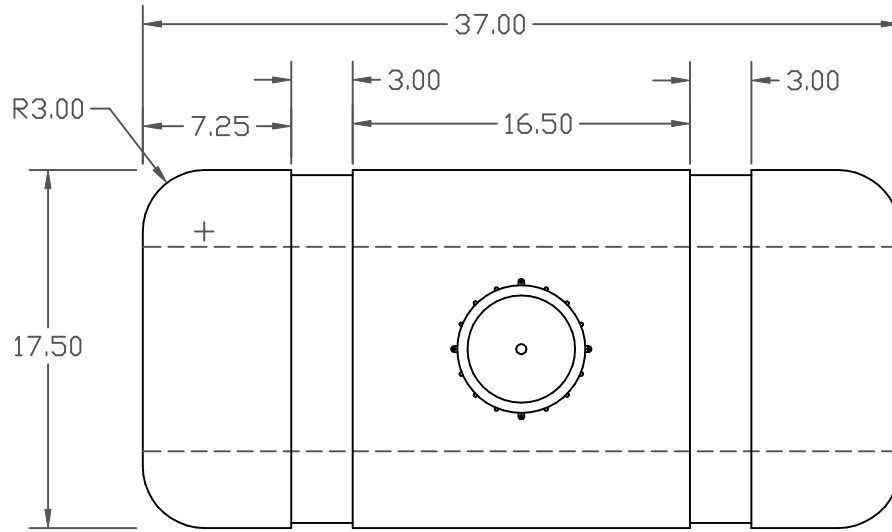


PROPRIETARY DATA


INFORMATION FURNISHED HEREIN IS THE PROPERTY OF DEN HARTOG INDUSTRIES INC. AND SHALL NOT BE USED, DISCLOSED TO OTHERS, OR COPIED WITHOUT EXPRESSED WRITTEN CONSENT OF DEN HARTOG IND. ALL RIGHTS RESERVED.

SP0045-AS

B



|                                                                                                   |               |             |                                          |                                     |
|---------------------------------------------------------------------------------------------------|---------------|-------------|------------------------------------------|-------------------------------------|
| B                                                                                                 | REDRAWN       | 6/19/07     | DRAWN /DATE<br>DHJ 6/18/07               | MATERIAL<br>POLYETHYLENE<br>22 LBS. |
| A                                                                                                 | 17 1/2 WAS 17 | 5/2/02      | APPRD. /DATE<br>REH 9/5/07               | NOTES:                              |
| REV                                                                                               | DESCRIPTION   | DATE APPRD. |                                          |                                     |
| ALL DIMENSIONS ARE IN DECIMAL INCHES<br>TOLERANCES UNLESS OTHERWISE SPECIFIED<br><br>± 1 % @ 68°F |               |             | THIRD ANGLE PROJECTION<br>ANSI 14.5M<br> |                                     |

 **Ace Roto-Mold**  
A DIVISION OF DEN HARTOG INDUSTRIES, INC.  
4010 HOSPERS DRIVE SOUTH, BOX 425, HOSPERS, IOWA 51238

CLIENT / DESCRIPTION  
**45 GALLON RECTANGLE**

SCALE NONE      PART NO. SP0045-AS