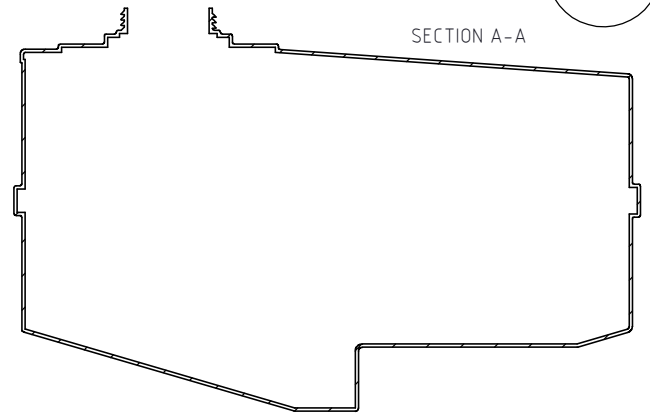
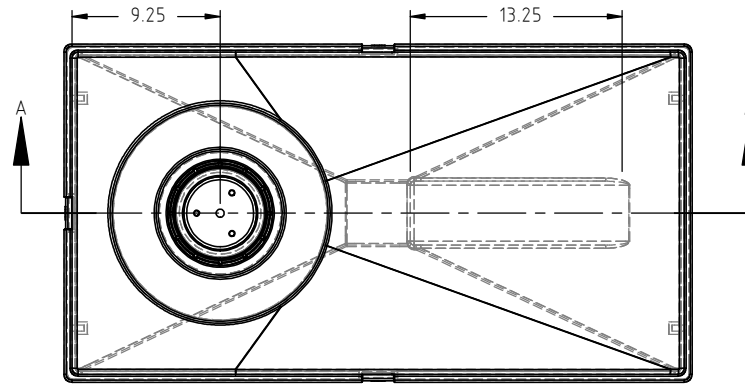
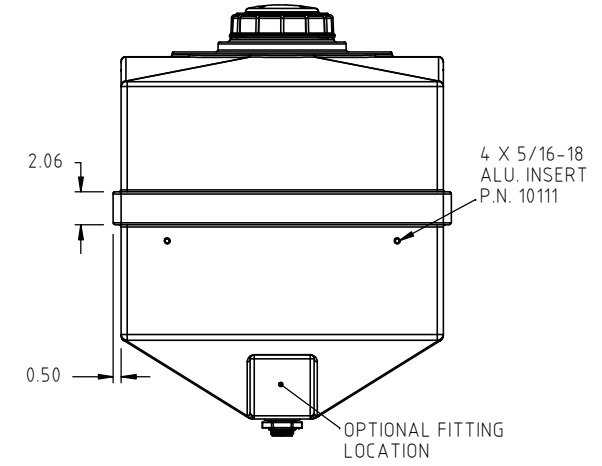
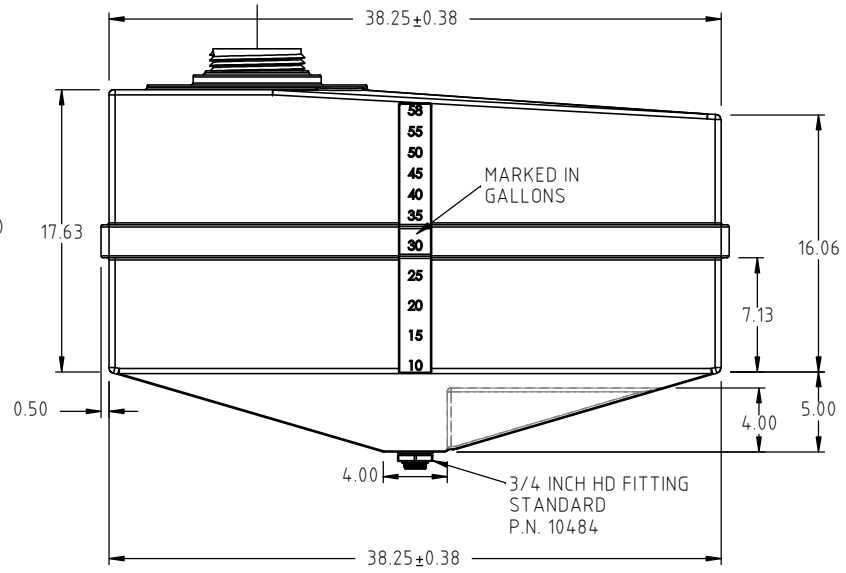
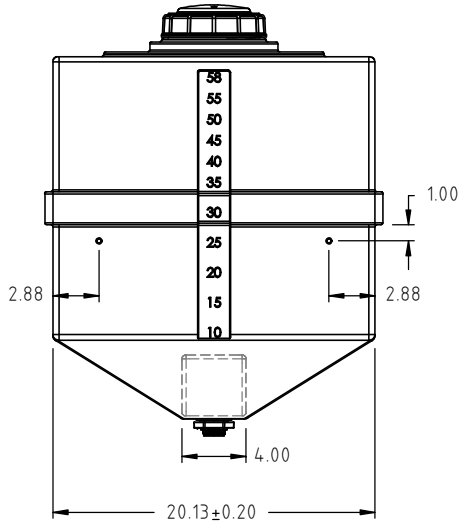


Copyright. All information furnished within this document, electronic file or design correspondence is the property of Den Hartog Industries, Inc. and shall not be used, disclosed to others or copied without the expressed written consent of Den Hartog Industries, Inc.



5 INCH VENTED LID  
P.N. 13696



C	PRINT DIMENSIONS AND DRAWING TEMPLATE UPDATED	ADH 1/14/16	3190	DRAWN / DATE DHJ 2/25/94	MATERIAL  POLYETHYLENE
B	DRAWING WEIGHT 30 WAS 28	ADH 2/6/08	1588	APPRD. / DATE ADH 11/16/07	
A	ADD INSERTS	5/11/05			
REV	DESCRIPTION	BY / DATE	CCN		
ALL DIMENSIONS ARE IN DECIMAL INCHES TOLERANCES UNLESS OTHERWISE SPECIFIED		THIRD ANGLE PROJECTION ANSI 14.5M		SHOT WEIGHT: 30.00 LBS	NOTES: 1.) FLATNESS WITHIN 0.375"
POLYETHYLENE		METAL DECIMAL ± .125" FRACTION ± 1/4" ANGLE ± 1°		SHIPPING WEIGHT: 31.00 LBS	
±1% @ 68°F				FINISH:	



**Den Hartog**  
INDUSTRIES, INC.

Ace Roto-Mold Injection Molding Blow Molding Sowjoy

4010 HOSPERS DRIVE S. BOX 425, HOSPERS, IOWA 51238-0425

DESCRIPTION	56 GALLON TOTAL DRAIN RECTANGLE	
SCALE	N.S.	PART NO. SP0056-RT