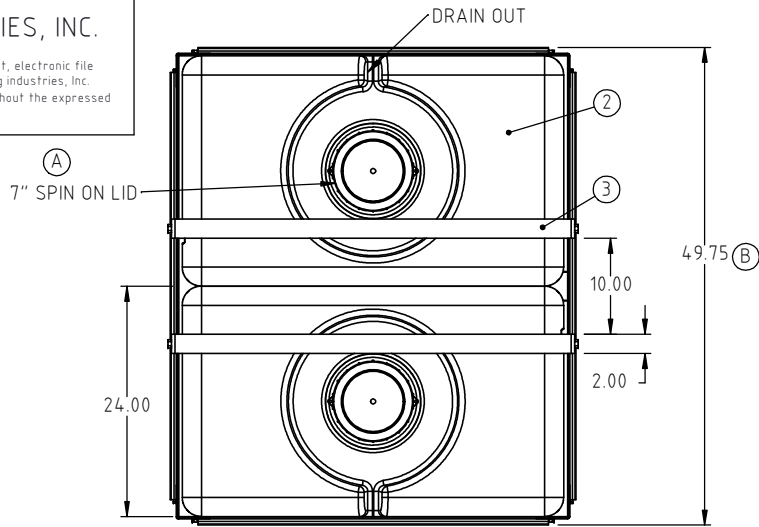


© DEN HARTOG INDUSTRIES, INC.

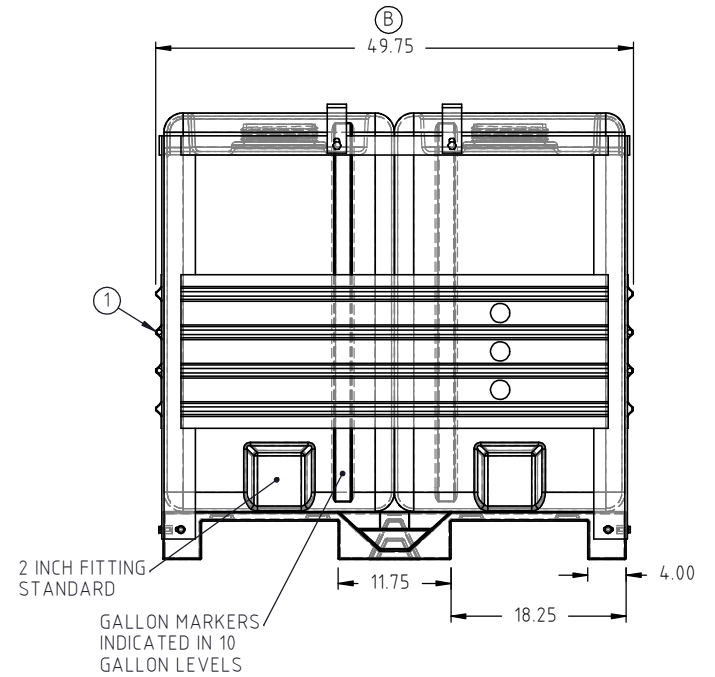
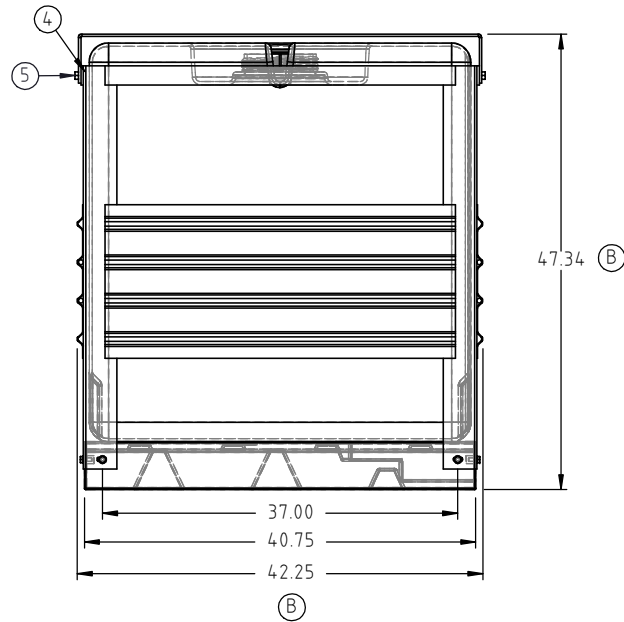
Copyright. All information furnished within this document, electronic file or design correspondence is the property of Den Hartog Industries, Inc. and shall not be used, disclosed to others or copied without the expressed written consent of Den Hartog Industries, Inc.

SP0150-2TPP

C



KEY	PART NUMBER	DESCRIPTION	QTY.
1	SP150-300PPFR	SP, PALLET PACK FRAME AND PALLET	1
2	SP0150-PPTK	SP, PALLET PACK 150 GALLON	2
3	SP150-PPTB	SP. PALLET PACK TOP BAR	2
4	10126	NUT, 1/2"-13 GR 2 ZINC	4
5	12437	BOLT, 1/2" X 1" HEX GR5 ZINC	4



C	356.00 LBS WAS 270.00 LBS	ADH 1/23/14	2789	DRAWN / DATE NVE 6/24/05	MATERIAL
B	TABLE ADDED, DRAWING TEMPLATE AND DIMENSIONS UPDATED	ADH 2/2/11	2123	APPRD. / DATE DHJ 9/21/05	
A	CHANGE TO 7" LID	GWC 6/29/07	1308		
REV	DESCRIPTION	BY / DATE	CCN		
ALL DIMENSIONS ARE IN DECIMAL INCHES TOLERANCES UNLESS OTHERWISE SPECIFIED		THIRD ANGLE PROJECTION ANSI 14.5M		SHOT WEIGHT:	NOTES:
POLYETHYLENE		METAL DECIMAL ± .125" FRACTION ± 1/4" ANGLE ± 1°		SHIPPING WEIGHT: 356.00 LBS	
±1% @ 68°F				FINISH: C	



**Den Hartog**  
INDUSTRIES, INC.

Ace Roto-Mold Injection Molding Blow Molding Sowjoy

4010 HOSPERS DRIVE S. BOX 425, HOSPERS, IOWA 51238-0425

DESCRIPTION	150 GALLON PALLET PACK 2 TANKS, PALLET, FRAME	
SCALE	N.S.	PART NO. SP0150-2TPP