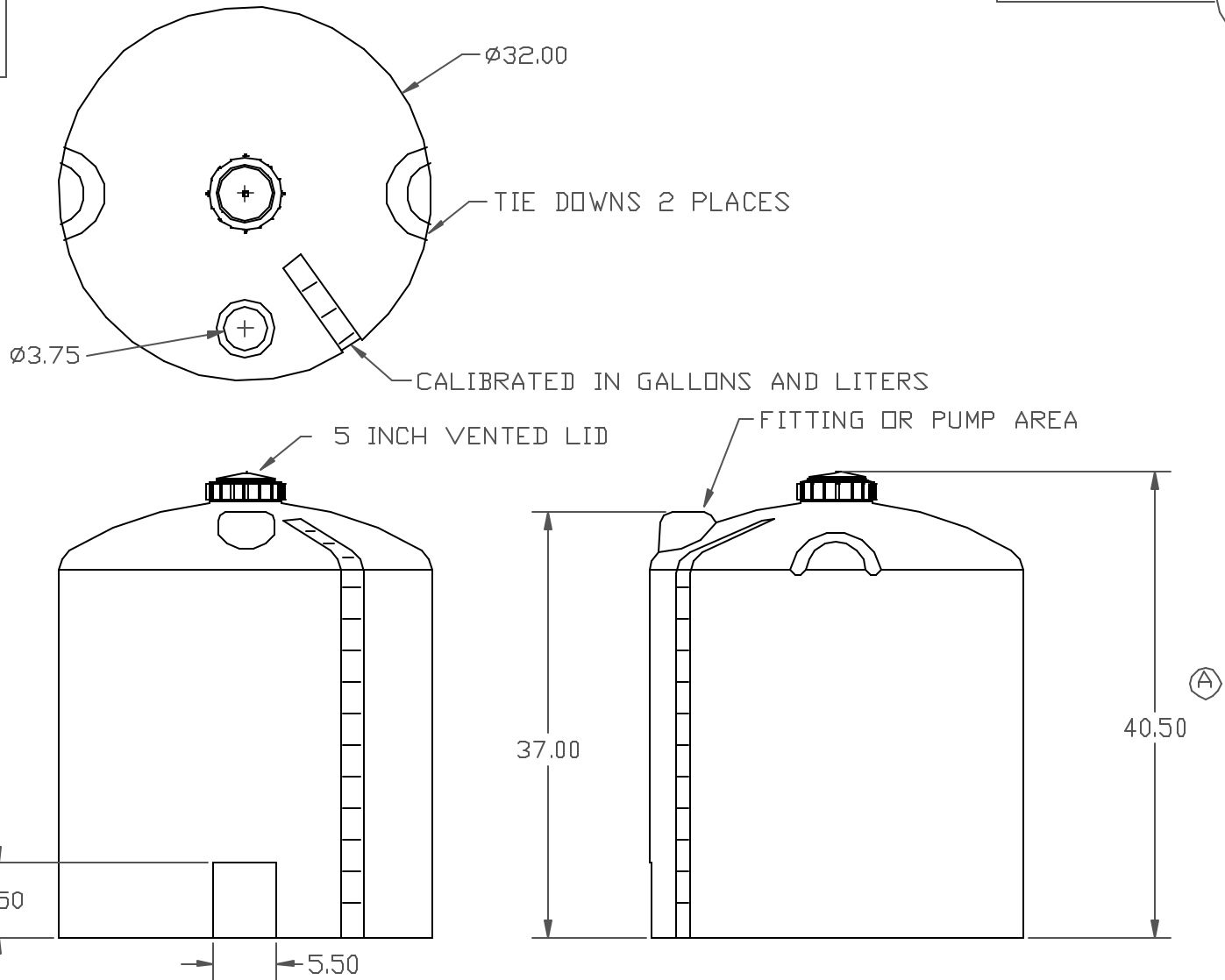



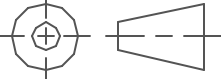
PROPRIETARY DATA

PROPERTY OF ACE ROTO-MOLD MFG., INC. INFORMATION FURNISHED HEREIN IS THE PROPERTY OF ACE ROTO-MOLD MFG., INC. AND SHALL NOT BE USED, DISCLOSED TO OTHERS, OR COPIED WITHOUT THE EXPRESSED WRITTEN CONSENT OF ACE ROTO-MOLD MFG., INC. ALL RIGHTS RESERVED.

VT0110-32

A



				DRAWN / DATE DHJ 12/17/02		MATERIAL		 ACE ROTO-MOLD A DIVISION OF DEN HARTOG INDUSTRIES, INC. 4018 HWY. 60 BLVD., BOX 421, HOSPERS, IOWA 51238	
				APPRD. / DATE REH 4/11/07		HDPE OR EQUIVALENT REFERENCE MATERIAL DATA SHEET FOR SPECIFIC PROPERTIES.			
A	WAS 39.50	CCN 1290	4/9/07	DHJ	REV		CLIENT / DESCRIPTION		
	DESCRIPTION		DATE	APPRO			110 GALLON VERTICAL TANK		
ALL DIMENSIONS ARE IN DECIMAL INCHES TOLERANCES UNLESS OTHERWISE SPECIFIED $\pm 1\% @ 68^\circ F$					THIRD ANGLE PROJECTION ANS 14.5M 		NOTES: 1. GREEN, WHITE, OR YELLOW COLOR 2. SHOT WEIGHT 4# LBS. 3. NOM. WALL 22# 4. 2 INCH STANDARD FITTING		
					SCALE		PART NO.		
					N.S.		VT0110-32		