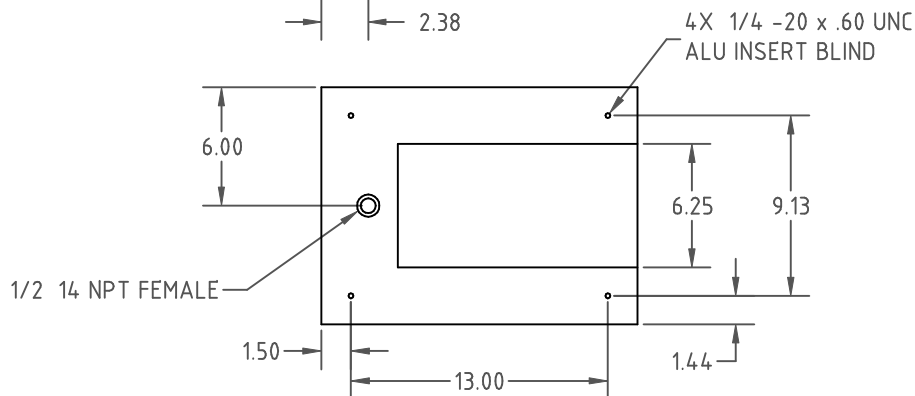
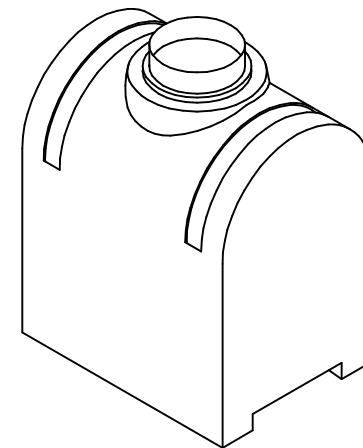
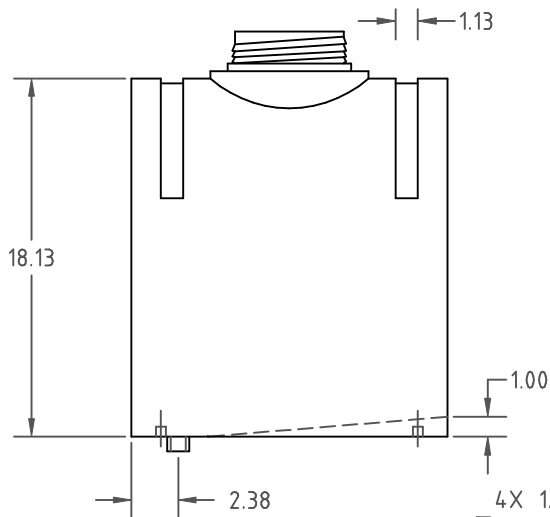
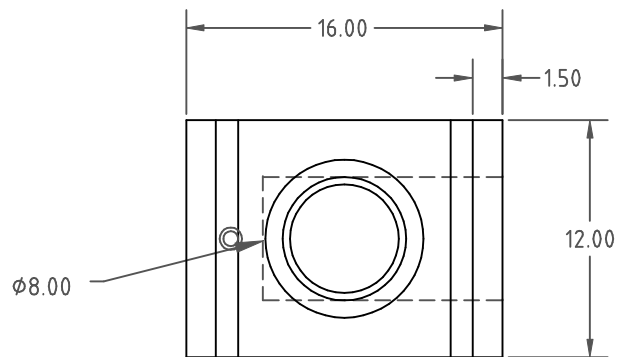
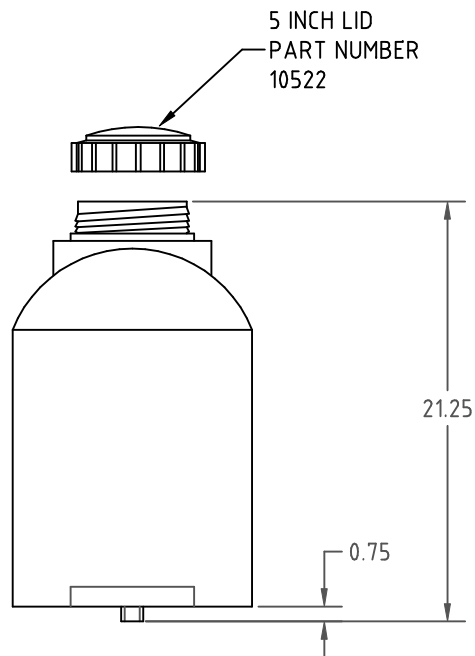


PROPRIETARY DATA

PROPERTY OF ACE ROTO-MOLD MFG., INC. INFORMATION FURNISHED HEREIN IS THE PROPERTY OF ACE ROTO-MOLD MFG., INC. AND SHALL NOT BE USED, DISCLOSED TO OTHERS, OR COPIED WITHOUT THE EXPRESSED WRITTEN CONSENT OF ACE ROTO-MOLD MFG., INC. ALL RIGHTS RESERVED.

SP0012-VM



REV	DESCRIPTION	DATE	APPRD

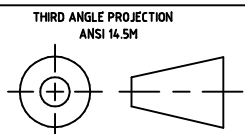
DRAWN / DATE	DHJ 2/19/03
APPRD. / DATE	ADH 11/15/07

MATERIAL	HDPE OR EQUIVALENT REFERENCE MATERIAL DATA SHEET FOR SPECIFIC PROPERTIES.
----------	---

CLIENT / DESCRIPTION	12 GALLON LOAF TANK
----------------------	---------------------

ALL DIMENSIONS ARE IN DECIMAL INCHES
TOLERANCES UNLESS OTHERWISE SPECIFIED

± 1% @ 68° F



NOTES:
1. YELLOW OR WHITE COLOR
2. SHOT WEIGHT 9 LBS.

SCALE	N.S.
-------	------

PART NO.	SP0012-VM
----------	-----------

ACE ROTO-MOLD
A DIVISION OF DEN HARTOG INDUSTRIES, INC.
4010 HOSPERS DRIVE SOUTH, BOX 425, HOSPERS, IA 51238