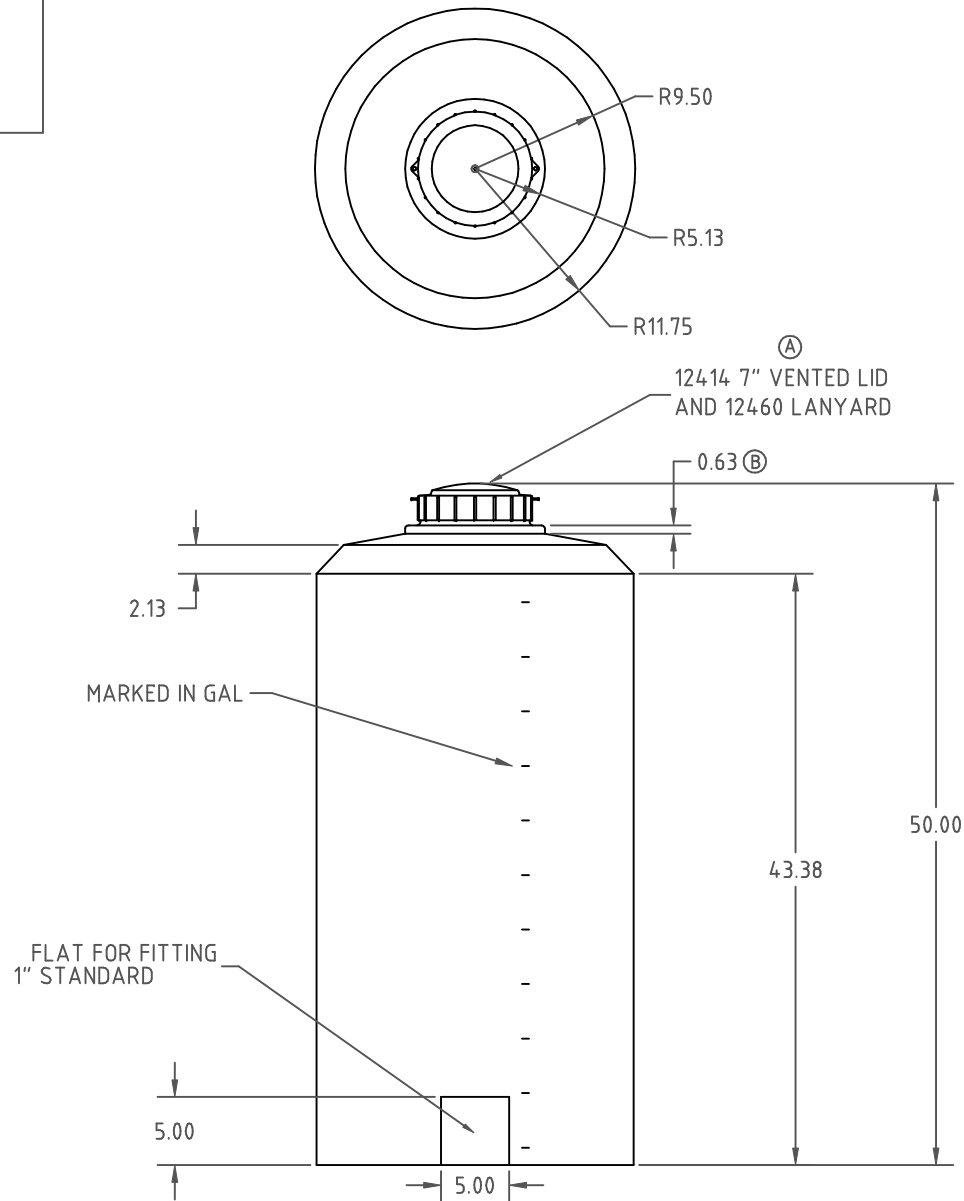


PROPRIETARY DATA


PROPERTY OF ACE ROTO-MOLD MFG., INC. INFORMATION FURNISHED HEREIN IS THE PROPERTY OF ACE ROTO-MOLD MFG., INC. AND SHALL NOT BE USED, DISCLOSED TO OTHERS, OR COPIED WITHOUT THE EXPRESSED WRITTEN CONSENT OF ACE ROTO-MOLD MFG., INC. ALL RIGHTS RESERVED.

VT0075-23

B



			DRAWN /DATE DHJ 3/29/05	MATERIAL / SHOT WEIGHT
B	ADDED LID BOSS CCN 1415	DHJ 8/8/07		
A	CHANGE TO 7" LID CCN 1374	GWC 6/29/07	APPRD. /DATE	HDPE / 28 LBS.
REV	DESCRIPTION	DATE APPRD.	GWC 6/29/07	
ALL DIMENSIONS ARE IN DECIMAL INCHES TOLERANCES UNLESS OTHERWISE SPECIFIED ± 1% @ 68° F			THIRD ANGLE PROJECTION ANSI 14.5M 	NOTES: 1. BLACK, WHITE, OR YELLOW COLOR 2. NOM. WALL .200



Ace Roto-Mold

A DIVISION OF DEN HARTOG INDUSTRIES, INC.

CLIENT / DESCRIPTION	
75 GALLON VERTICAL TANK	
SCALE NONE	PART NO. VT0075-23