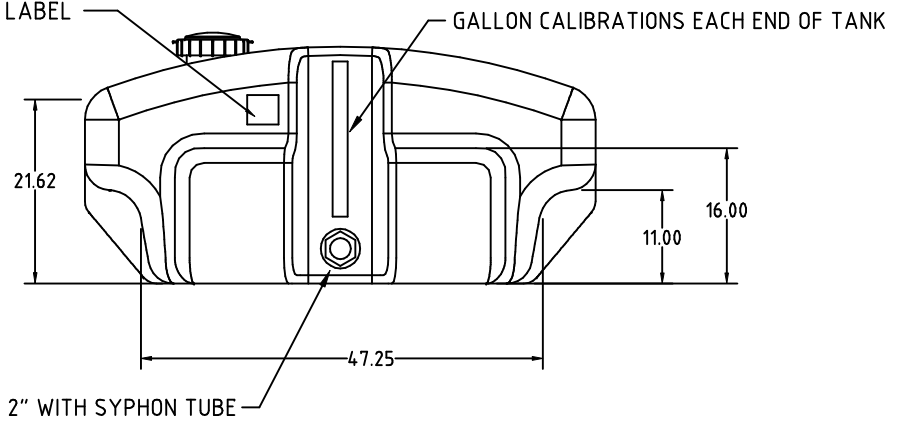
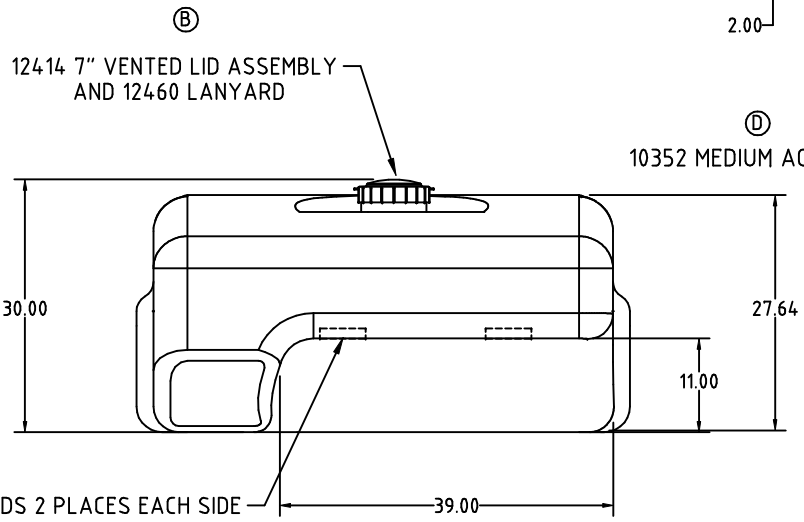
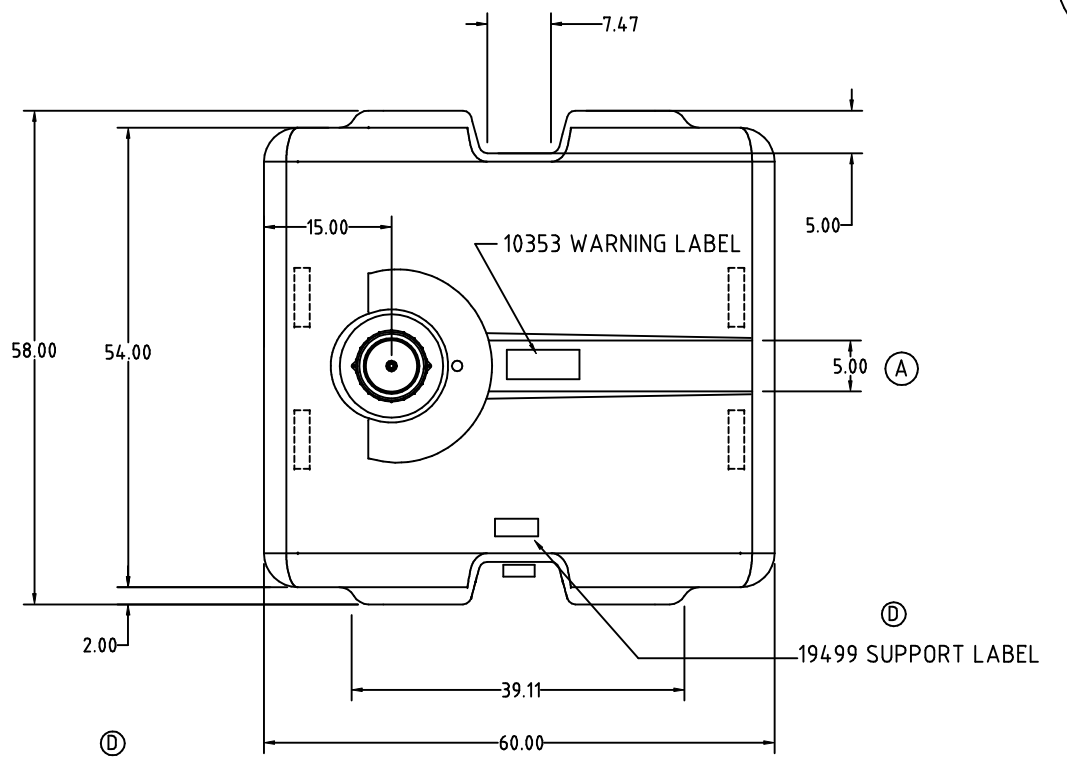



Copyright. All information furnished within this document, electronic file or design correspondence is the property of Den Hartog industries, Inc. and shall not be used, disclosed to others or copied without the expressed written consent of Den Hartog Industries, Inc.



D	CHANGED WEIGHT, CHANGED LABELING	10/8/10	CCN2095
C	ADDED 120LB. FOR 1.7 S.G. MODEL	6/7/10	CCN2032
B	CHANGED TO 7" LID	6/22/07	CCN1362
A	ADDED TOP RIB	8/7/06	
REV	DESCRIPTION	BY / DATE	CCN
ALL DIMENSIONS ARE IN DECIMAL INCHES TOLERANCES UNLESS OTHERWISE SPECIFIED			
POLYETHYLENE		THIRD ANGLE PROJECTION ANSI 14.5M	
METAL			
±1% @ 68° F		DECIMAL ± .125" FRACTION ± 1/4" ANGLE ± 1°	

DRAWN / DATE	MATERIAL
REH 12/29/05	10420 3 MELT
APPRD. / DATE	
DHJ 12/29/05	
SHOT WEIGHT:	NOTES:
105 LB. (D)	1. NOM. WALL = .250
SHIPPING WEIGHT:	(C) (D)
107 LB.	
FINISH:	



Den Hartog

INDUSTRIES, INC.
Ace Roto-Mold Injection Molding Blow Molding Sowjoy
4010 HOSPERS DRIVE S. BOX 425, HOSPERS, IOWA 51238-0425

DESCRIPTION	305 GALLON PICKUP TANK		
SCALE	N.S.	PART NO.	PU0305-60