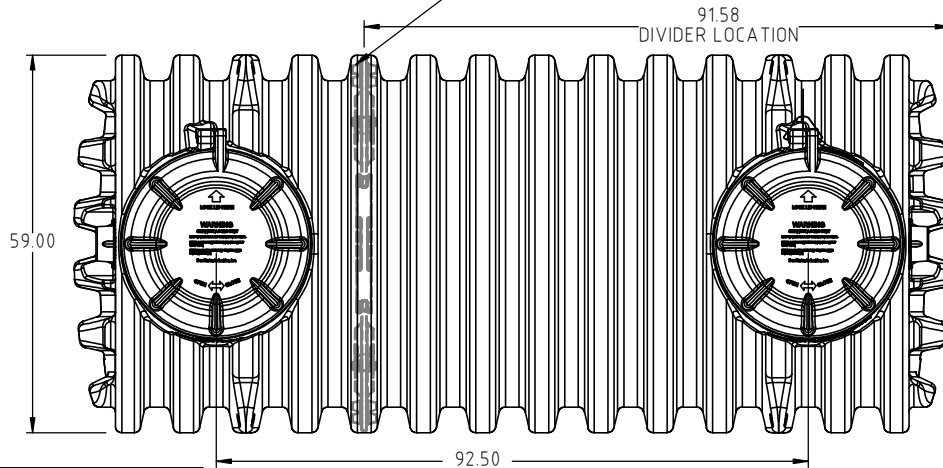
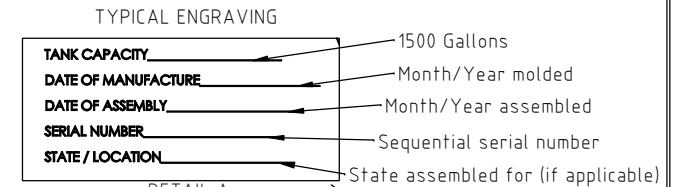
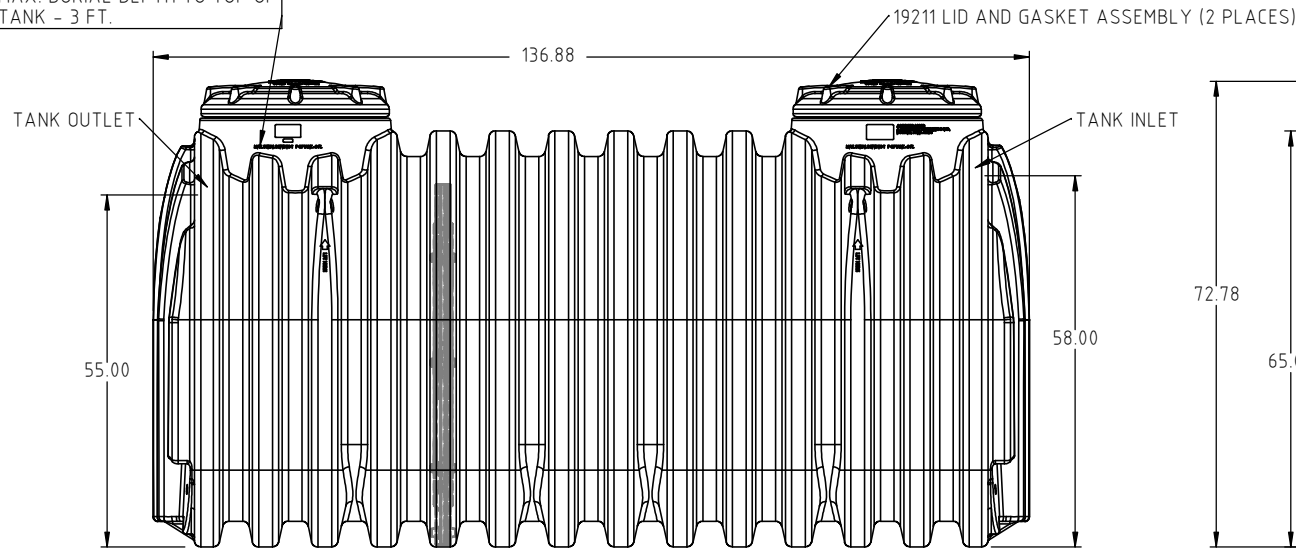


Copyright. All information furnished within this document, electronic file or design correspondence is the property of Den Hartog Industries, Inc. and shall not be used, disclosed to others or copied without the expressed written consent of Den Hartog Industries, Inc.

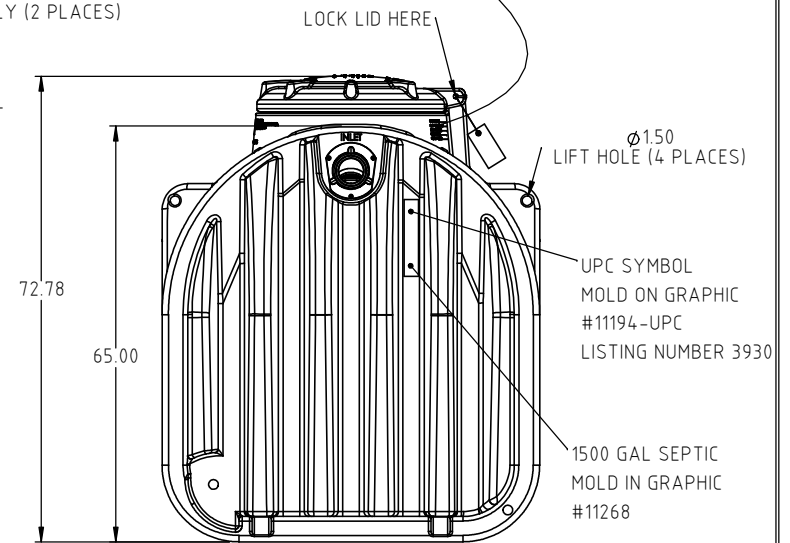
FACTORY INSTALLED DIVIDER PANEL  
REFERENCE DRAWING BY STATE FOR  
INSTALLATION DETAILS



MAX. BURIAL DEPTH TO TOP OF TANK - 3 FT.



DETAIL A  
SCALE 1:5



D	550.00 LBS WAS 500.00 LBS	ADH 3/1/17	3358		
C	PRINT DIMENSIONS/LAYOUT UPDATED. NSF GRAPHIC REMOVED.	ADH 2/28/17	3354	DRAWN / DATE REH 3/15/04	MATERIAL  SEE COMPONENTS
B	ADD UPC & NSF GRAPHIC	DHJ 5/25/07		APPR. / DATE REH 3/15/04	
A	ADD PUBLICATION REF.	NVE 9/30/05			
REV	DESCRIPTION	BY / DATE	CCN		
ALL DIMENSIONS ARE IN DECIMAL INCHES TOLERANCES UNLESS OTHERWISE SPECIFIED		THIRD ANGLE PROJECTION ANSI 14.5M		SHOT WEIGHT: 550.00 LBS.	NOTES: 1.) TANK NOM. WALL @ .250 2.) YELLOW COLOR
POLYETHYLENE		METAL DECIMAL ± .125" FRACTION ± 1/4" ANGLE ± 1°		SHIPPING WEIGHT: 630.00 LBS.	
±1% @ 68°F		FINISH:			



**Den Hartog**  
INDUSTRIES, INC.

Ace Roto-Mold Injection Molding Blow Molding Sowjoy

4010 HOSPERS DRIVE S. BOX 425, HOSPERS, IOWA 51238-0425

DESCRIPTION	1500 GAL. TWO COMPARTMENT SEPTIC TANK ASSEMBLY	
SCALE	N.S.	PART NO. AST-1500-2