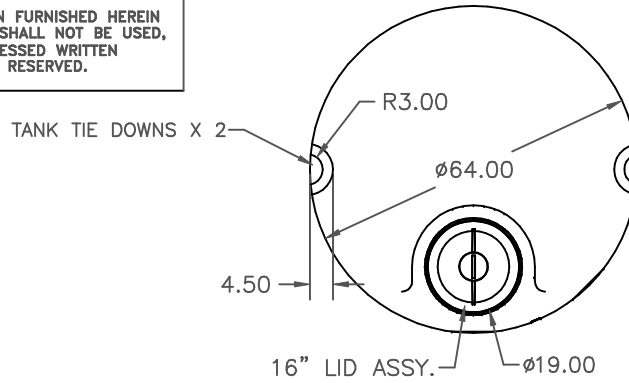


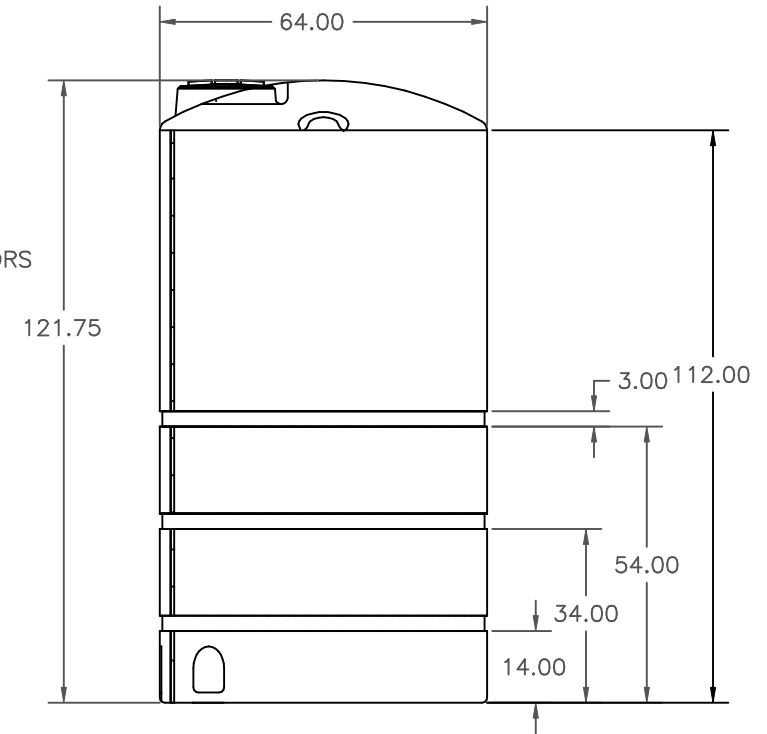
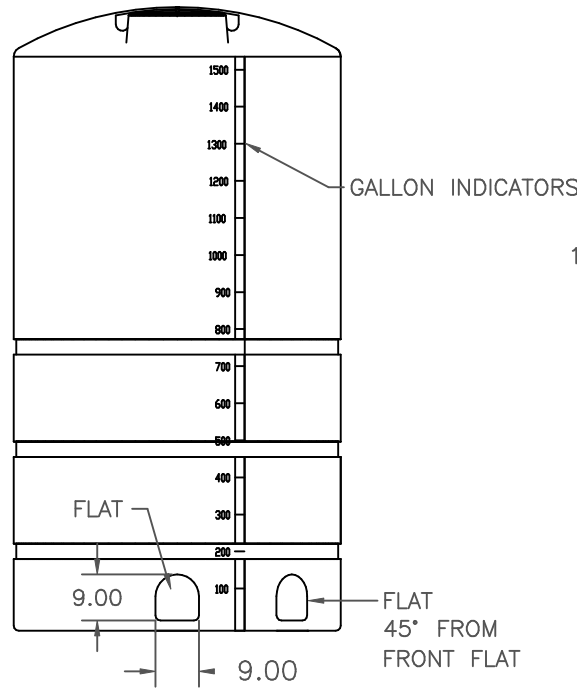
PROPRIETARY DATA


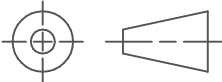
VT1525-64

PROPERTY OF ACE ROTO-MOLD MFG., INC. INFORMATION FURNISHED HEREIN IS THE PROPERTY OF ACE ROTO-MOLD MFG., INC. AND SHALL NOT BE USED, DISCLOSED TO OTHERS, OR COPIED WITHOUT THE EXPRESSED WRITTEN CONSENT OF ACE ROTO-MOLD MFG., INC. ALL RIGHTS RESERVED.



1. HEAVY DUTY POLYETHYLENE CONSTRUCTION
2. 1 PIECE ROTATIONALLY MOLDED
3. TRANSLUCENT
4. FDA APPROVED RESIN
5. CALIBRATED IN GALLONS
6. THREE YEAR WARRANTY
7. UV STABILIZED



		DRAWN / DATE DHJ/1/2/03		MATERIAL / SHOT WEIGHT		 Ace Roto-Mold A DIVISION OF DEN HARTOG INDUSTRIES, INC.	
		APPRD. / DATE ADH/11/20/07		350 LBS.			
REV	DESCRIPTION	DATE APPRD.	THIRD ANGLE PROJECTION ANSI 14.5M		NOTES: 1.NOM. WALL .340		CLIENT / DESCRIPTION
ALL DIMENSIONS ARE IN DECIMAL INCHES TOLERANCES UNLESS OTHERWISE SPECIFIED ±1% @ 68° F							ACE 1525 GALLON VERTICAL TANK
				SCALE	PART NO.		
				N.S	VT1525-64		