

PROPRIETARY DATA

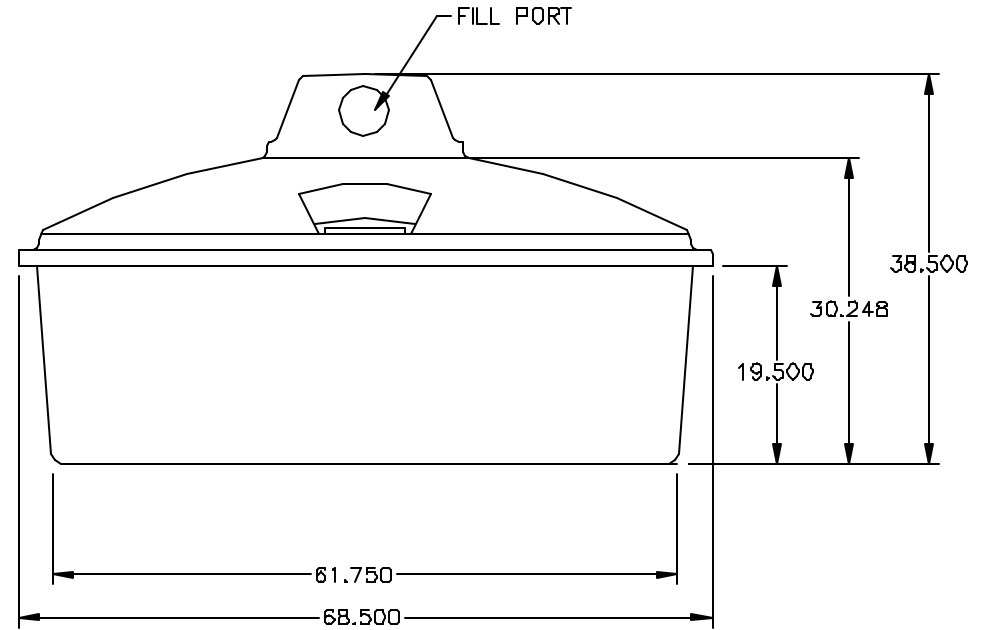
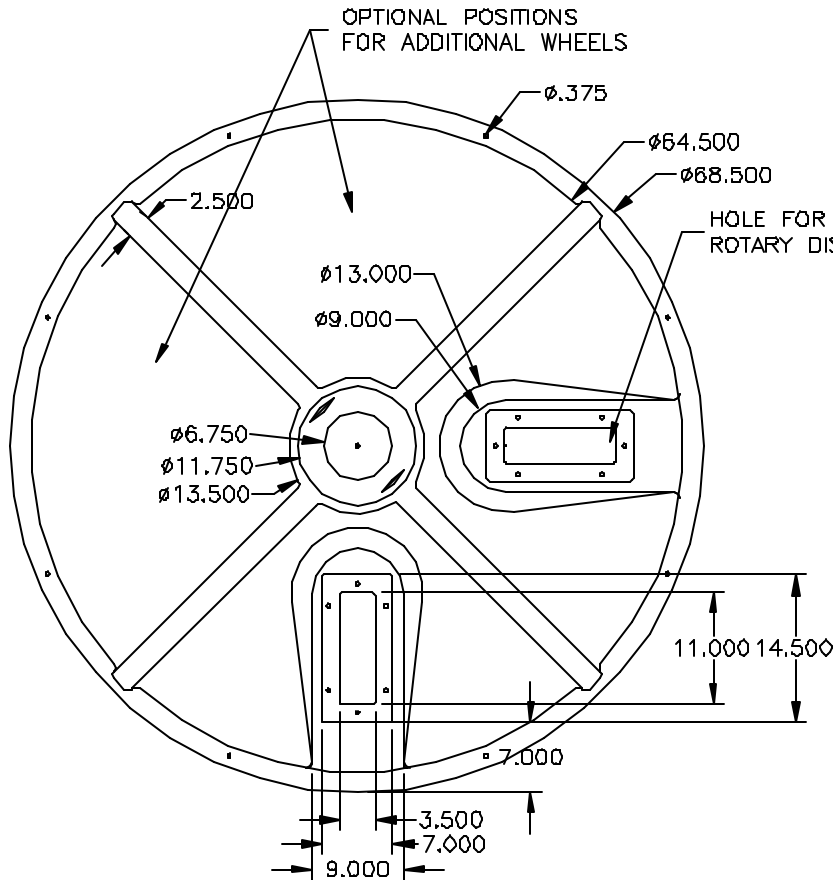
PROPERTY OF ACE ROTO-MOLD MFG., INC. INFORMATION FURNISHED HEREIN IS THE PROPERTY OF ACE ROTO-MOLD MFG., INC. AND SHALL NOT BE USED, DISCLOSED TO OTHERS, OR COPIED WITHOUT THE EXPRESSED WRITTEN CONSENT OF ACE ROTO-MOLD MFG., INC. ALL RIGHTS RESERVED.

LTA285-68

FEATURES:

1. MADE FROM LOW-DENSITY POLYETHYLENE WITH U.V. INHIBITORS
2. DESIGNED FOR LIQUIDS OF UP TO 1.5 SPECIFIC GRAVITY
3. TANK WALLS ARE TRANSLUCENT
4. EQUIPPED WITH GALLON INDICATOR ON SIDE OF TANK
5. USES UP TO FOUR 24 INCH WHEELS

(WHEELS SOLD SEPERATELY)



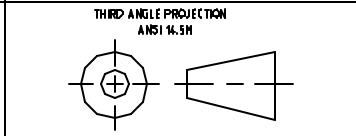
REV	DESCRIPTION	DATE	APPRD

DRAWN / DATE NVE 6/14/15
APPRD. / DATE DHJ 6/22/15

MATERIAL LDPE OR EQUIVALENT REFERENCE MATERIAL DATA SHEET FOR SPECIFIC PROPERTIES.

 A DIVISION OF DEN HARTOG INDUSTRIES, INC. 4018 HWY. 61 BLVD., BOX 421, HOSPERS, IOWA 51238
CLIENT / DESCRIPTION 285 GALLON LIQUID FEEDER TANK

ALL DIMENSIONS ARE IN DECIMAL INCHES
 TOLERANCES UNLESS OTHERWISE SPECIFIED
 ± 1% @ 68° F



NOTES:
 1. NOM. WALL @ .221
 2. YELLOW COLOR
 3. SHOT WEIGHT 98 LBS.

SCALE N.S.	PART NO. LTA285-68
---------------	-----------------------