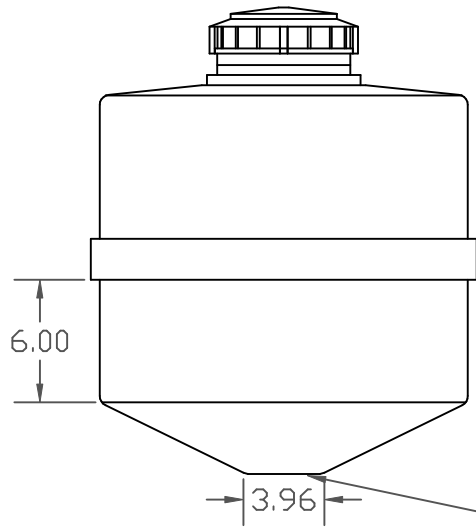
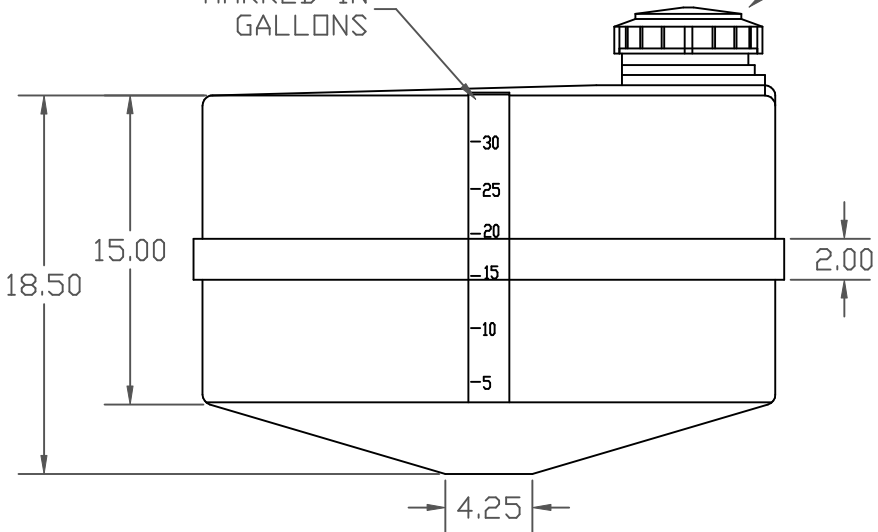

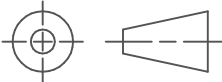


MARKED IN GALLONS

5 INCH SPIN ON LID



FLAT FOR FITTING 1 INCH STANDARD

		DRAWN / DATE DHJ 5/14/04		MATERIAL / SHOT WEIGHT 17 LBS.		 Ace Roto-Mold A DIVISION OF DEN HARTOG INDUSTRIES, INC.	
		APPRD. / DATE ADH 11/15/07		NOTES: 0.200 WALL			
REV	DESCRIPTION	DATE	APPRD.	THIRD ANGLE PROJECTION ANSI 14.5M		CLIENT / DESCRIPTION 35 GALLON RECTANGLE	
ALL DIMENSIONS ARE IN DECIMAL INCHES TOLERANCES UNLESS OTHERWISE SPECIFIED ±1% @ 68°F						PART NO. SP0035-RT	
						SCALE NONE	