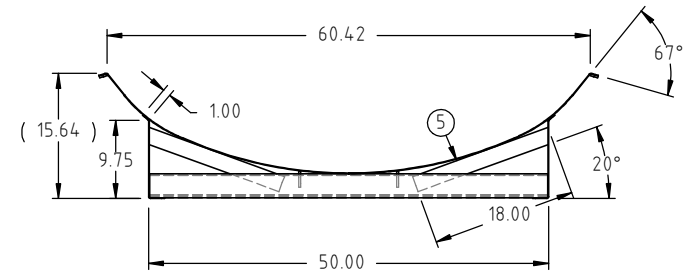
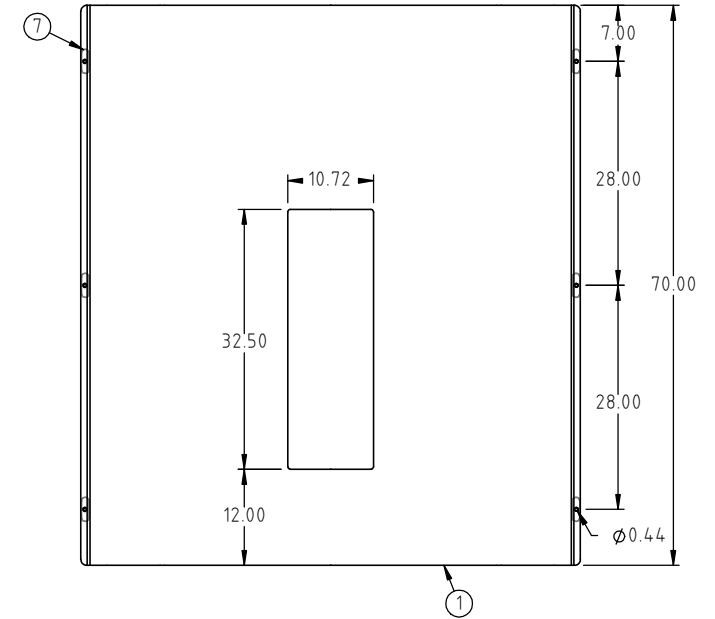
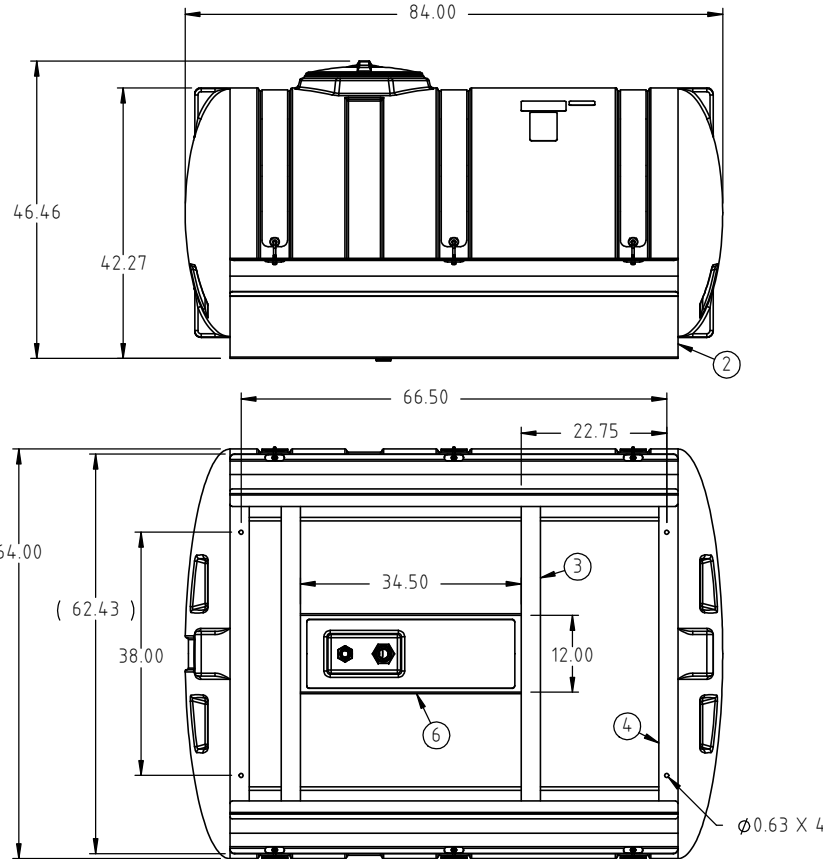


© DEN HARTOG INDUSTRIES, INC.

Copyright. All information furnished within this document, electronic file or design correspondence is the property of Den Hartog Industries, Inc. and shall not be used, disclosed to others or copied without the expressed written consent of Den Hartog Industries, Inc.

HE0600-C

KEY	PART NUMBER	DESCRIPTION	QTY.
1	HE0600-C-1	PAN	1
2	HE0600-C-2	SIDE PANEL	2
3	HE0600-C-3	BASE ANGLE	2
4	HE0600-C-4	BASE ANGLE (HOLES)	2
5	HE0600-C-5	SUPPORT STRAP	4
6	HE0600-C-5	SUPPORT STRAP	2
7	SJHZ0232C-4	STRAP SUPPORT	6



				DRAWN / DATE ADH 11/24/15	MATERIAL SEE COMPONENTS
				APPROD. / DATE REH 5/27/16	
REV	DESCRIPTION	BY / DATE	CCN		
ALL DIMENSIONS ARE IN DECIMAL INCHES TOLERANCES UNLESS OTHERWISE SPECIFIED		THIRD ANGLE PROJECTION ANSI 14.5M		SHOT WEIGHT:	NOTES: 1) CRADLE ONLY: 217.00 LBS 2) CRADLE WITH BANDS: 243.00 LBS 3) CRADLE WITH BANDS AND TANK: 428.00 LBS
POLYETHYLENE ±1% @ 68°F		METAL DECIMAL ± .125" FRACTION ± 1/4" ANGLE ± 1°		SHIPPING WEIGHT: SEE NOTES	
		FINISH: POWDER COATING, BLACK TILE, 40012			



Den Hartog
INDUSTRIES, INC.

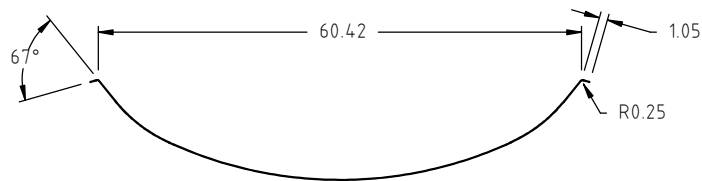
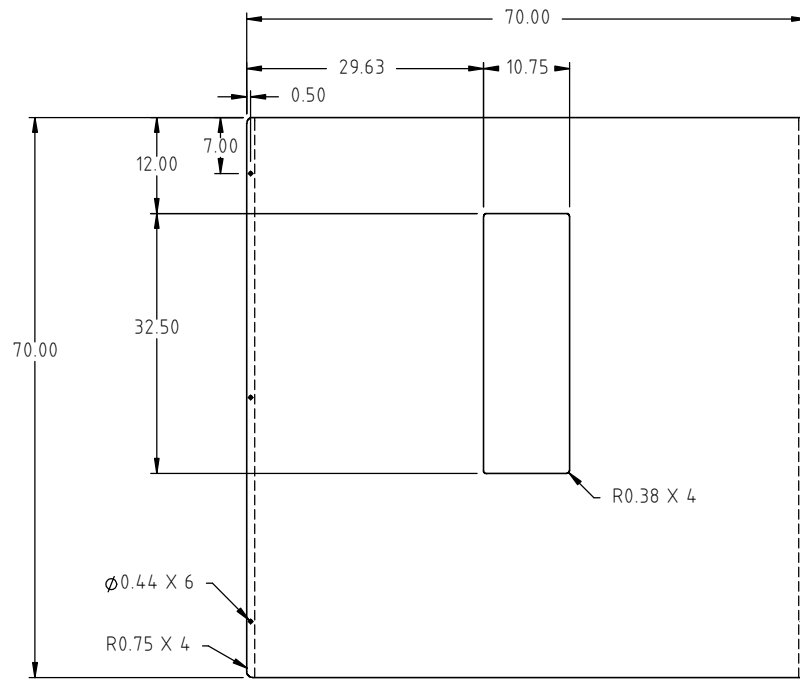
Ace Roto-Mold Injection Molding Blow Molding Sowjoy

4010 HOSPERS DRIVE S. BOX 425, HOSPERS, IOWA 51238-0425

DESCRIPTION	600 GALLON ELLIPTICAL TANK CRADLE ASSEMBLY	
SCALE	N.S.	PART NO. HE0600-C

Copyright. All information furnished within this document, electronic file or design correspondence is the property of Den Hartog Industries, Inc. and shall not be used, disclosed to others or copied without the expressed written consent of Den Hartog Industries, Inc.

FLAT PATTERN



				DRAWN / DATE ADH 11/12/15	MATERIAL 1.) SHEET, 14 GA MILD STEEL
				APPROD. / DATE REH 5/27/16	
REV	DESCRIPTION	BY / DATE	CCN		
ALL DIMENSIONS ARE IN DECIMAL INCHES TOLERANCES UNLESS OTHERWISE SPECIFIED		THIRD ANGLE PROJECTION ANSI 14.5M		SHOT WEIGHT: N.A.	NOTES:
POLYETHYLENE	METAL DECIMAL ± .125" FRACTION ± 1/4" ANGLE ± 1°			SHIPPING WEIGHT: N.A.	
±1% @ 68°F				FINISH: DEBUR	



Den Hartog
INDUSTRIES, INC.

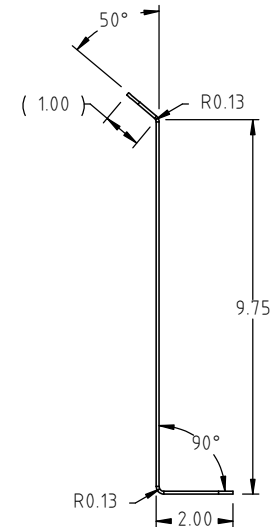
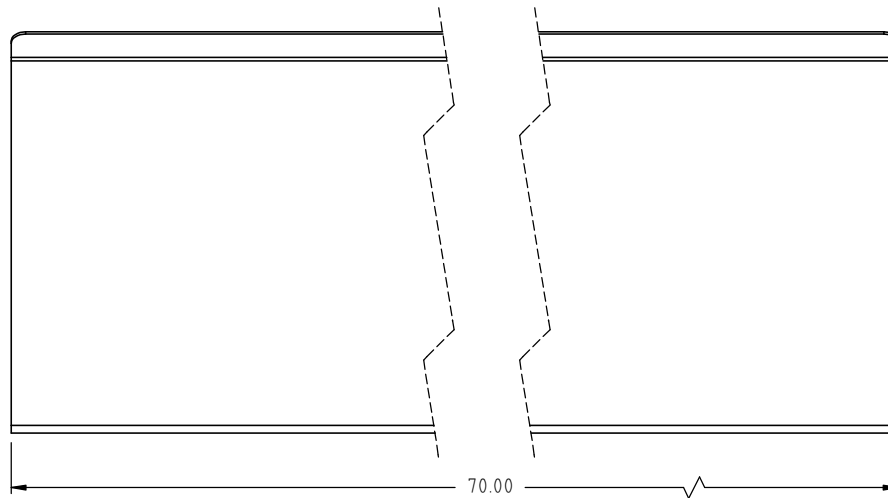
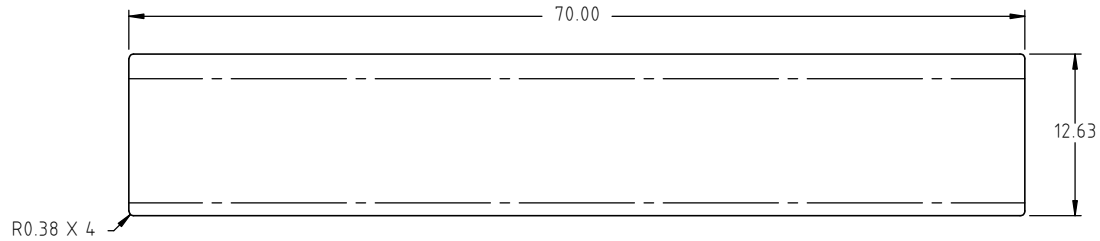
Ace Roto-Mold Injection Molding Blow Molding Sowjoy

4010 HOSPERS DRIVE S. BOX 425, HOSPERS, IOWA 51238-0425

DESCRIPTION HE, 600 GAL CRADLE, PAN	
SCALE N.S.	PART NO. HE0600-C-1

Copyright. All information furnished within this document, electronic file or design correspondence is the property of Den Hartog Industries, Inc. and shall not be used, disclosed to others or copied without the expressed written consent of Den Hartog Industries, Inc.

FLAT PATTERN



				DRAWN / DATE ADH 11/24/15	MATERIAL 1.) SHEET, 14 GA MILD STEEL
				APPRO. / DATE REH 5/27/16	
REV	DESCRIPTION	BY / DATE	CCN		
ALL DIMENSIONS ARE IN DECIMAL INCHES TOLERANCES UNLESS OTHERWISE SPECIFIED		THIRD ANGLE PROJECTION ANSI 14.5M		SHOT WEIGHT: N.A.	NOTES:
POLYETHYLENE		METAL DECIMAL ± .125" FRACTION ± 1/4" ANGLE ± 1°		SHIPPING WEIGHT: N.A.	
±1% @ 68°F				FINISH: DEBUR	



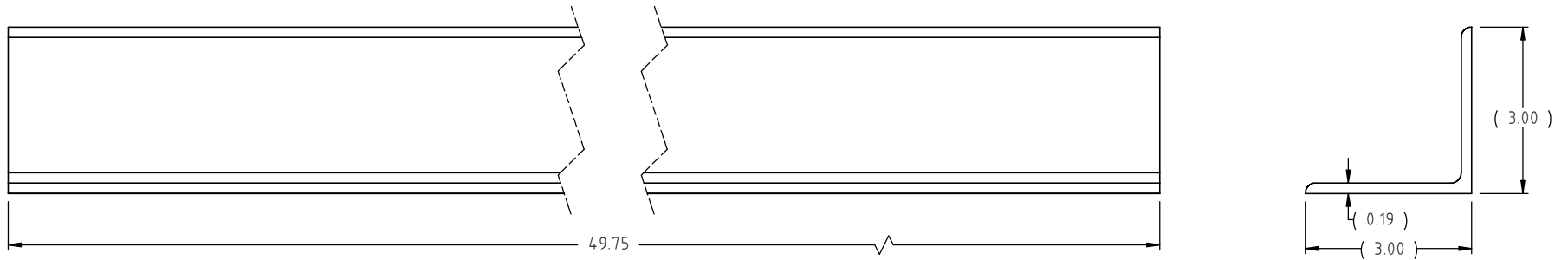
Den Hartog
INDUSTRIES, INC.


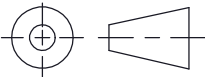
Ace Roto-Mold Injection Molding Blow Molding Sowjoy

4010 HOSPERS DRIVE S. BOX 425, HOSPERS, IOWA 51238-0425

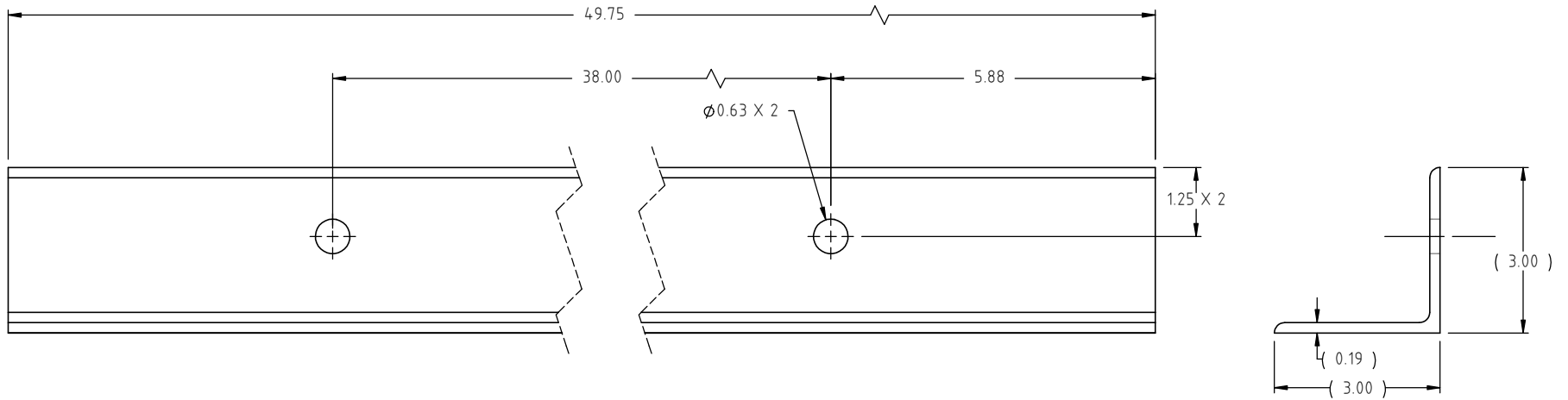
DESCRIPTION HE, 600 GAL CRADLE, SIDE PANEL	
SCALE N.S.	PART NO. HE0600-C-2

Copyright. All information furnished within this document, electronic file or design correspondence is the property of Den Hartog industries, Inc. and shall not be used, disclosed to others or copied without the expressed written consent of Den Hartog Industries, Inc.




				DRAWN / DATE ADH 11/24/15	MATERIAL 1.) ANGLE, 3/16" X 3" MILD STEEL	 <p>Den Hartog INDUSTRIES, INC.</p> <p>Ace Roto-Mold Injection Molding Blow Molding Sowjoy</p> <p>4010 HOSPERS DRIVE S. BOX 425, HOSPERS, IOWA 51238-0425</p>
				APPROD. / DATE REH 5/27/16		
REV	DESCRIPTION	BY / DATE	CCN			
ALL DIMENSIONS ARE IN DECIMAL INCHES TOLERANCES UNLESS OTHERWISE SPECIFIED POLYETHYLENE METAL DECIMAL ± .125" FRACTION ± 1/4" ANGLE ± 1°		THIRD ANGLE PROJECTION ANSI 14.5M 		SHOT WEIGHT: N.A.	NOTES:	DESCRIPTION HE, 600 GAL CRADLE, BASE ANGLE
±1% @ 68°F				SHIPPING WEIGHT: N.A.		
				FINISH: DEBUR		

Copyright. All information furnished within this document, electronic file or design correspondence is the property of Den Hartog Industries, Inc. and shall not be used, disclosed to others or copied without the expressed written consent of Den Hartog Industries, Inc.



				DRAWN / DATE ADH 11/24/15	MATERIAL 1.) ANGLE, 3/16" X 3" MILD STEEL
				APPROD. / DATE REH 5/27/16	
REV	DESCRIPTION	BY / DATE	CCN	SHOT WEIGHT: N.A.	NOTES:
				SHIPPING WEIGHT: N.A.	
				FINISH: DEBUR	



Den Hartog

INDUSTRIES, INC.

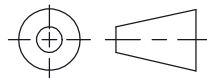
Ace Roto-Mold Injection Molding Blow Molding Sowjoy

4010 HOSPERS DRIVE S. BOX 425, HOSPERS, IOWA 51238-0425

DESCRIPTION HE, 600 GAL CRADLE, BASE ANGLE (HOLES)	
SCALE N.S.	PART NO. HE0600-C-4

ALL DIMENSIONS ARE IN DECIMAL INCHES
TOLERANCES UNLESS OTHERWISE SPECIFIED

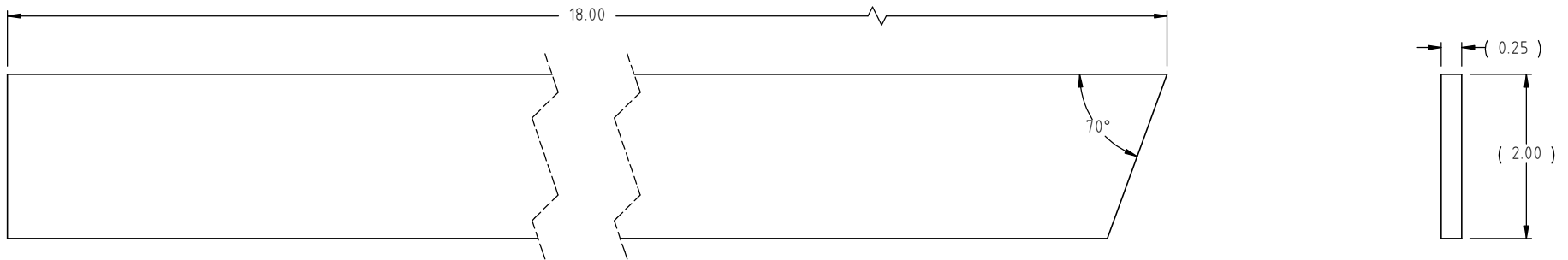
THIRD ANGLE PROJECTION
ANSI 14.5M



POLYETHYLENE
±1% @ 68°F

METAL
DECIMAL ± .125"
FRACTION ± 1/4"
ANGLE ± 1°

Copyright. All information furnished within this document, electronic file or design correspondence is the property of Den Hartog industries, Inc. and shall not be used, disclosed to others or copied without the expressed written consent of Den Hartog Industries, Inc.



				DRAWN / DATE ADH 11/24/15	MATERIAL 1.) FLAT, 1/4" X 2" MILD STEEL
				APPRD. / DATE REH 5/27/16	
REV	DESCRIPTION	BY / DATE	CCN		
ALL DIMENSIONS ARE IN DECIMAL INCHES TOLERANCES UNLESS OTHERWISE SPECIFIED		THIRD ANGLE PROJECTION ANSI 14.5M		SHOT WEIGHT: N.A.	NOTES:
POLYETHYLENE	METAL DECIMAL ± .125" FRACTION ± 1/4" ANGLE ± 1°	±1% @ 68°F		SHIPPING WEIGHT: N.A.	
				FINISH: DEBUR	



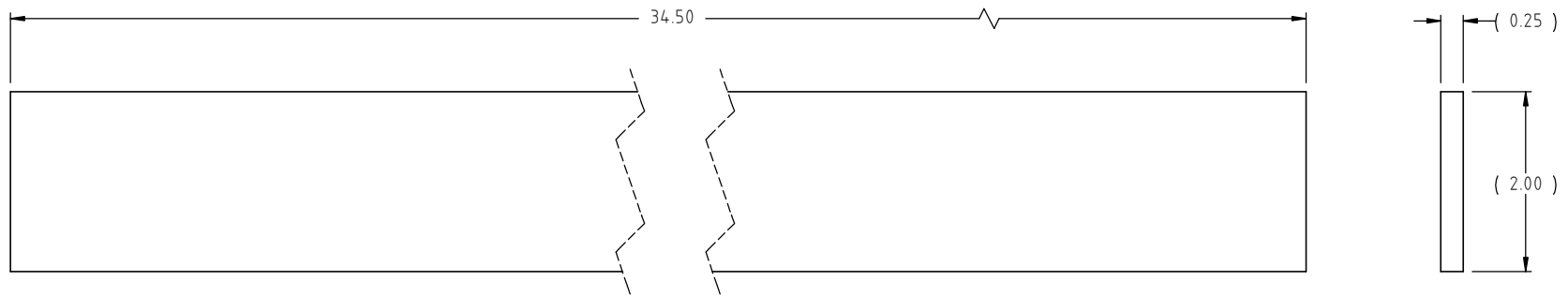
Den Hartog
INDUSTRIES, INC.


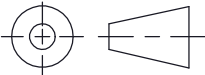
Ace Roto-Mold Injection Molding Blow Molding Sowjoy

4010 HOSPERS DRIVE S. BOX 425, HOSPERS, IOWA 51238-0425

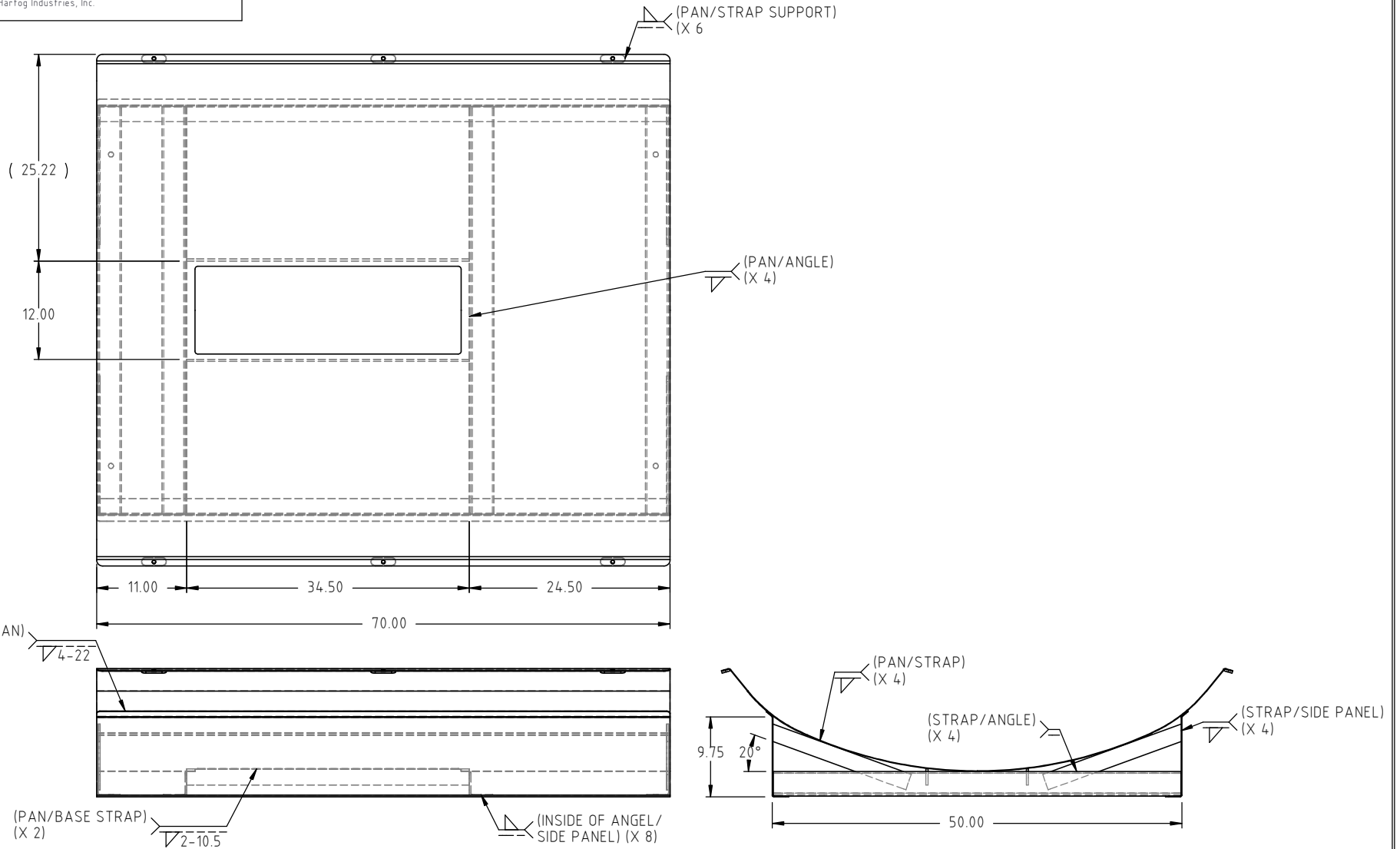
DESCRIPTION HE, 600 GAL CRADLE, SUPPORT STRAP	
SCALE N.S.	PART NO. HE0600-C-5

Copyright. All information furnished within this document, electronic file or design correspondence is the property of Den Hartog industries, Inc. and shall not be used, disclosed to others or copied without the expressed written consent of Den Hartog Industries, Inc.




				DRAWN / DATE ADH 11/24/5	MATERIAL 1.) FLAT, 1/4" X 2" MILD STEEL	 <p>Den Hartog INDUSTRIES, INC.</p> <p>Ace Roto-Mold Injection Molding Blow Molding Sowjoy</p> <p>4010 HOSPERS DRIVE S. BOX 425, HOSPERS, IOWA 51238-0425</p>	
				APPRO. / DATE REH 5/27/16			
REV	DESCRIPTION	BY / DATE	CCN				
ALL DIMENSIONS ARE IN DECIMAL INCHES TOLERANCES UNLESS OTHERWISE SPECIFIED		THIRD ANGLE PROJECTION ANSI 14.5M		SHOT WEIGHT: N.A.	NOTES:	DESCRIPTION HE, 600 GAL CRADLE, BASE FLAT BAR	
POLYETHYLENE	METAL DECIMAL ± .125" FRACTION ± 1/4" ANGLE ± 1°			SHIPPING WEIGHT: N.A.		SCALE N.S.	PART NO. HE0600-C-6
±1% @ 68°F				FINISH: DEBUR			

Copyright. All information furnished within this document, electronic file or design correspondence is the property of Den Hartog Industries, Inc. and shall not be used, disclosed to others or copied without the expressed written consent of Den Hartog Industries, Inc.



				DRAWN / DATE ADH 11/24/15	MATERIAL
				APPRO. / DATE REH 5/27/16	
REV	DESCRIPTION	BY / DATE	CCN		
ALL DIMENSIONS ARE IN DECIMAL INCHES TOLERANCES UNLESS OTHERWISE SPECIFIED		THIRD ANGLE PROJECTION ANSI 14.5M		SHOT WEIGHT: N.A.	NOTES:
POLYETHYLENE ±1% @ 68°F		METAL DECIMAL ± .125" FRACTION ± 1/4" ANGLE ± 1°		SHIPPING WEIGHT:	
		FINISH:			



Den Hartog

INDUSTRIES, INC.

Ace Roto-Mold Injection Molding Blow Molding Sowjoy

4010 HOSPERS DRIVE S. BOX 425, HOSPERS, IOWA 51238-0425

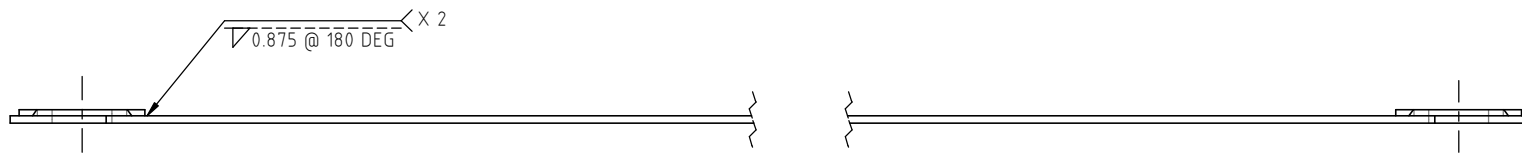
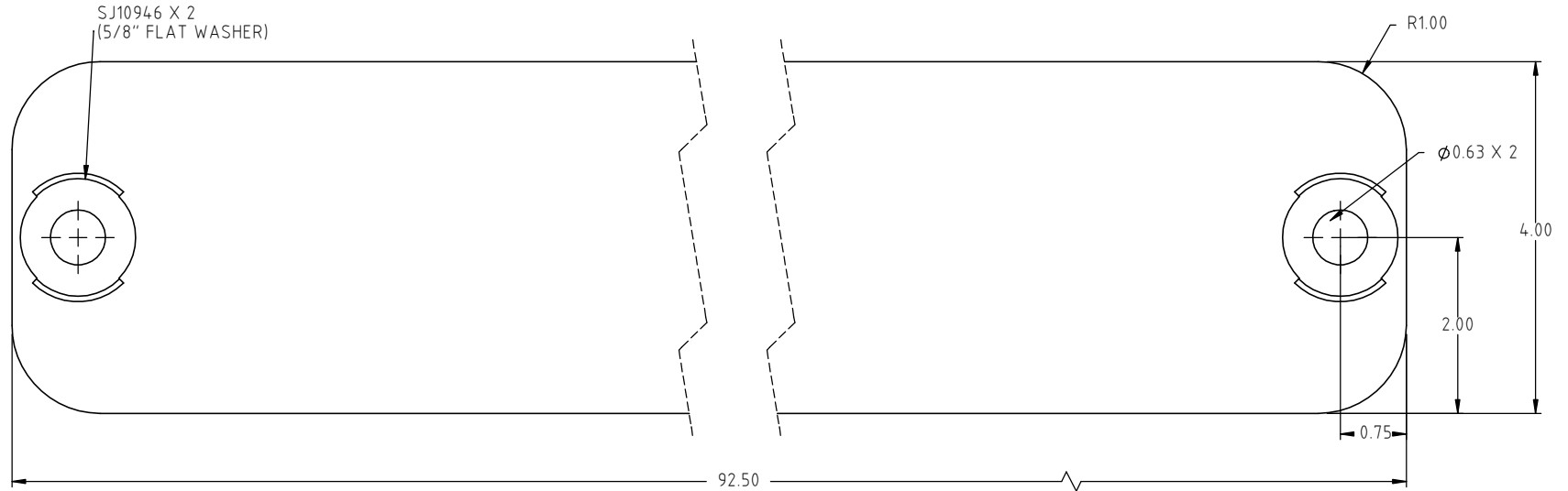
DESCRIPTION 600 GALLON ELLIPTICAL TANK CRADLE ASSEMBLY WELDMENT	
SCALE N.S.	PART NO. HE0600-C-WELDMENT

© DEN HARTOG INDUSTRIES, INC.

HE0600-

Copyright. All information furnished within this document, electronic file or design correspondence is the property of Den Hartog industries, Inc. and shall not be used, disclosed to others or copied without the expressed written consent of Den Hartog Industries, Inc.

PART NUMBER	POWDER COAT COLOR
HE0600-SBPS	SILVER
HE0600-SBPBKS	BLACK



				DRAWN / DATE ADH 11/24/15	MATERIAL 14 GA MILD STEEL
				APPROD. / DATE REH 5/27/16	
REV	DESCRIPTION	BY / DATE	CCN		
ALL DIMENSIONS ARE IN DECIMAL INCHES TOLERANCES UNLESS OTHERWISE SPECIFIED		THIRD ANGLE PROJECTION ANSI 14.5M		SHOT WEIGHT:	NOTES:
POLYETHYLENE ±1% @ 68°F		METAL DECIMAL ± .125" FRACTION ± 1/4" ANGLE ± 1°		SHIPPING WEIGHT: 8.00 LBS	
				FINISH: SEE TABLE	



Den Hartog
INDUSTRIES, INC.

Ace Roto-Mold Injection Molding Blow Molding Sowjoy

4010 HOSPERS DRIVE S. BOX 425, HOSPERS, IOWA 51238-0425

DESCRIPTION
STEEL BAND FOR 600 GALLON ELLIPTICAL TANKS

SCALE
N.S.

PART NO.
HE0600-