

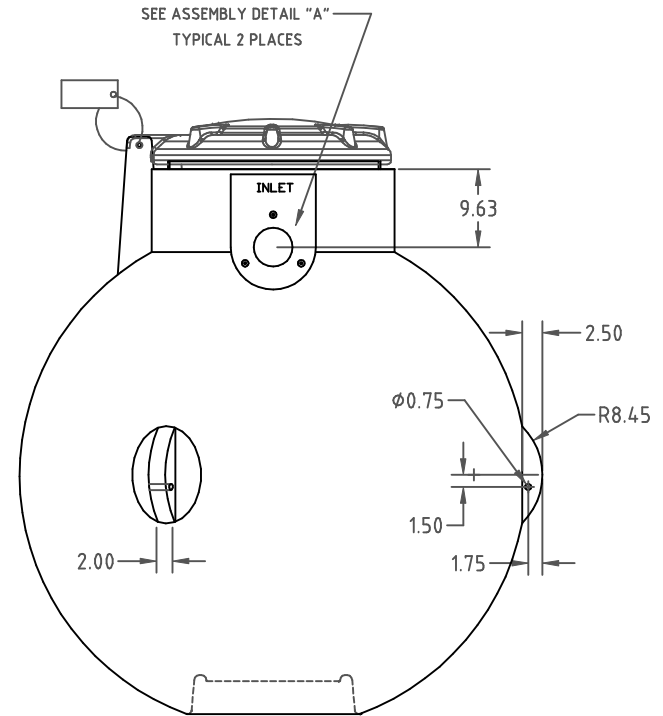
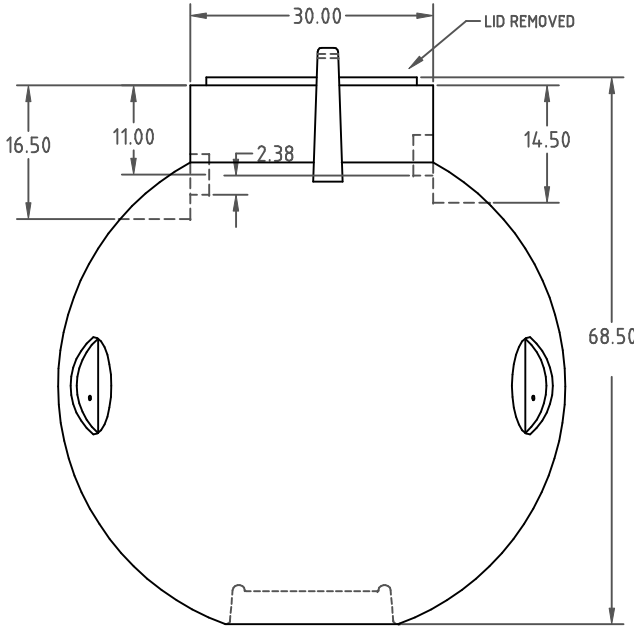
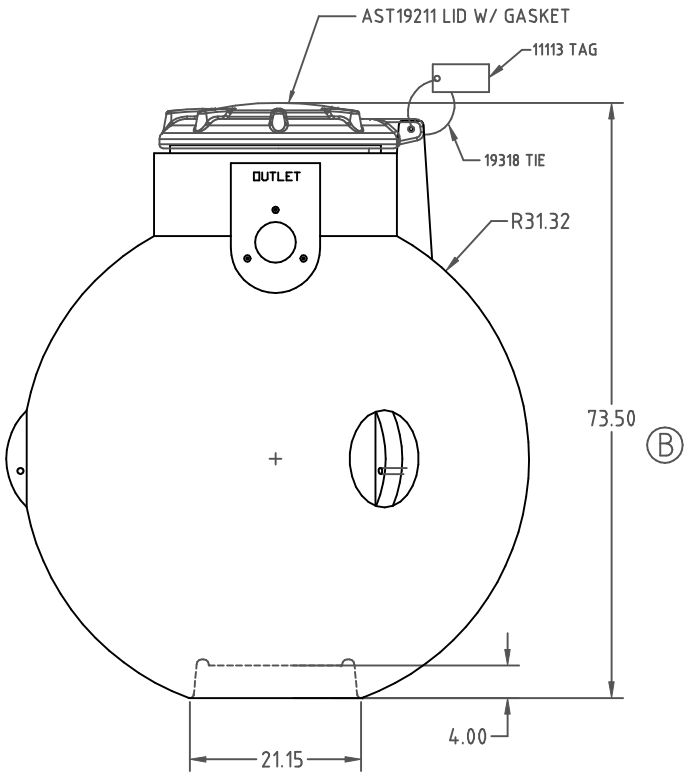
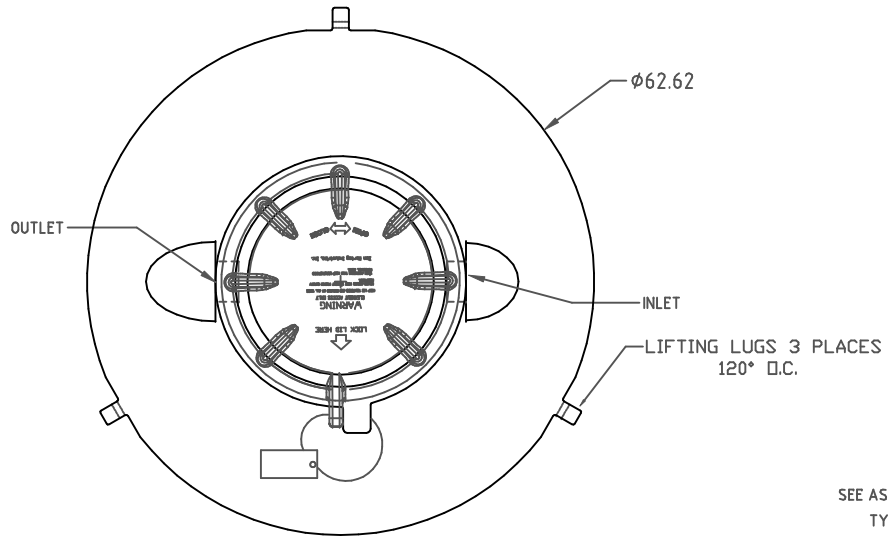
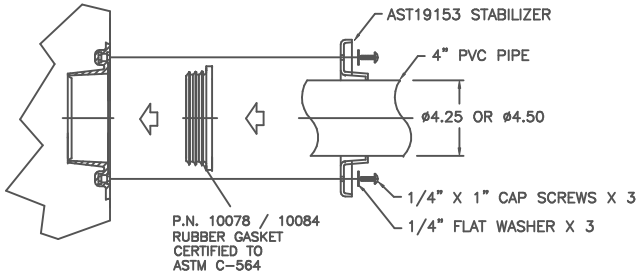
PROPRIETARY DATA

PROPERTY OF ACE ROTO-MOLD MFG., INC. INFORMATION FURNISHED HEREIN IS THE PROPERTY OF ACE ROTO-MOLD MFG., INC. AND SHALL NOT BE USED, DISCLOSED TO OTHERS, OR COPIED WITHOUT THE EXPRESSED WRITTEN CONSENT OF ACE ROTO-MOLD MFG., INC. ALL RIGHTS RESERVED.

AST-0500-1


B

ASSEMBLY DETAIL "A"



SHIPPING WEIGHT = 197 LB.

| | | | | | |
|--|----------------------|-------------|-----|--------------------------------------|-------------------|
| | | | | DRAWN / DATE DHJ 9/19/06 | SHOT WEIGHT |
| B | ADD 10 LBS. | 8/30/07 | DHJ | | Ⓐ 180 LBS. YELLOW |
| A | ADD 4 INCHES TO MOLD | 8/30/07 | DHJ | APPRD. / DATE REH 7/25/07 | |
| REV | DESCRIPTION | DATE APPRD. | CCN | | |
| ALL DIMENSIONS ARE IN DECIMAL INCHES TOLERANCES UNLESS OTHERWISE SPECIFIED ± 1% @ 68 F | | | | THIRD ANGLE PROJECTION ANSI 14.5M | NOTES : |

 **Ace Roto-Mold**
A DIVISION OF DEN HARTOG INDUSTRIES, INC.

CLIENT / DESCRIPTION
500 GALLON PUMP TANK

SCALE NONE PART NO. AST-0500-1