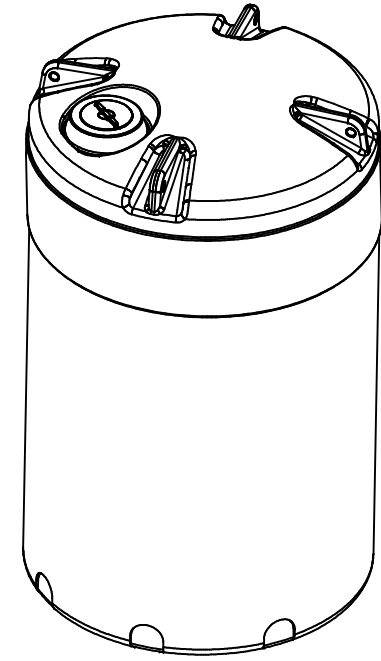
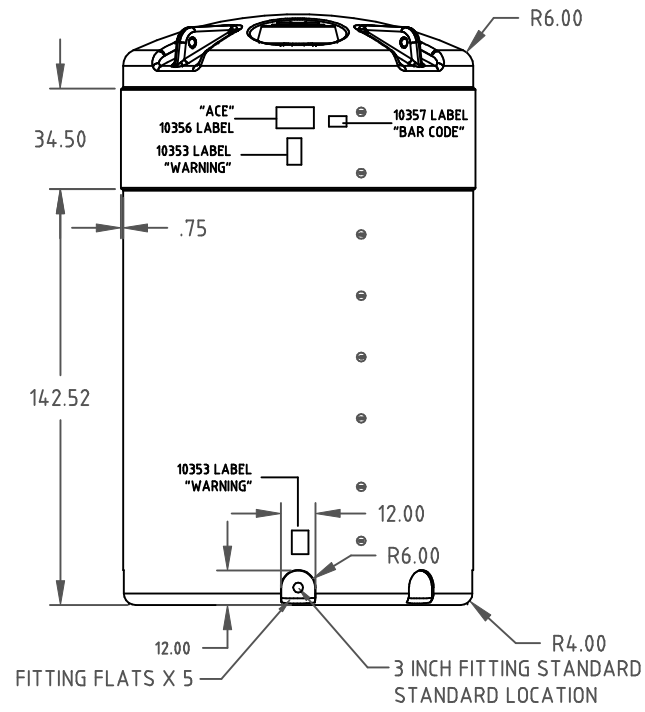
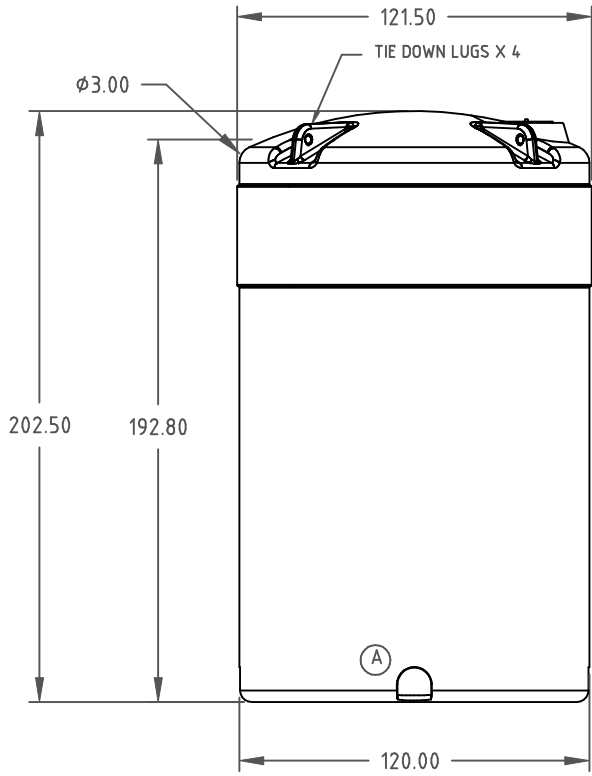
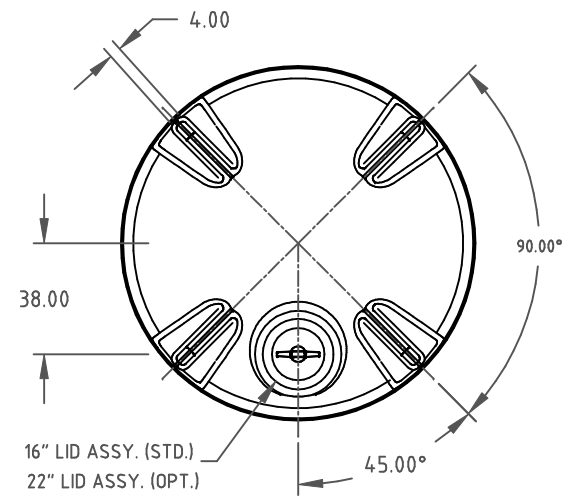



Copyright. All information furnished within this document, electronic file or design correspondence is the property of Den Hartog Industries, Inc. and shall not be used, disclosed to others or copied without the expressed written consent of Den Hartog Industries, Inc.



REV	DESCRIPTION	BY / DATE	CCN
B	ADD 3" STANDARD FITTING AND STANDARD LOCATION	DHJ 4/1/10	2013
A	CORRECT VIEW PERSPECTIVE. DRAWING TEMPLATE UPDATED	DHJ 6/25/09	1895
ALL DIMENSIONS ARE IN DECIMAL INCHES TOLERANCES UNLESS OTHERWISE SPECIFIED		THIRD ANGLE PROJECTION ANSI 14.5M	
POLYETHYLENE		METAL	
±1% @ 68° F		DECIMAL ± .125" FRACTION ± 1/4" ANGLE ± 1°	

DRAWN / DATE	MATERIAL
DHJ/1/25/02	1.) 10538 2 MELT
APPRD. / DATE	
REH/1/25/02	
SHOT WEIGHT:	NOTES:
2200 LBS	1. 1.14 WALL@ FLAT
SHIPPING WEIGHT:	
2202 LBS	
FINISH:	



Den Hartog

INDUSTRIES, INC.

Ace Roto-Mold Injection Molding Blow Molding SowJoy

4010 HOSPERS DRIVE S. BOX 425, HOSPERS, IOWA 51238-0425

DESCRIPTION	9150 GALLON VERTICAL TANK	
SCALE	N.S.	PART NO. VT9150-120