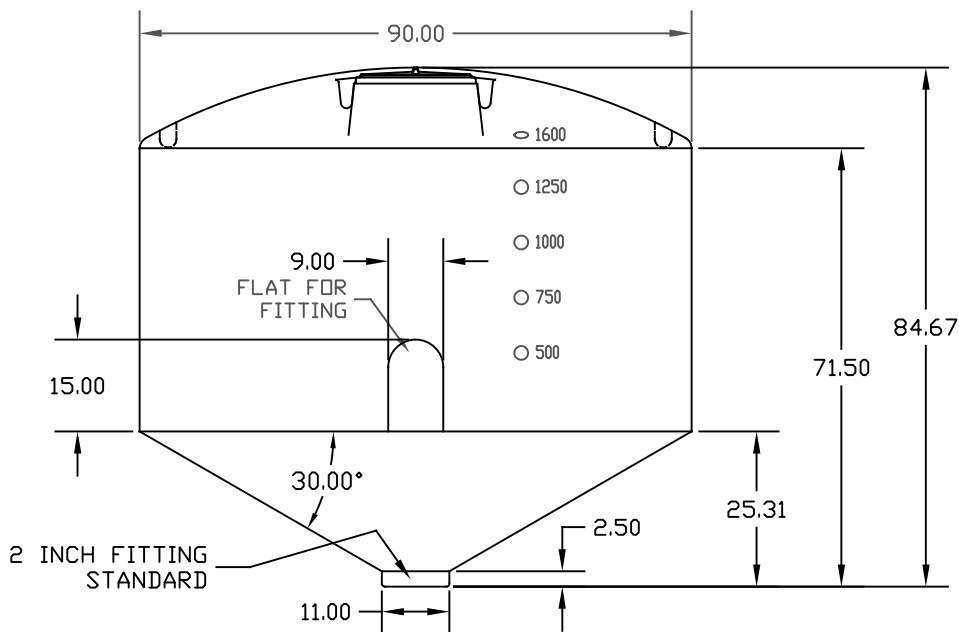
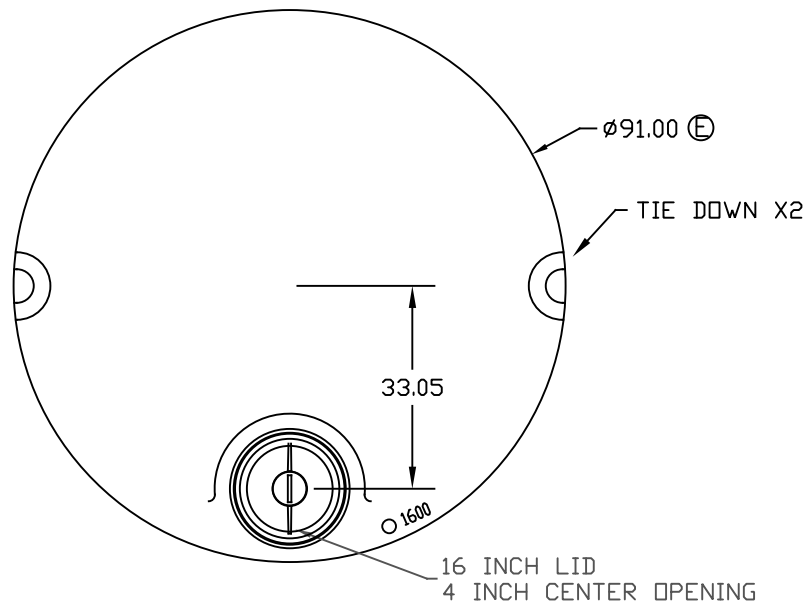


PROPERTY OF DEN HARTOG INDUSTRIES, INC. INFORMATION FURNISHED HEREIN IS THE PROPERTY OF DEN HARTOG INDUSTRIES, INC. AND SHALL NOT BE USED, DISCLOSED TO OTHERS, OR COPIED WITHOUT THE EXPRESSED WRITTEN CONSENT OF DEN HARTOG INDUSTRIES, INC. ALL RIGHTS RESERVED.



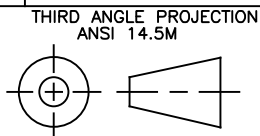
E	WAS 90	5-11-17	DHJ	3385
D	ISOLATED STAND AND TANK	6/6/06	NVE	
C	ADDED HEIGHT DIMENSIONS	4/11/06		
B	CHANGE SUMP	3/9/06		
A	CHANGE DIM BASE	4/9/03		
REV	DESCRIPTION	DATE	APPRD	CCN

DRAWN / DATE DHJ 3/10/03	MATERIAL MDPE OR EQUIVALENT REFERENCE MATERIAL DATA SHEET FOR SPECIFIC PROPERTIES.
APPRD. / DATE REH 4/18/07	

**ACE ROTO-MOLD**  
A DIVISION OF DEN HARTOG INDUSTRIES, INC.  
4010 HWY. 60 BLVD, BOX 425, HOSPERS, IOWA 51238

CLIENT / DESCRIPTION  
**1600 GALLON CONE BOTTOM TANK**

ALL DIMENSIONS ARE IN DECIMAL INCHES  
TOLERANCES UNLESS OTHERWISE SPECIFIED  
± 1% @ 68° F



- NOTES:
- NOM. WALL @ .326
  - SHOT WEIGHT 284 LBS.

SCALE  
N.S.

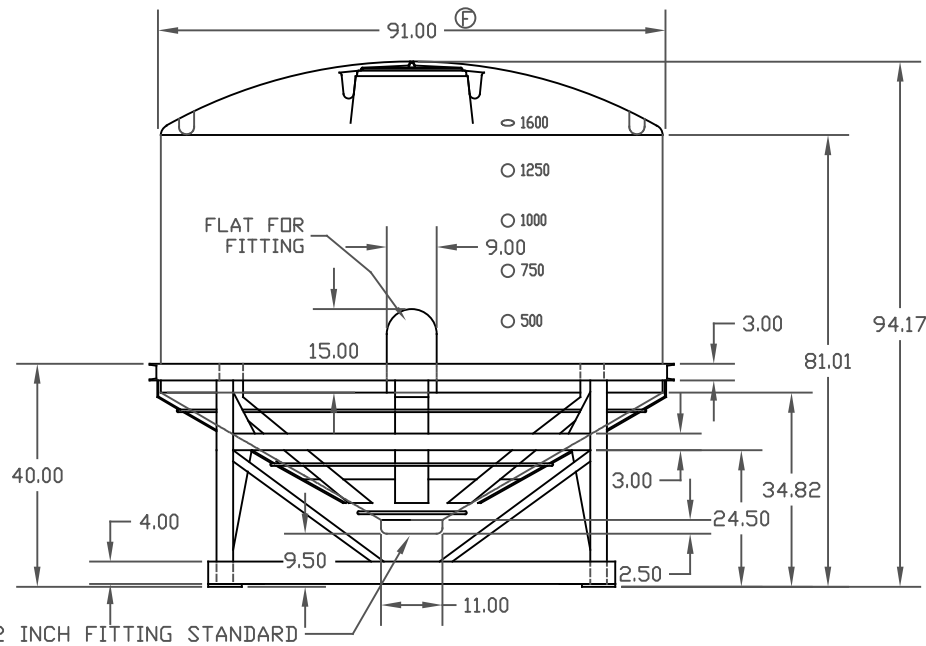
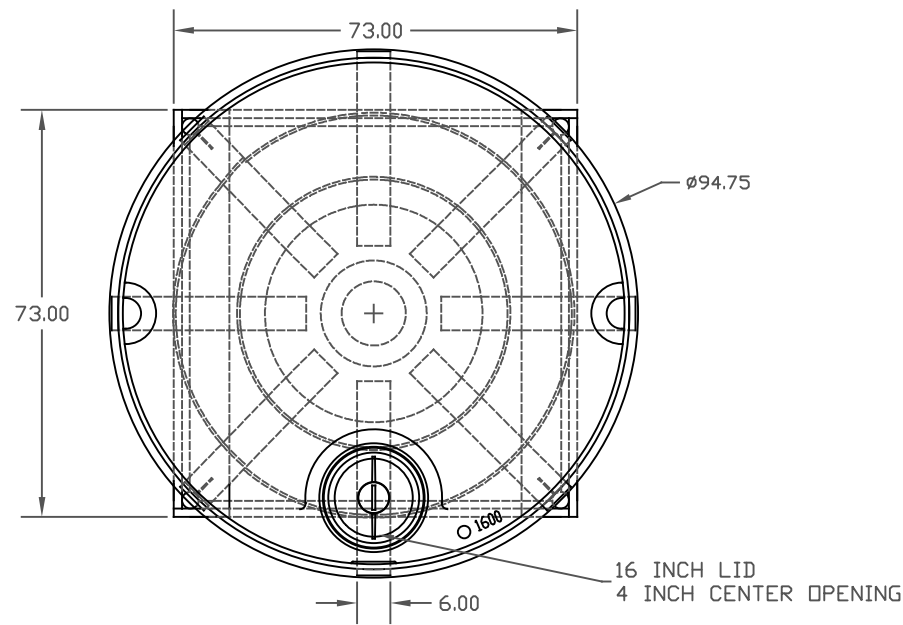
PART NO.  
CB1600-90

PROPRIETARY DATA

PROPERTY OF DEN HARTOG INDUSTRIES, INC. INFORMATION FURNISHED HEREIN IS THE PROPERTY OF DEN HARTOG INDUSTRIES, INC. AND SHALL NOT BE USED, DISCLOSED TO OTHERS, OR COPIED WITHOUT THE EXPRESSED WRITTEN CONSENT OF DEN HARTOG INDUSTRIES, INC. ALL RIGHTS RESERVED.

CB1600-90/90-30ST

F

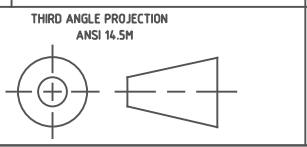


F	WAS 90	5/11/17	DHJ	3385
E	REMOVE TOL. 1% @ 68° F	3/9/07	GWC	
D	CHANGED PART NUMBER	6/6/06	NVE	
C	ADDED HEIGHT DIMENSIONS	4/11/06		
B	CHANGE SUMP	3/9/06		
A	CHANGE DIM BASE	4/9/03		
REV	DESCRIPTION	DATE	APPRD	CCN

DRAWN / DATE DHJ 3/10/03	MATERIAL TANK: MDPE OR EQUIVALENT STAND: POWDER COATED STEEL
APPRD. / DATE REH 4/18/07	

**ACE ROTO-MOLD**  
A DIVISION OF DEN HARTOG INDUSTRIES, INC.  
4010 HWY. 60 BLVD., BOX 425, HOSPERS, IOWA 51238

CLIENT / DESCRIPTION	1600 GALLON CONE BOTTOM TANK AND STAND	
SCALE	N.S.	PART NO. CB1600-90/90-30ST



NOTES:  
1. TANK WEIGHT 284 LBS.  
2. STAND WEIGHT 640 LBS.

ALL DIMENSIONS ARE IN DECIMAL INCHES  
TOLERANCES UNLESS OTHERWISE SPECIFIED