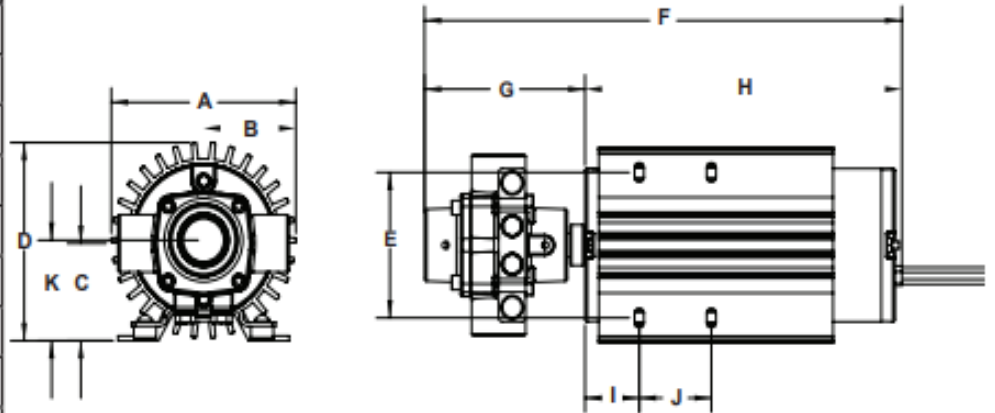


Pump Technical Data

Motorized

Pump Dimensions		
Dim.	Inch	mm
A	5.12	130
B	2.56	65
C	2.54	64
D	5.17[5.15]	131[130]
E	3.8	97
F	13.24[11.91]	336[302]
G	4.45	113
H	8.79[7.45]	223[189]
I	1.5	38
J	2	51
K	2.63	67



4001N-EH, 4001XL-EH, 4001N-E2H, 4001XL-E2H

Pump	Rollers:	Max. Flow Rate (GPM [LPM]):	Max. Pressure (PSI [BAR]):	Max RPM	Voltage	Ports:	Shaft:	Continuous Operation (PSI [BAR]):	Intermittent Operation (PSI [BAR]):	Dry Weight (LBS [KG])	Minimum Horsepower Requirement	Mounting bolts
4001N-EH	4	10.4 [39.4]	35 [2.4]	1900	12-13.5VDC	1/2" NPT Inlet & Outlet	1/2" Dia. (Hollow)	25 [1.7]	35 [2.4]	16-18 [7.3-8.2]	N/A	4 X 1/4-20 UNC
4001XL-EH												
4001N-E2H		9.8 [37.2]	60 [4.1]	1600				50 [3.5]	60 [4.1]			
4001XL-E2H												

Model 4001N-EH & 4001XL-EH (Imperial)

Volts	PSI	GPM	AMPS	Volts	PSI	GPM	AMPS
12.0 (Battery) Engine off	0	9.4	14.8	13.5 (Alternator) Engine Running	0	10.4	17.1
	5	9.0	16.4		5	10.3	17.5
	10	8.6	18.0		10	9.9	19.0
	15	8.1	20.1		15	9.4	21.5
	20	7.5	23.1		20	8.9	23.8
	25	6.9	25.3		25	8.4	26.8
	30	6.1	28.5*		30	7.8	29.6*
	35	5.8	30.3*		---	---	---

Model 4001N-EH & 4001XL-EH (Metric)

Volts	BAR	LPM	AMPS	Volts	BAR	LPM	AMPS
12.0 (Battery) Engine off	0	35.6	14.8	13.5 (Alternator) Engine Running	0	39.4	17.1
	0.3	34.1	16.4		0.3	39.0	17.5
	0.7	32.6	18.0		0.7	37.5	19.0
	1.0	30.7	20.1		1.0	35.6	21.5
	1.4	28.4	23.1		1.4	33.7	23.8
	1.7	26.1	25.3		1.7	31.8	26.8
	2.1	23.1	28.5*		2.1	29.5	29.6*
	2.4	22.0	30.3*		---	---	---

Model 4001N-EH & 4001XL-EH (Imperial)

Volts	PSI	GPM	AMPS	Volts	PSI	GPM	AMPS
12.0 (Battery) Engine off	0	9.4	14.8	13.5 (Alternator) Engine Running	0	10.4	17.1
	5	9.0	16.4		5	10.3	17.5
	10	8.6	18.0		10	9.9	19.0
	15	8.1	20.1		15	9.4	21.5
	20	7.5	23.1		20	8.9	23.8
	25	6.9	25.3		25	8.4	26.8
	30	6.1	28.5*		30	7.8	29.6*
	35	5.8	30.3*		---	---	---

Model 4001N-EH & 4001XL-EH (Metric)

Volts	BAR	LPM	AMPS	Volts	BAR	LPM	AMPS
12.0 (Battery) Engine off	0	35.6	14.8	13.5 (Alternator) Engine Running	0	39.4	17.1
	0.3	34.1	16.4		0.3	39.0	17.5
	0.7	32.6	18.0		0.7	37.5	19.0
	1.0	30.7	20.1		1.0	35.6	21.5
	1.4	28.4	23.1		1.4	33.7	23.8
	1.7	26.1	25.3		1.7	31.8	26.8
	2.1	23.1	28.5*		2.1	29.5	29.6*
	2.4	22.0	30.3*		---	---	---