

PROPRIETARY DATA

PROPERTY OF ACE ROTO-MOLD MFG., INC. INFORMATION FURNISHED HEREIN IS THE PROPERTY OF ACE ROTO-MOLD MFG., INC. AND SHALL NOT BE USED, DISCLOSED TO OTHERS, OR COPIED WITHOUT THE EXPRESSED WRITTEN CONSENT OF ACE ROTO-MOLD MFG., INC. ALL RIGHTS RESERVED.

10035

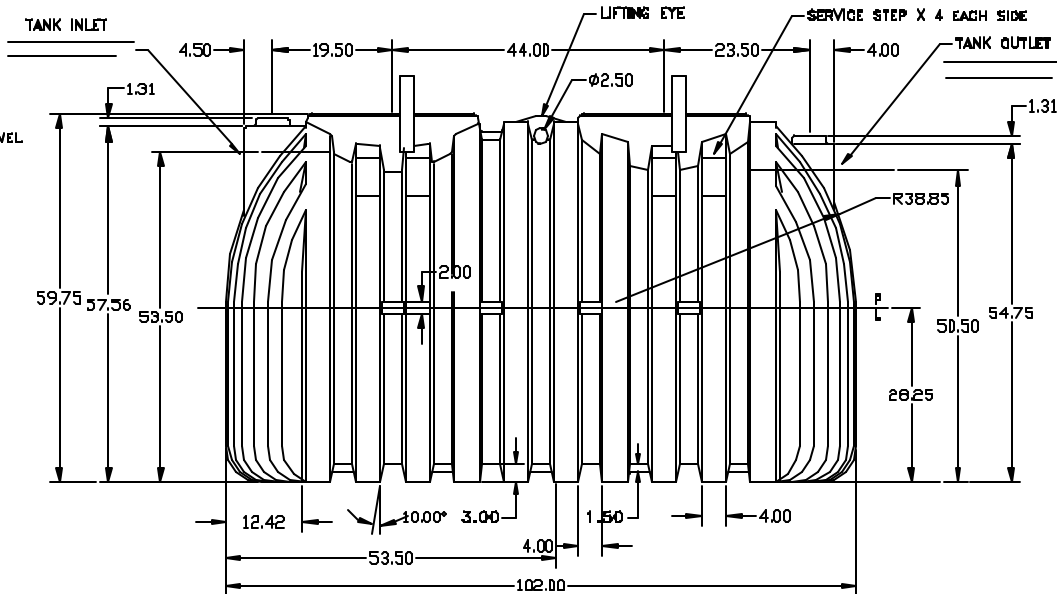
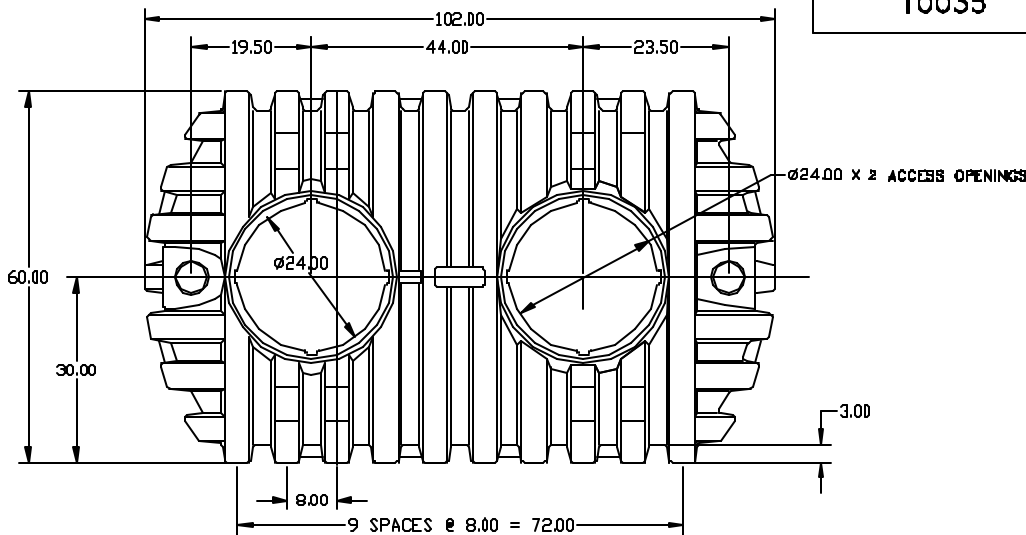
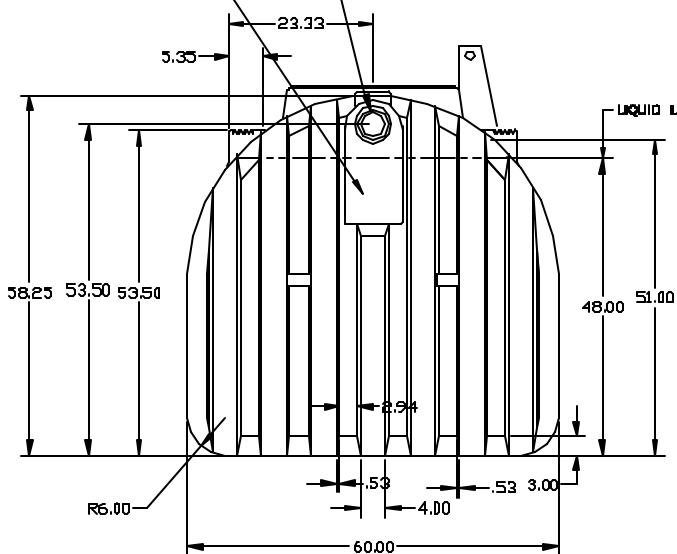
B

B REFERENCE PUBLICATION 10039 FOR SEPTIC TANKS OR PUBLICATION 10149 FOR CISTERN TANKS FOR SPECIFIC INSTALLATION GUIDELINES.

TANK CAPACITY _____
 DATE OF MANUFACTURE _____
 DATE OF ASSEMBLY _____
 SERIAL NUMBER _____
 STATE / LOCATION _____

ENGRAVING ON OUTLET
 END OF TANK ONLY.

GASKET HUB X 2 - REF. DIAGRAM E DWG. 10035A



DRAWN / DATE VE REH / 11/1/97		MATERIAL MOBIL 111 HDPE OR EQUIVALENT REFERENCE MATERIAL DATA SHEET FOR SPECIFIC PROPERTIES.		ACE ROTO-MOLD A DIVISION OF DEN HARTOG INDUSTRIES, INC. 4018 HWY. 60 BLVD., BOX 421, HOSPERS, IOWA 51238	
APPROD. / DATE REH / 11/1/97		NOTES: 1. NOM. WALL ϕ .280 2. YELLOW COLOR 3. SHOT WEIGHT 382 LBS.			
REV	DESCRIPTION	DATE	APPRD	CLIENT / DESCRIPTION 1000 GAL. SEPTIC TANK SHELL NEW STLE LID	
ALL DIMENSIONS ARE IN DECIMAL INCHES TOLERANCES UNLESS OTHERWISE SPECIFIED $\pm 1\% \phi 68" F$				SCALE N.S.	
THIRD ANGLE PROJECTION ANSI 14.5M 				PART NO. AST-1000-1	