

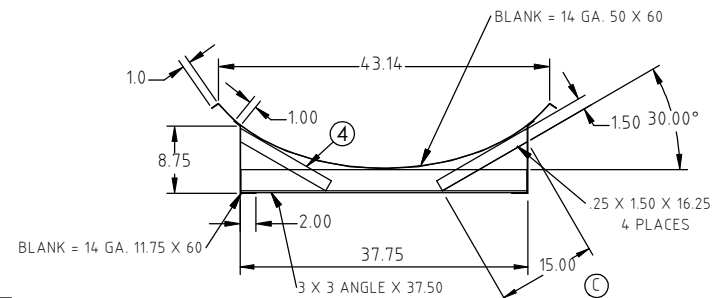
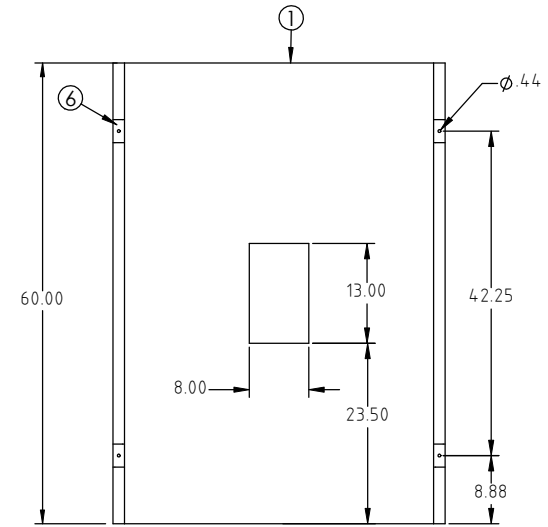
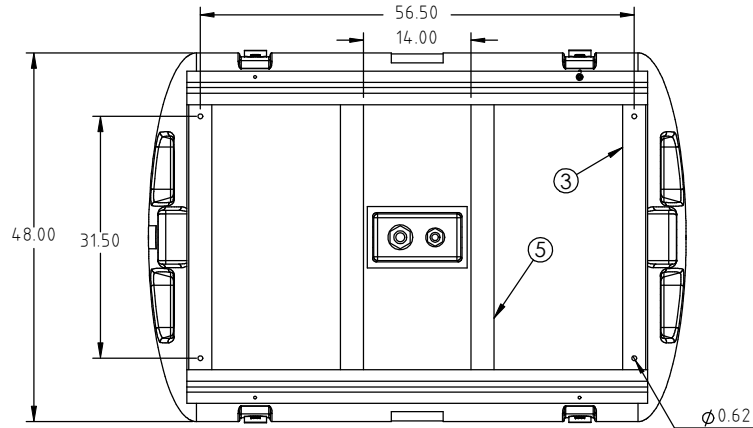
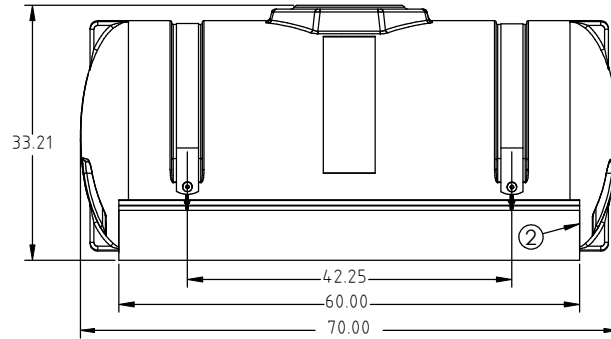
PROPRIETARY DATA

HE0300-C

C

PROPERTY OF ACE ROTO-MOLD MFG., INC. INFORMATION FURNISHED HEREIN IS THE PROPERTY OF ACE ROTO-MOLD MFG., INC. AND SHALL NOT BE USED, DISCLOSED TO OTHERS, OR COPIED WITHOUT THE EXPRESSED WRITTEN CONSENT OF ACE ROTO-MOLD MFG., INC. ALL RIGHTS RESERVED.

KEY	PART NUMBER	MATERIAL	DESCRIPTION	QTY.
1	HE0300-C-1	S-14GA	SHEET, 14GA	60" X 50" (3000 SI)
2	HE0300-C-2	S-14GA	SHEET, 14GA	2 @ 11.75" X 60" (1410 SI)
3	HE0300-C-3	A01875X30000	ANGLE, 3/16" X 3"	4 @ 37.5 IN (150 IN) (HOLES INCLUDED)
4	HE0300-C-4	B02500X15000	FLAT, 1/4" X 1.5"	4 @ 15 IN (60 IN)
5	HE0300-C-5	A01875X30000	ANGLE, 3/16" X 3" (HOLES)	2
6	SJHZ0230C-4	B02500X10000	FLAT, 1/4" X 1"	4

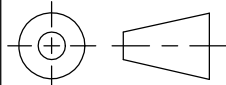


C	DRAWING DIMENSION 15.00 WAS 16.24	ADH 2/4/08	1585	DRAWN / DATE	MATERIAL
B	REMOVE TOLERANCE	GWC 3/13/07		ADH 7/20/07	
A	CHANGE PART #	4/10/06		APPRD. / DATE	NOTES:
REV	DESCRIPTION	BY / DATE		REH 10/5/07	

ALL DIMENSIONS ARE IN DECIMAL INCHES TOLERANCES UNLESS OTHERWISE SPECIFIED

DECIMAL ± .125"
FRACTION ± 1/4"
ANGLE ± 1°

THIRD ANGLE PROJECTION
ANSI 14.5M



Den Hartog
INDUSTRIES, INC.

Ace Roto-Mold Injection Molding Blow Molding Sowjoy

4010 HOSPERS DRIVE S. BOX 425, HOSPERS, IOWA 51238-0421

DESCRIPTION
ACE 300 GALLON ELLIPTICAL TANK AND CRADLE ASSEMBLY

SCALE N.S.

PART NO. HE0300-C