

© DEN HARTOG INDUSTRIES, INC.

ACT2500-LPG

Copyright. All information furnished within this document, electronic file or design correspondence is the property of Den Hartog industries, Inc. and shall not be used, disclosed to others or copied without the expressed written consent of Den Hartog Industries, Inc.

CAUTION LABEL 19463

CAUTION

DO NOT OVER TIGHTEN BOLTS

SNUG UP ALL BOLTS THEN EVENLY TORQUE EACH BOLT TO 10 FT. LB. FAILURE TO HEED MAY RESULT IN BOLT FAILURE AND TANK LEAKAGE

CAUTION LABEL 19471

CAUTION

28" MAXIMUM BURIAL DEPTH TO HERE

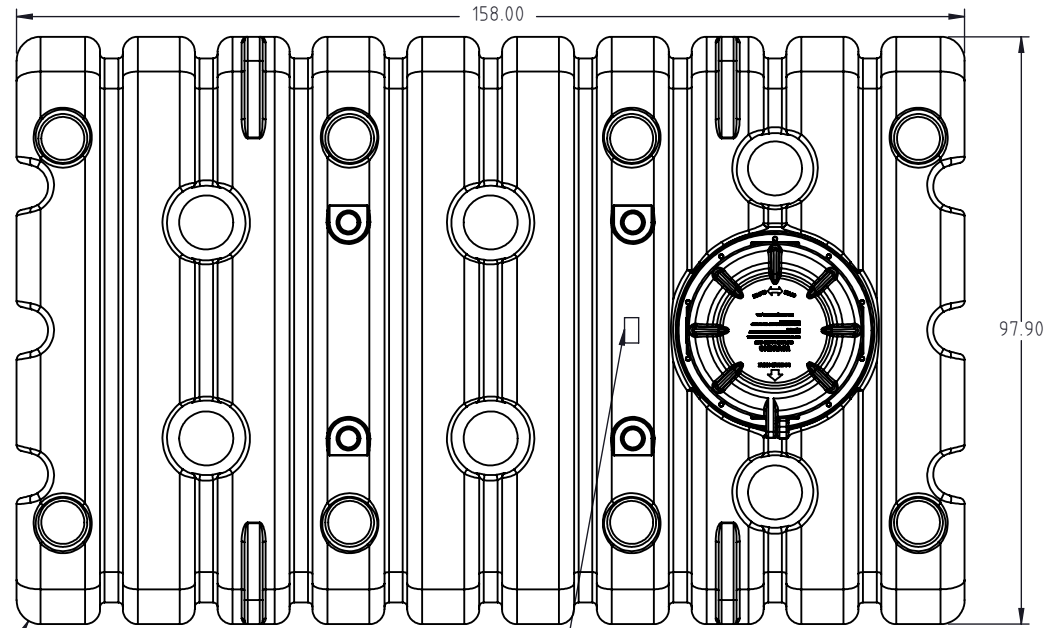
FAILURE TO HEED MAY RESULT IN TANK FAILURE

19471

SEE PRINT 19481 FOR LID INSTALLATION GUIDELINES

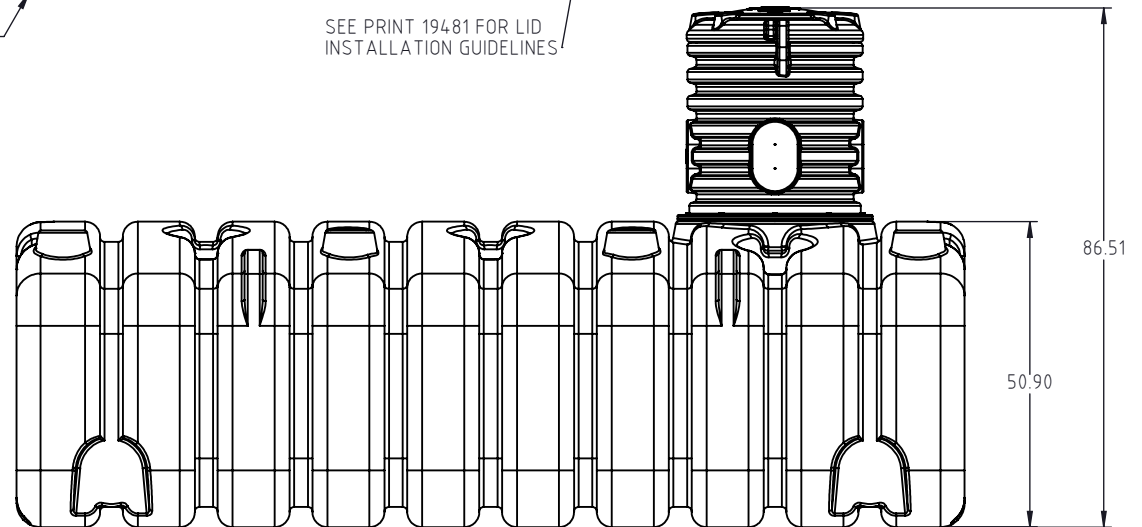
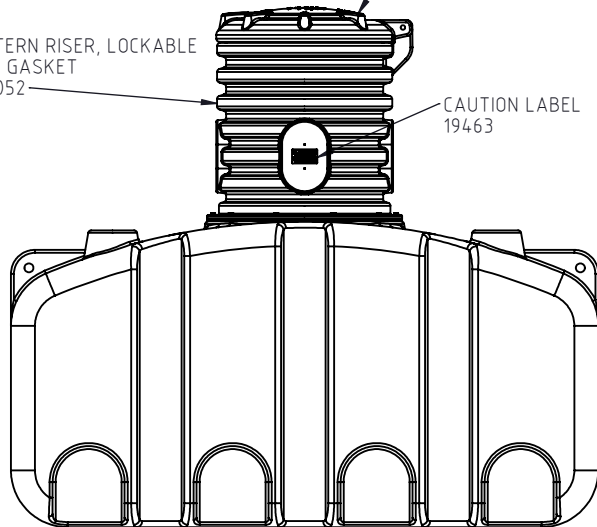
28" CISTERN RISER, LOCKABLE LID AND GASKET ACT-16052

CAUTION LABEL 19463



R4.00

SEE PRINT 19481 FOR LID INSTALLATION GUIDELINES



REV	DESCRIPTION	BY / DATE	CCN	DRAWN / DATE ADH 4/8/10	MATERIAL
				APPRO. / DATE REH 4/14/10	
ALL DIMENSIONS ARE IN DECIMAL INCHES TOLERANCES UNLESS OTHERWISE SPECIFIED		THIRD ANGLE PROJECTION ANSI 14.5M	SHOT WEIGHT:	NOTES:	
POLYETHYLENE			SHIPPING WEIGHT: 1067.00 LBS		
METAL DECIMAL ± .125" FRACTION ± 1/4" ANGLE ± 1°			FINISH:		
±1% @ 68°F					



Den Hartog
INDUSTRIES, INC.

Ace Roto-Mold Injection Molding Blow Molding Sowjoy

4010 HOSPERS DRIVE S. BOX 425, HOSPERS, IOWA 51238-0425

DESCRIPTION 2500 GALLON LOW PROFILE CISTERN WITH GROUND ACCESS ASSEMBLY	
SCALE N.S.	PART NO. ACT2500-LPG